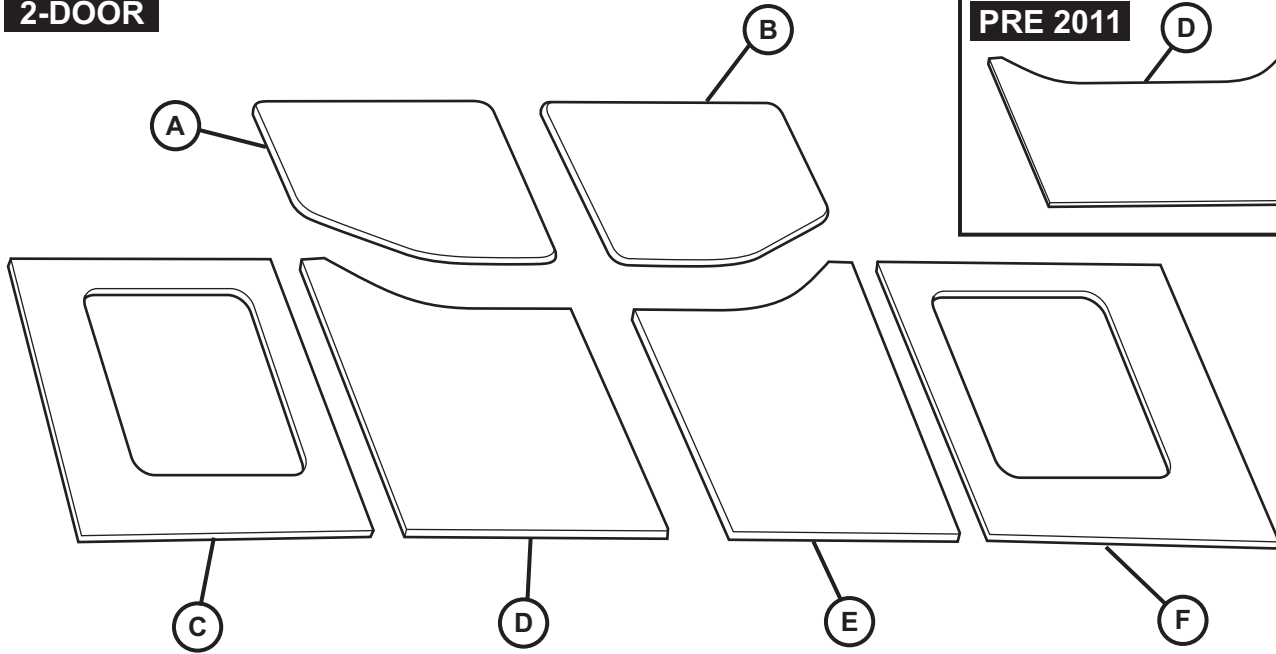




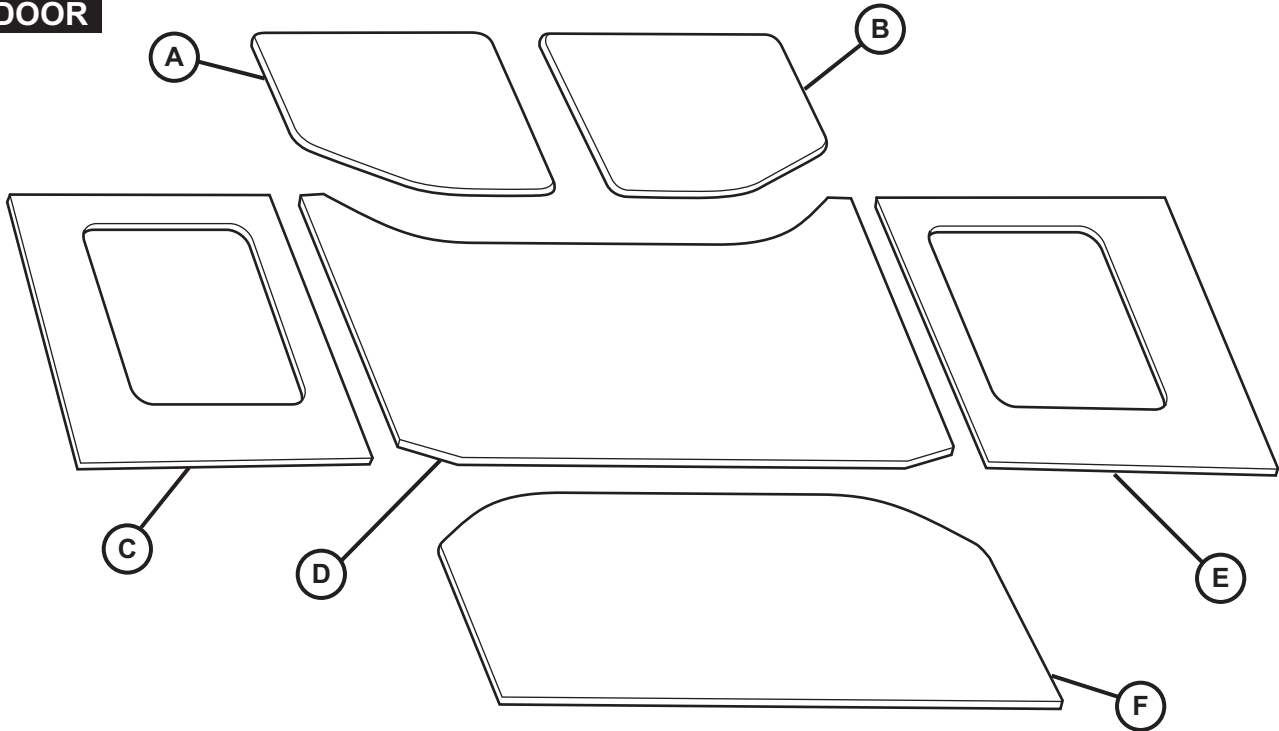
JEEP WRANGLER

TOP LINER

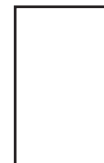
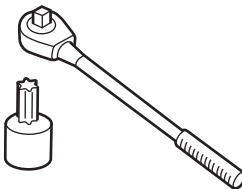
2-DOOR



4-DOOR

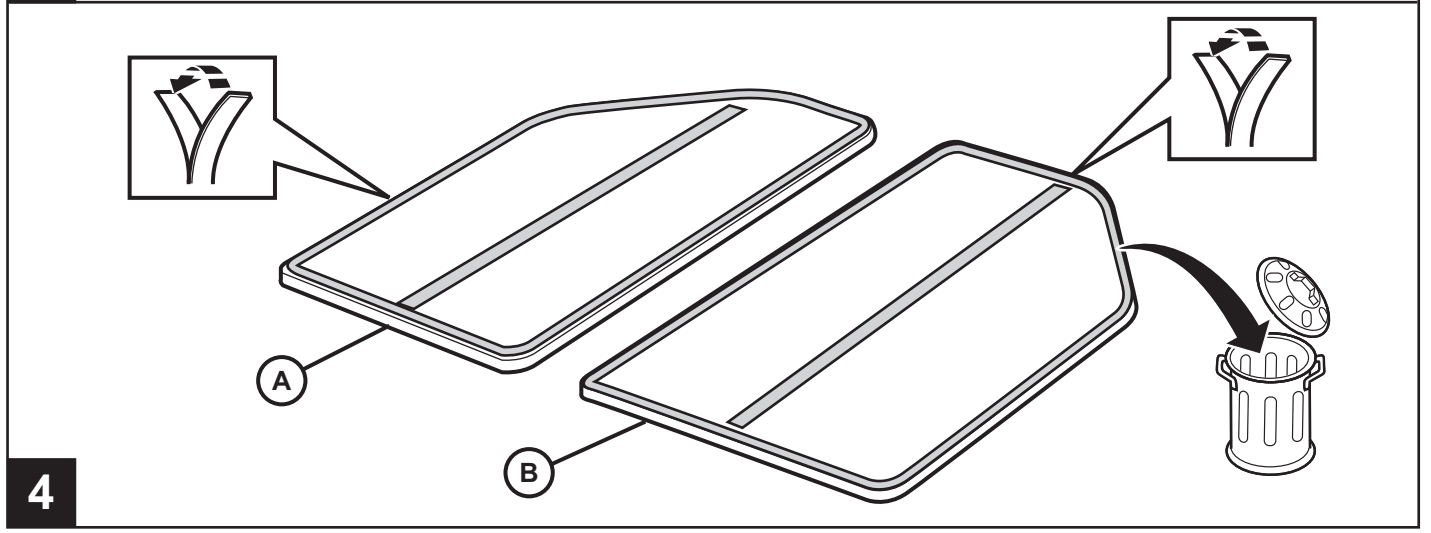
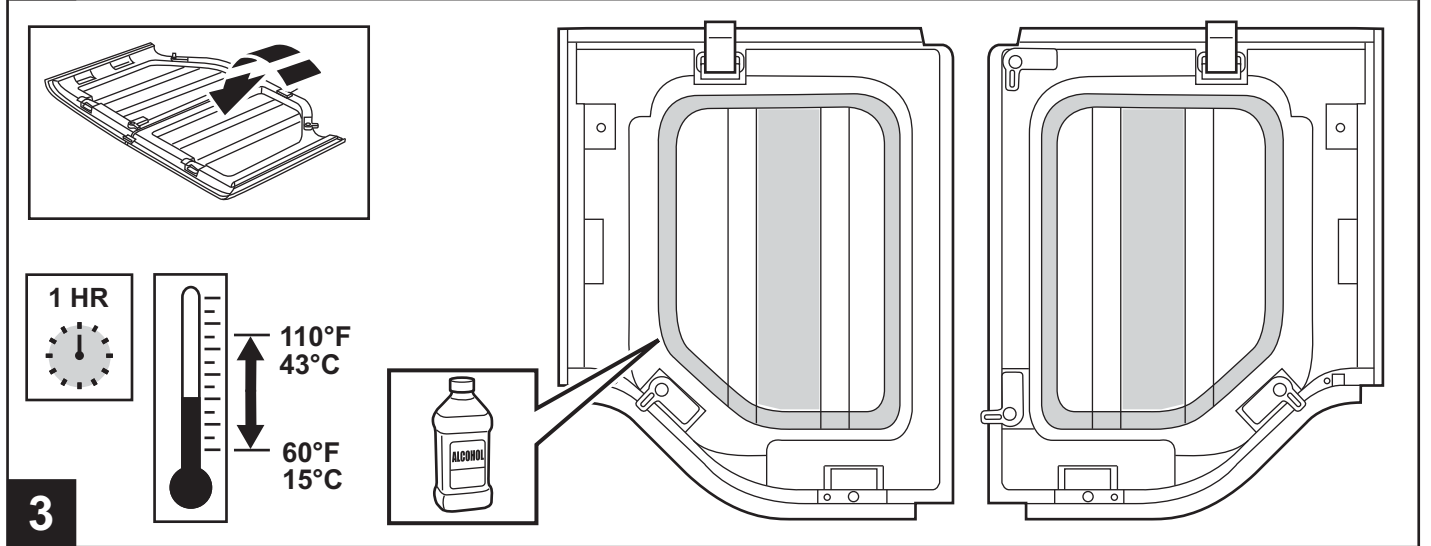
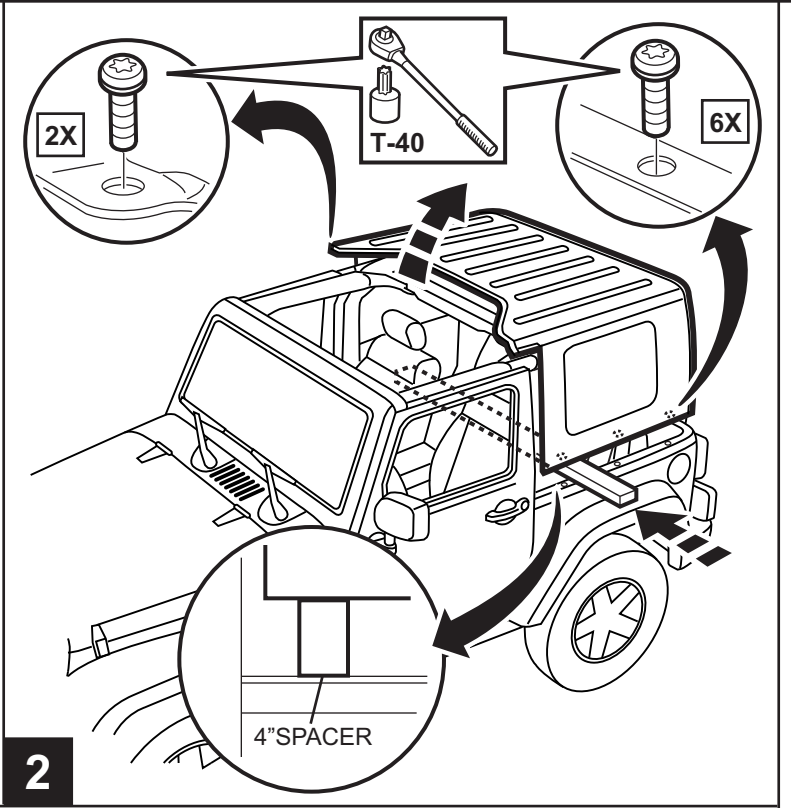
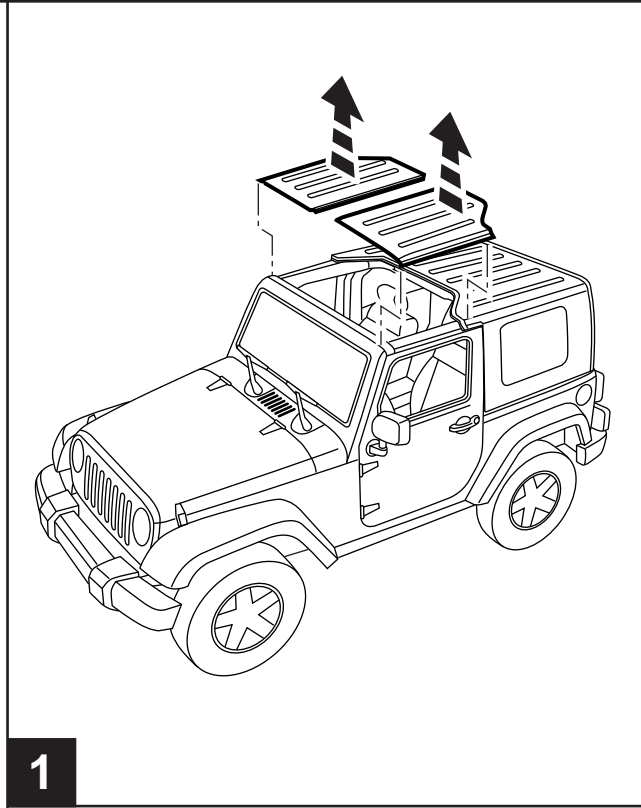


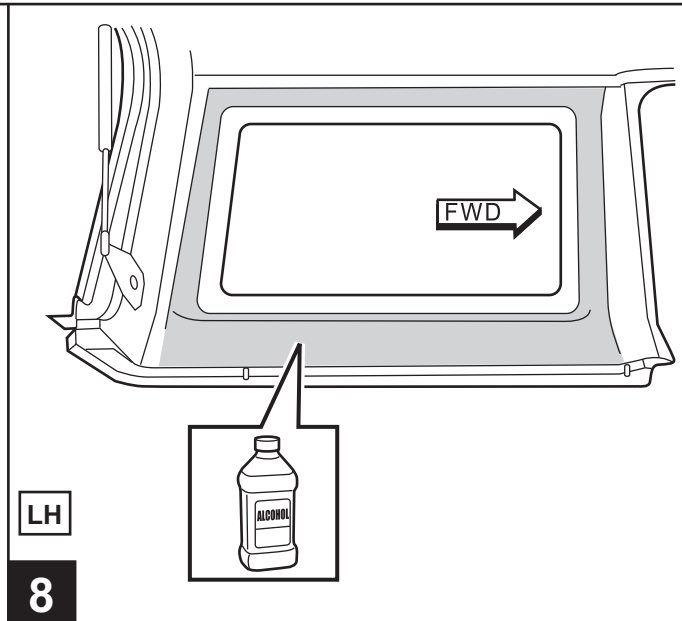
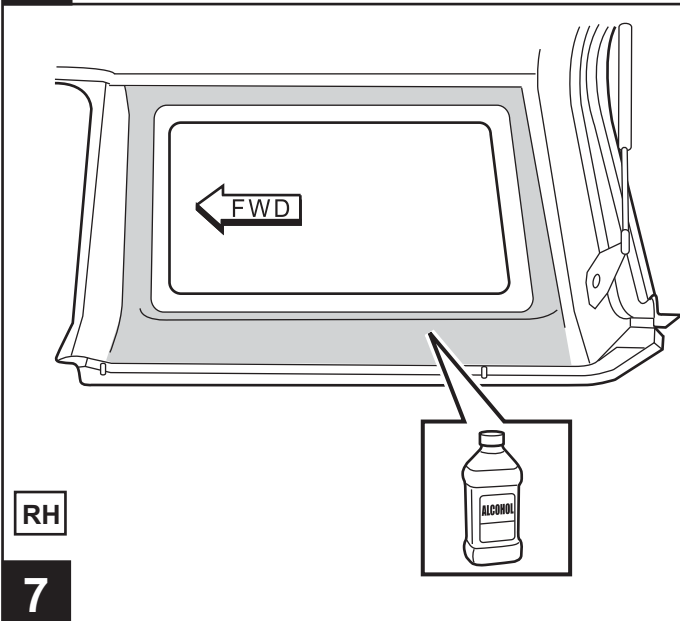
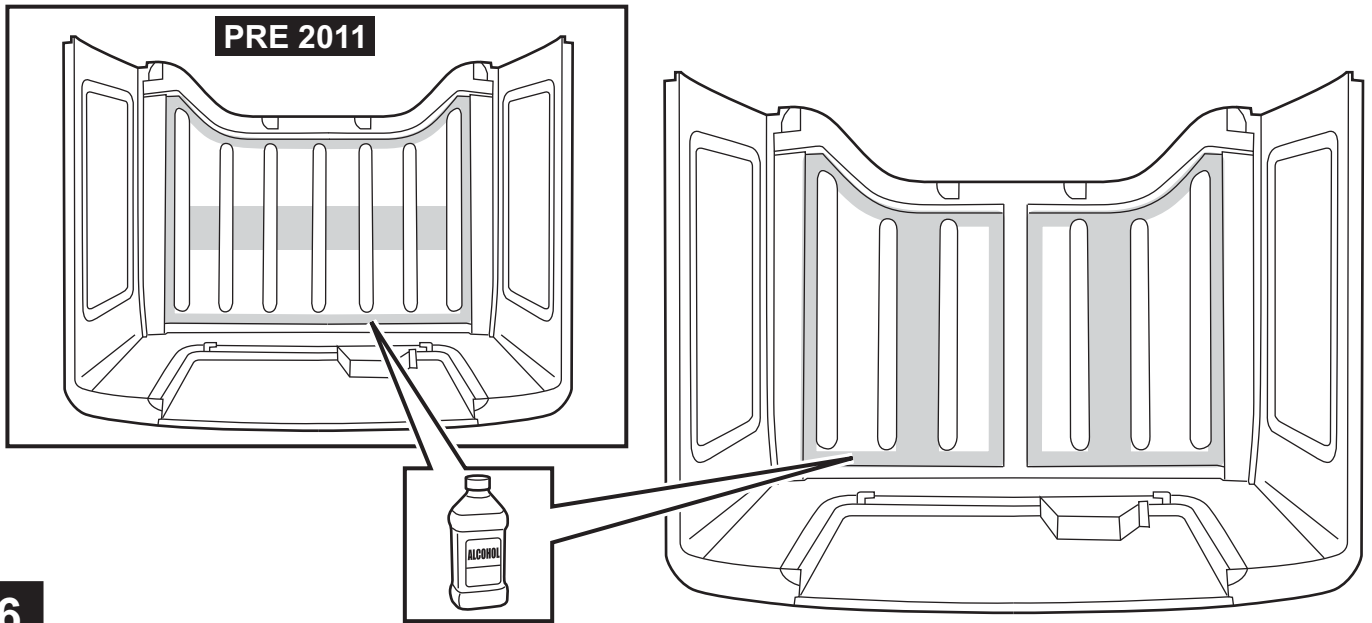
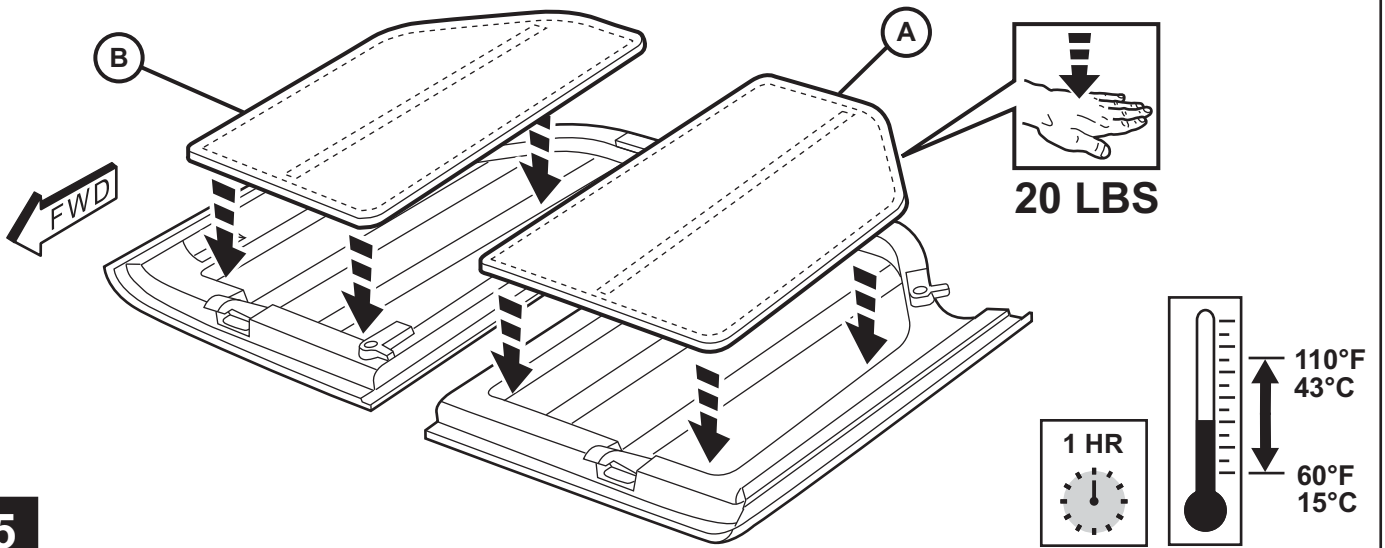
T-40

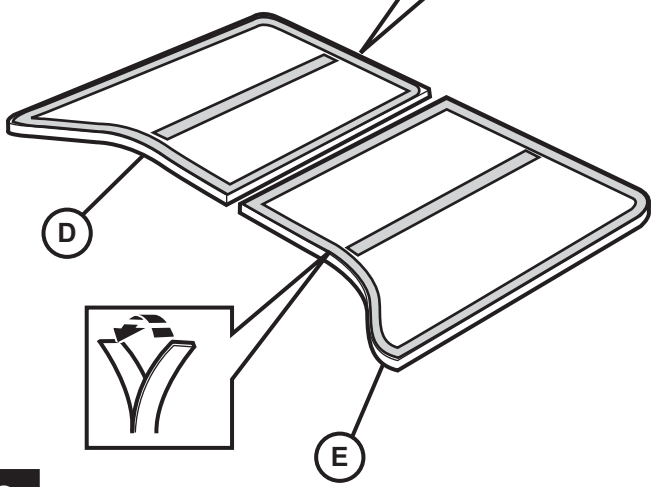
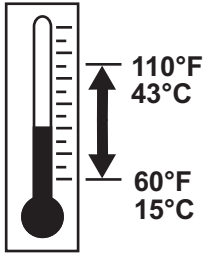


4" SPACER

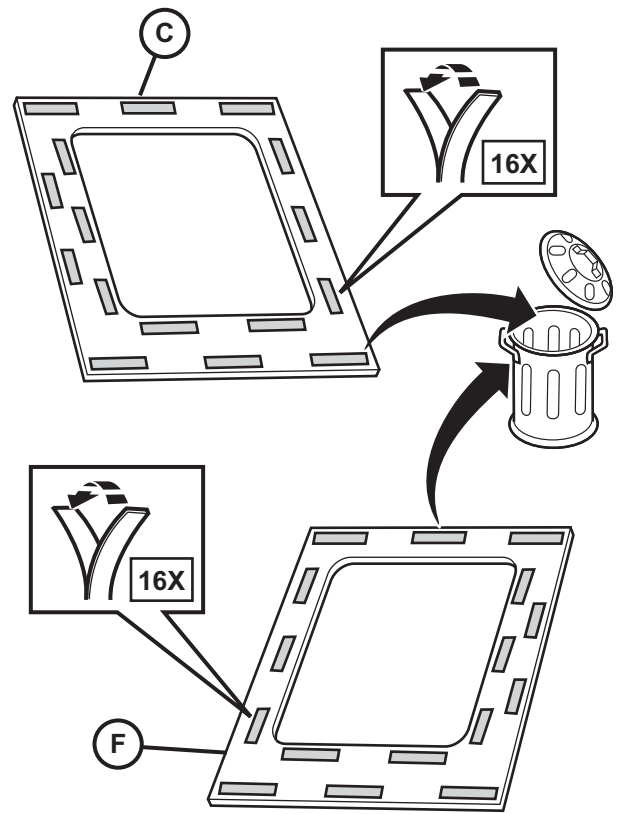
2-DOOR







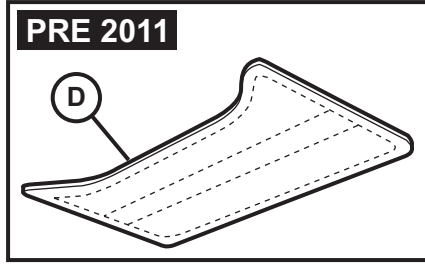
9



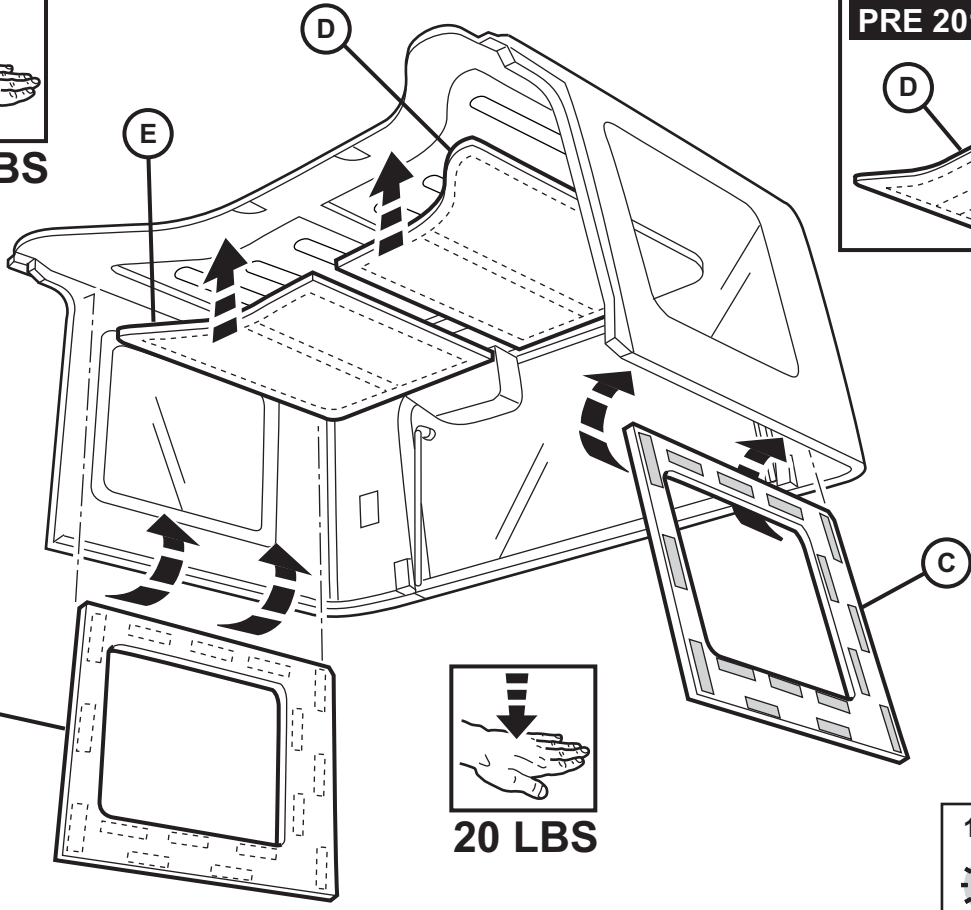
10



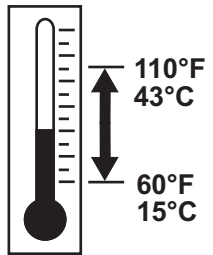
20 LBS



PRE 2011

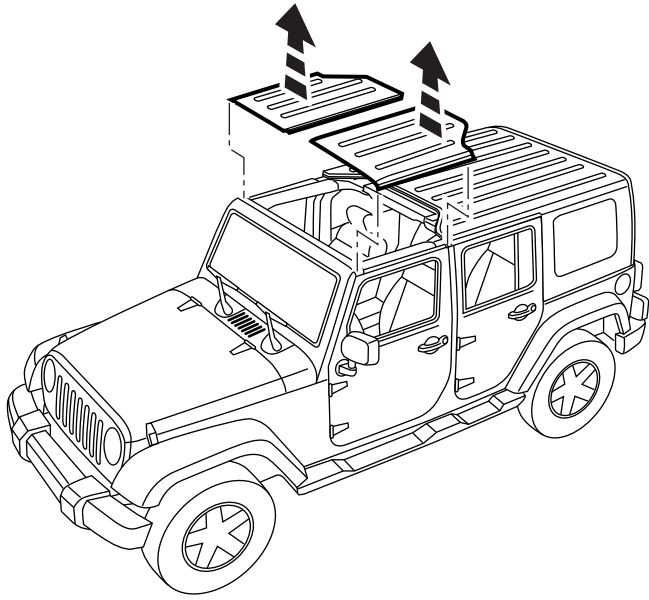


20 LBS

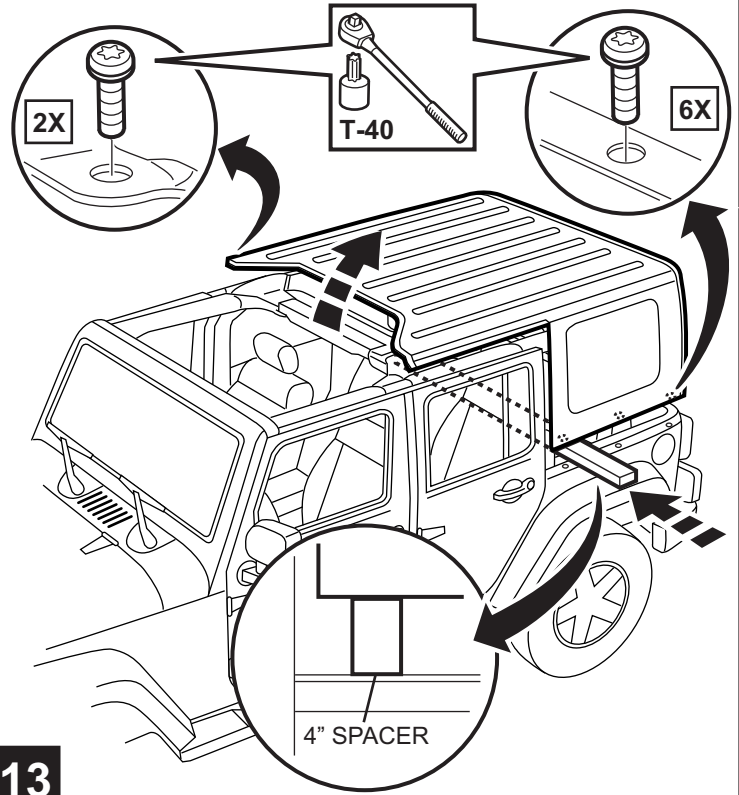


11

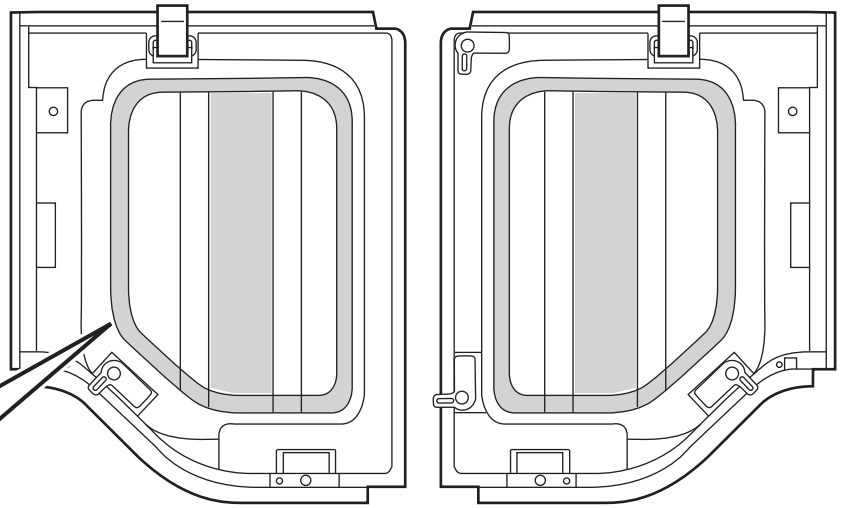
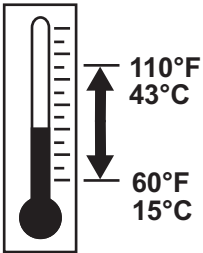
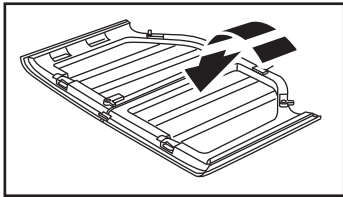
4-DOOR



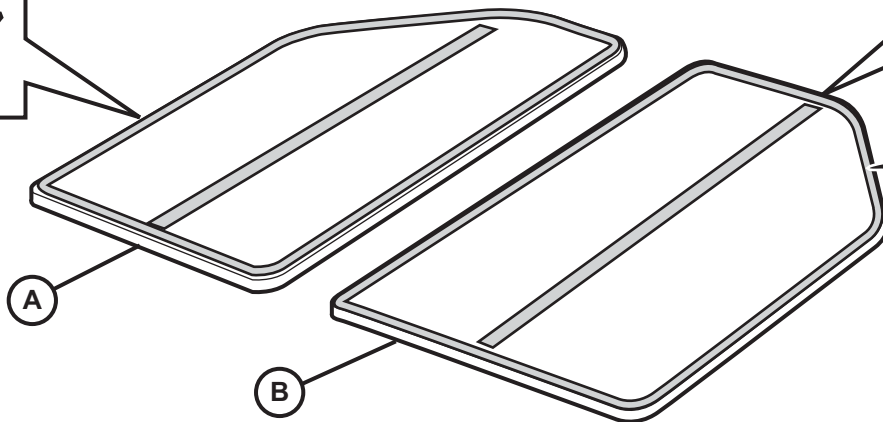
12



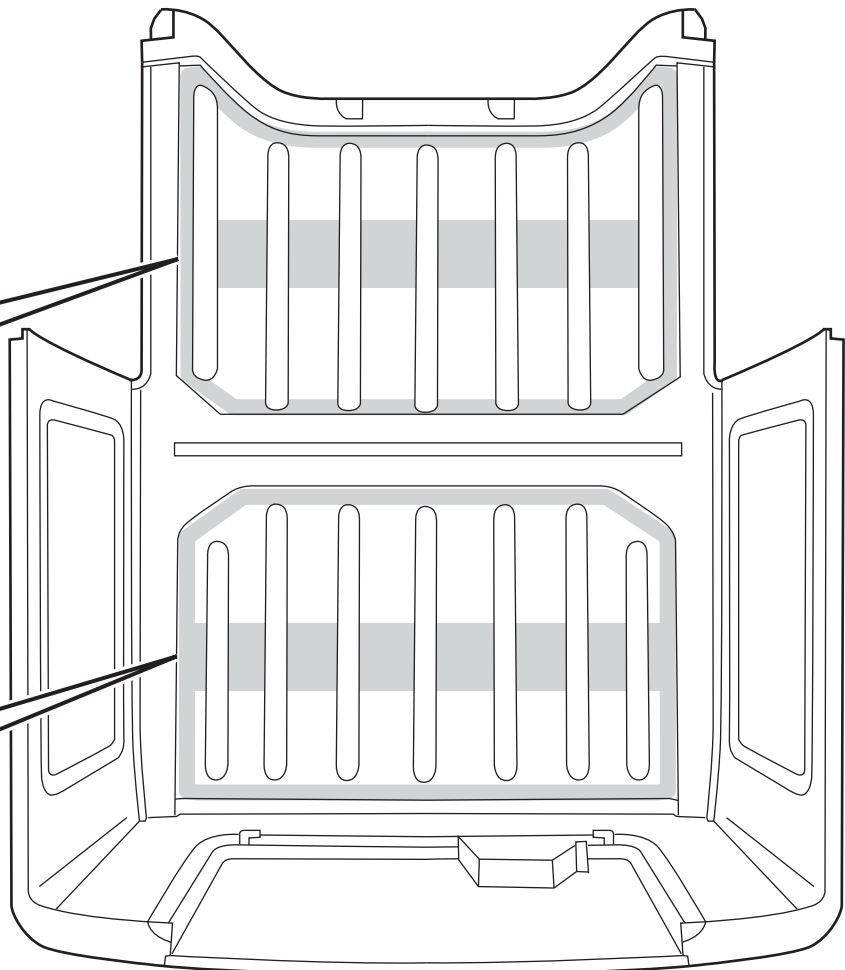
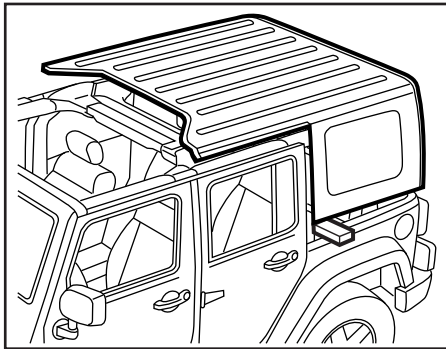
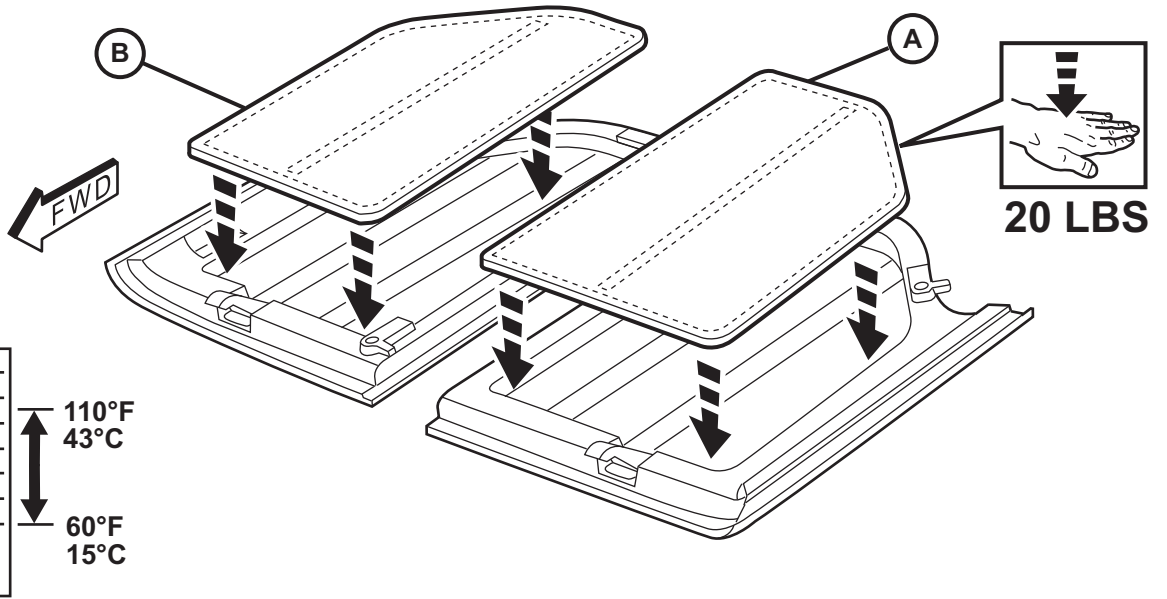
13

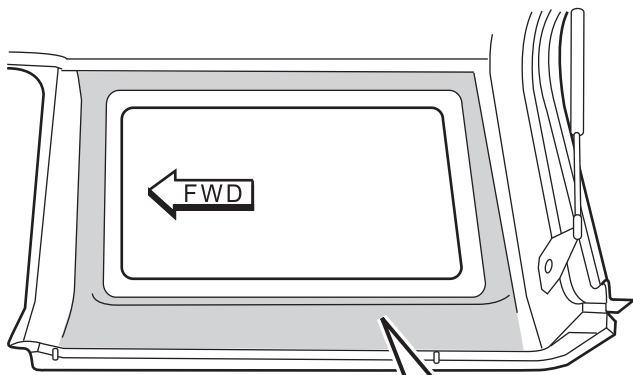


14



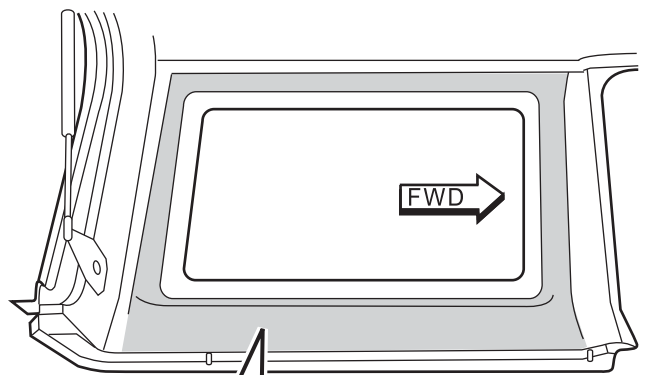
15





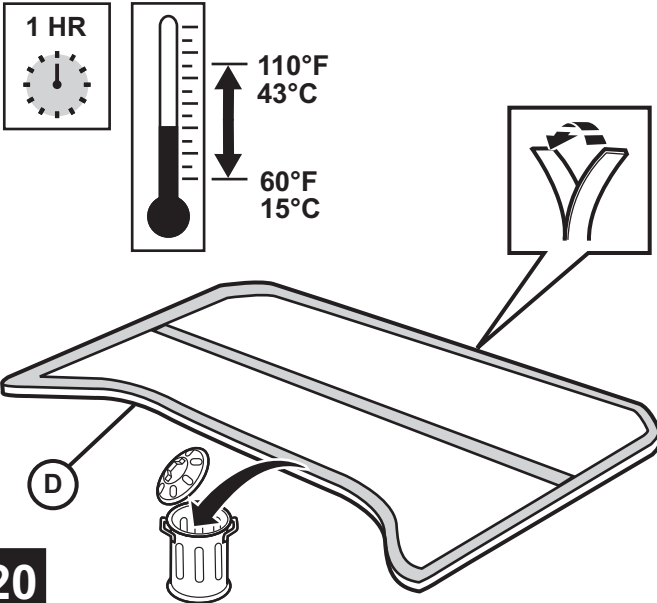
RH

18

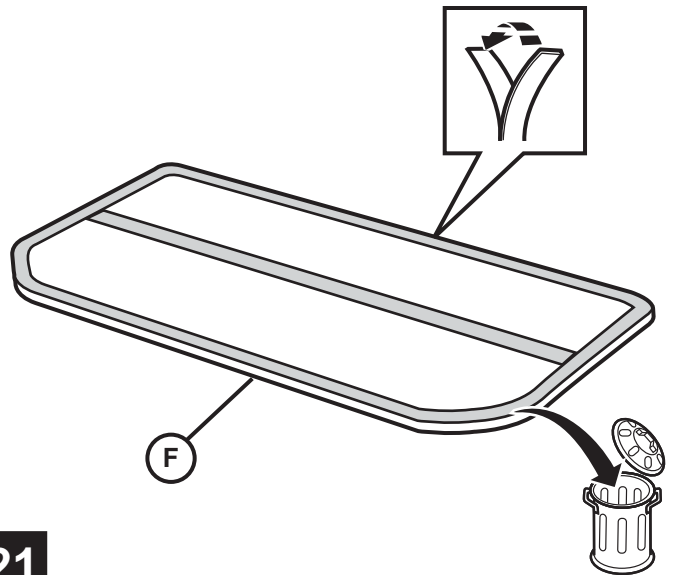


LH

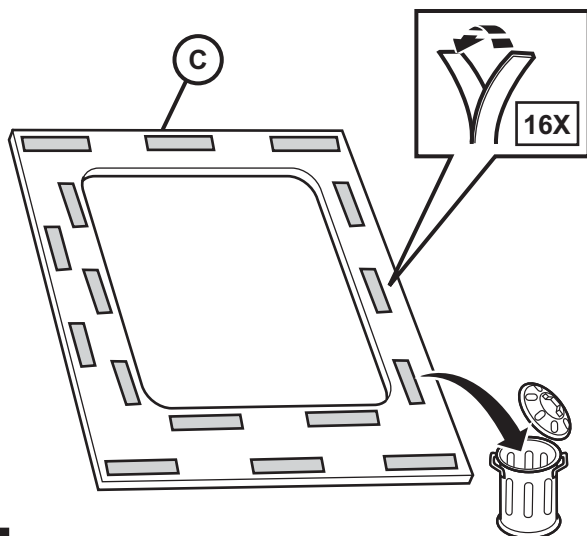
19



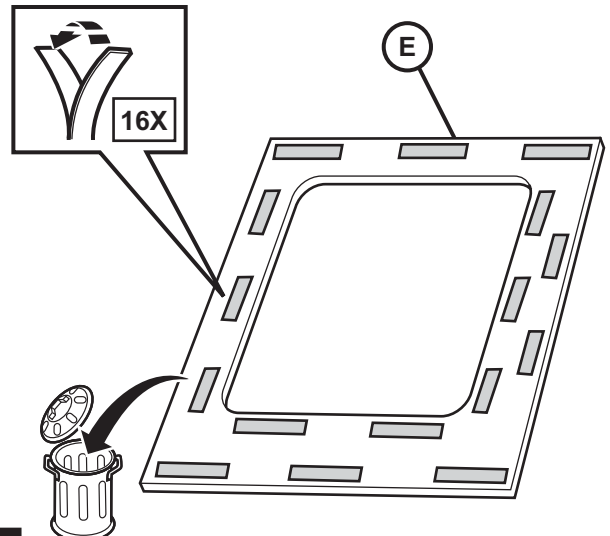
20



21



22



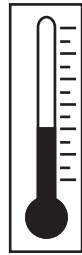
23



20 LBS

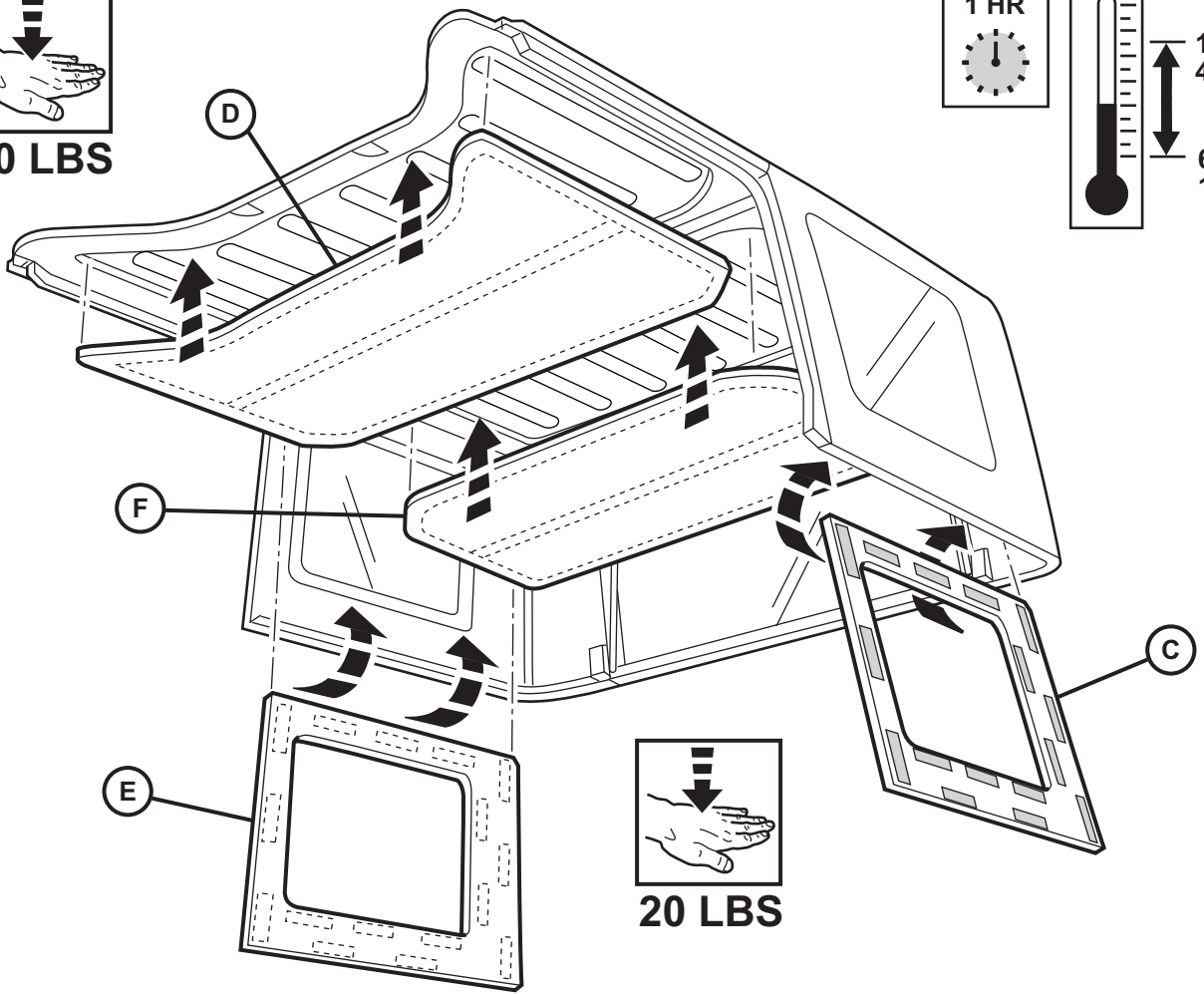


1 HR



110°F
43°C

60°F
15°C



24