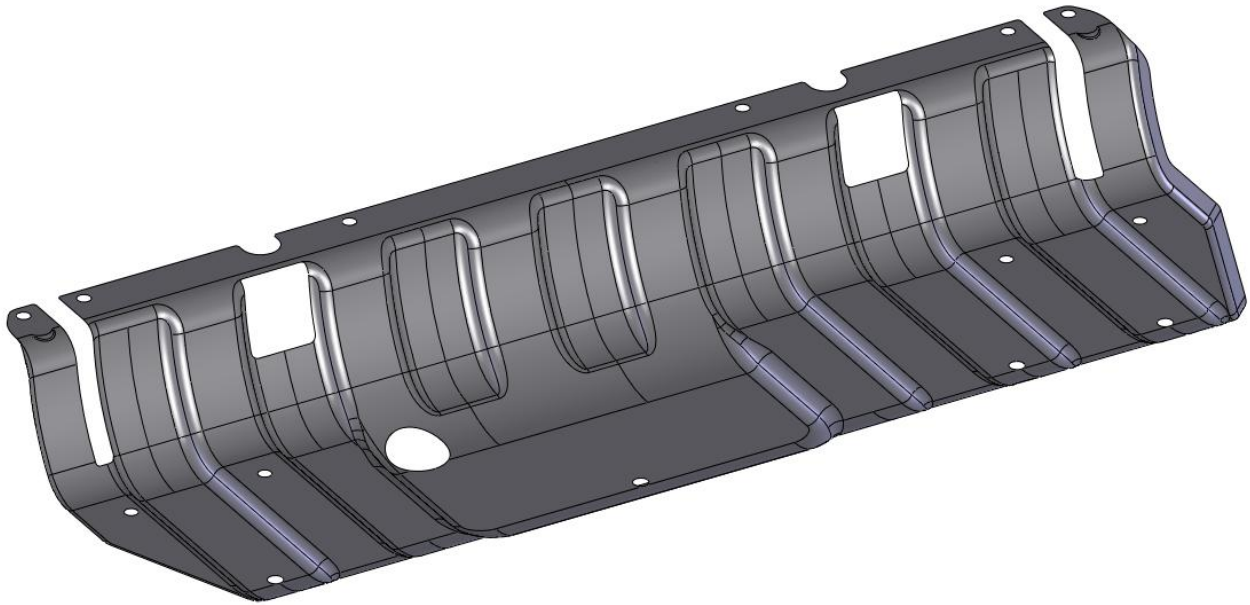




AMERICAN EXPEDITION
VEHICLES

JK FRONT BUMPER SKID PLATE



Installation Guide – AEV30107AA

(Updated 02/03/10)



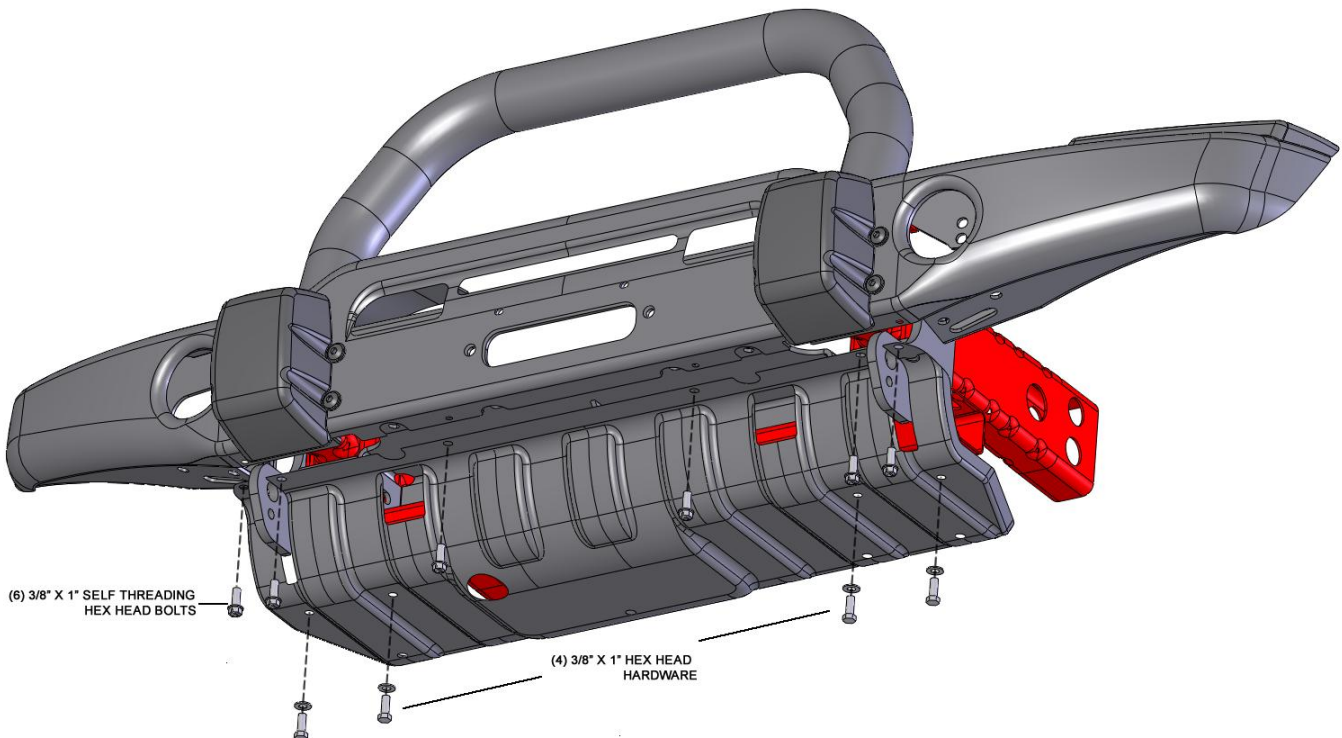
PLEASE READ BEFORE YOU START

IN ORDER TO INSTALL THIS PART PROPERLY YOU OR YOUR INSTALLER MUST READ THESE INSTRUCTIONS THOROUGHLY BEFORE BEGINNING THE INSTALLATION. FAILURE TO DO SO MAY RESULT IN MISTAKES AND AFFECT THE QUALITY OF THE FINISHED PRODUCT.

Included Parts	QTY	Required Tools
Skid Plate	1	Common Hand Tools
Hardware Pack	1	Center Punch
		Drill Motor
		Drill Bits
		De-burring Tool or File
		Touch Up Paint or Rust Inhibitor



INSTALLATION

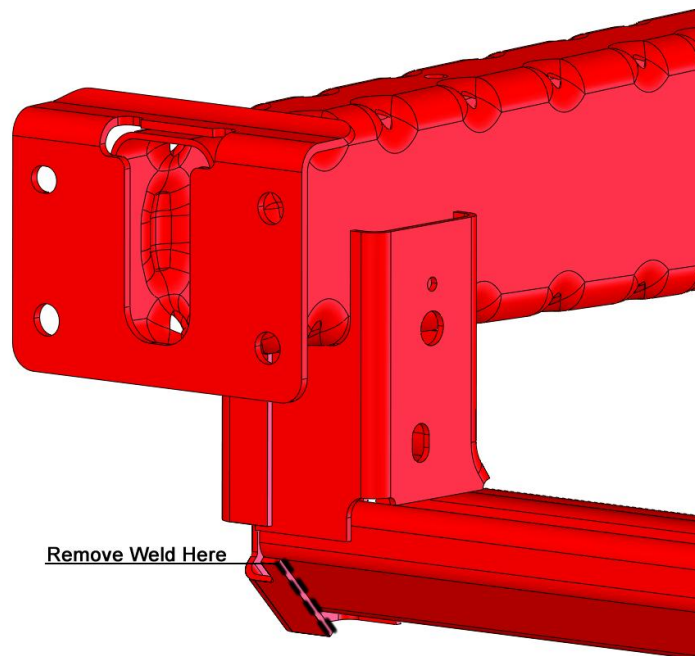
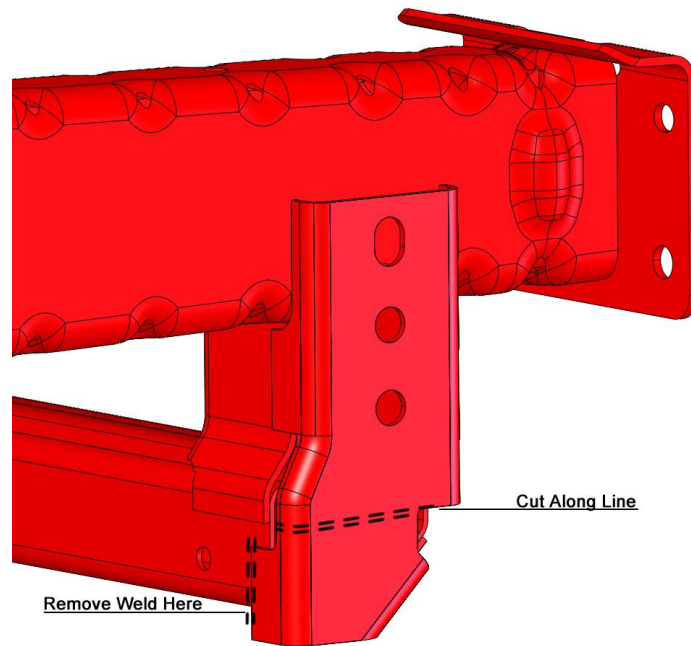


1. Hold the skid plate in position under the bumper
2. Insert (2) 3/8" x 1" self threading bolts into the outer most mounting holes. Do not tighten at this time. Snug them up to hold the skid plate in place and align
3. While holding the skid plate tightly up against the compatibility beam, mark the four rear mounting holes and center punch
4. **NOTE: LATE 2009 AND 2010+ MODELS LOSE THE OUTER ATTACHMENT POINTS IN STEP #3**
5. Remove the skid plate
6. Drill holes marked in step #5 using a 3/8 inch drill bit
7. De-burr and treat holes with rust inhibitor or touch up paint
8. Position the skid plate back under the bumper
9. Install the (6) 3/8" self threading bolts in the front mounting holes
10. Use the (4) 3/8" hex head hardware for the rear mounting holes
11. Torque all bolts



2010+ ONLY – COMPATIBILITY BEAM MODIFICATIONS

1. 2010+ models must have the compatibility beam modified to clear the skid plate and to provide access for the fasteners. Use a cutoff wheel to trim the beam as shown
2. Clean the modification and paint with a rust inhibitor or touch up paint



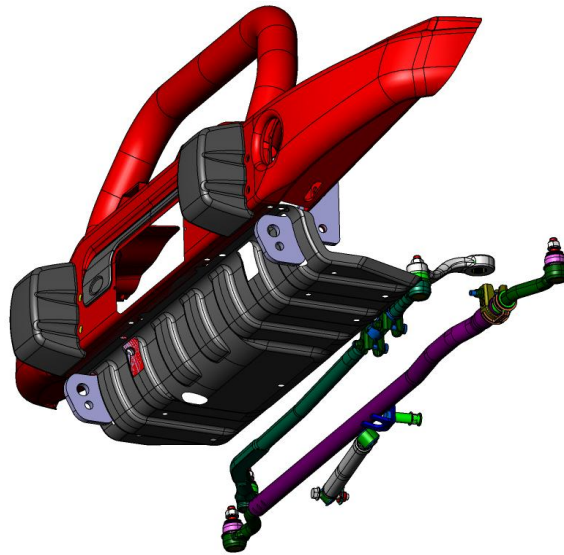
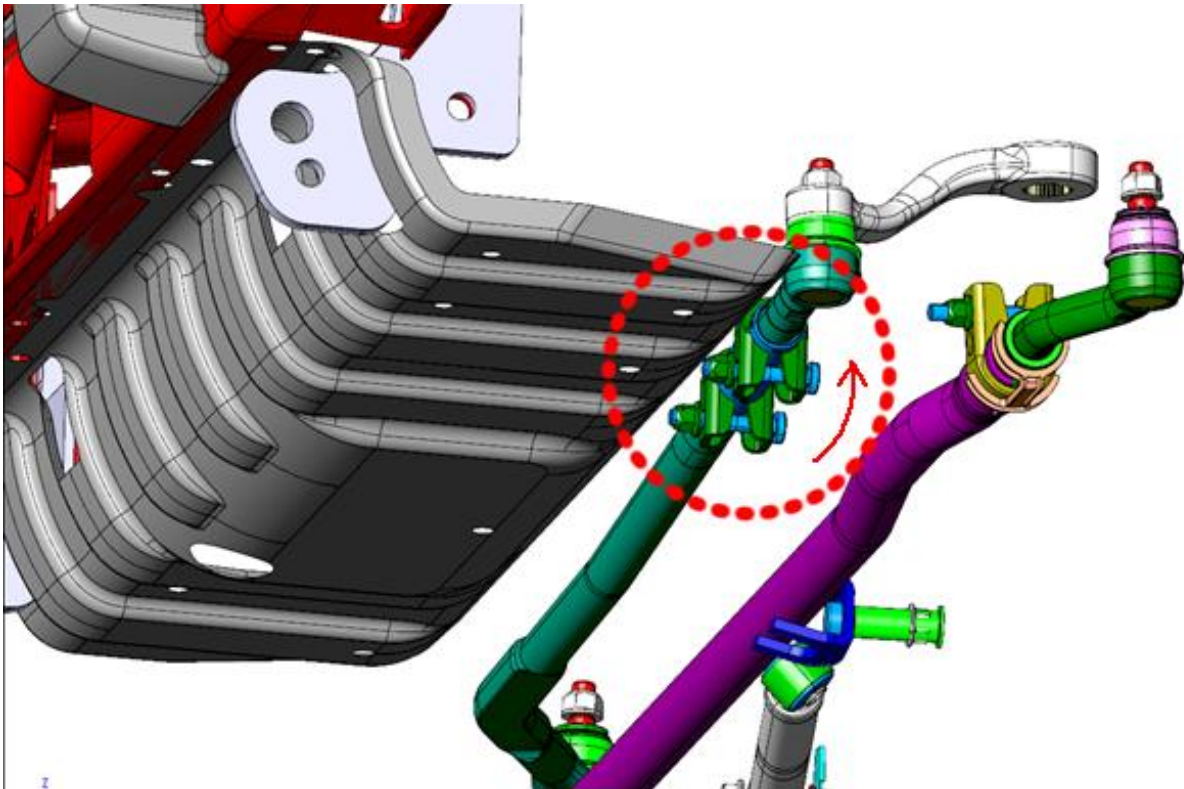


IMAGE ENLARGE BELOW



- WARNING -

Check for clearance between the drag link adjuster clamps and skid plate. Place bolts vertical and rearward



A M E R I C A N E X P E D I T I O N
V E H I C L E S

COMMENTS OR QUESTIONS?

Be sure to visit our forum at: <http://forum.aev-conversions.com>

American Expedition Vehicles

Phone: 406.251.2100

Email: tech@aev-conversions.com

Website: <http://www.aev-conversions.com>