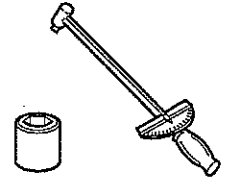
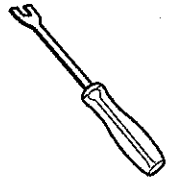
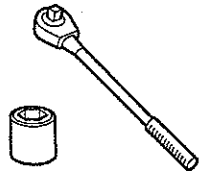
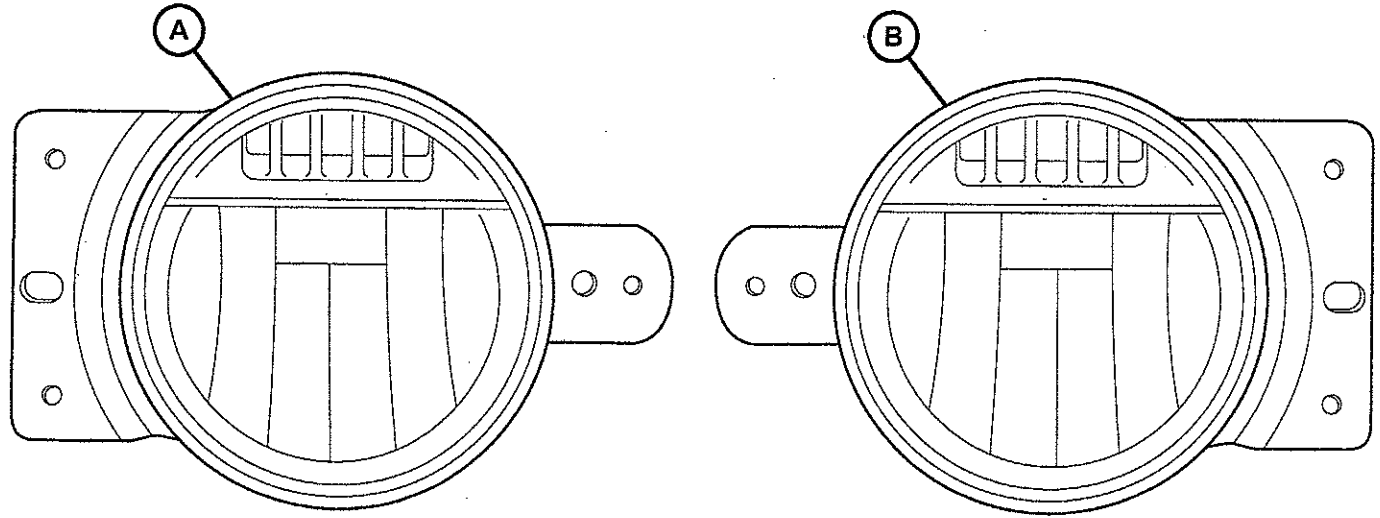




# LED FOG LAMPS JEEP WRANGLER SPORT

Jeep Wrangler Sport Lumières LED brouillard  
Jeep Wrangler Sport Luces antiniebla LED

www.mopar.com



**NOTE: RETAIN ALL FASTENERS FOR REINSTALLATION**

Maintenir toutes les vis pour la réinstallation

Mantenga todos los tornillos para la reinstalación

**NOTE: IT IS RECOMMENDED TO READ THE INSTRUCTIONS THOROUGHLY BEFORE INSTALLING THIS ACCESSORY.**

**ADD SALES CODE TO VEHICLE IN DealerCONNECT**

1. Log on to <https://dealerconnect.chrysler.com>.
2. In the "Service tab"-"Warranty Administration" box -"Vehicle Option Updates" screen, enter the vehicle VIN and add the sales code LNV (LED Fog Lamp) as a "Dealer Installed Option".
3. Confirm that the new sales code has been successfully added to the VIN.

**REMARQUE: Il est recommandé de lire soigneusement les instructions avant d'installer ce produit.**

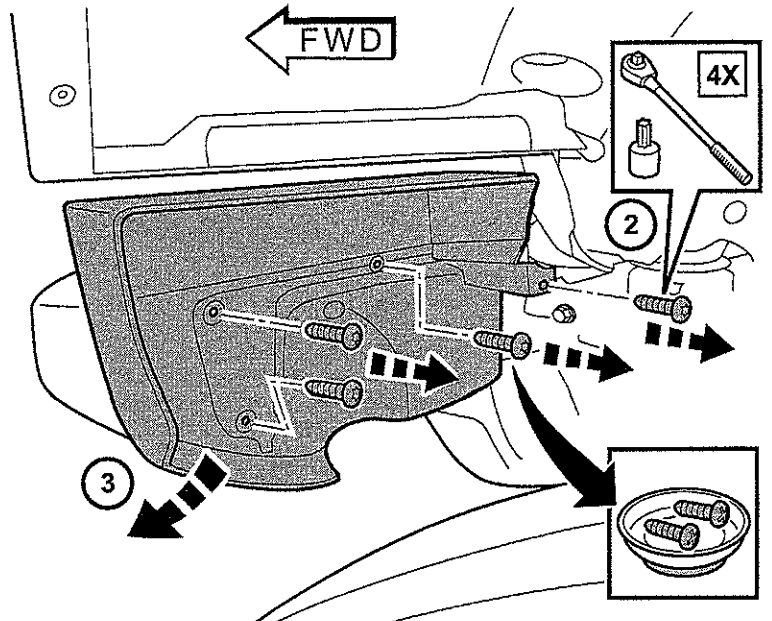
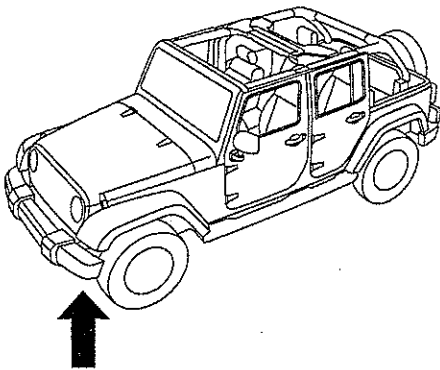
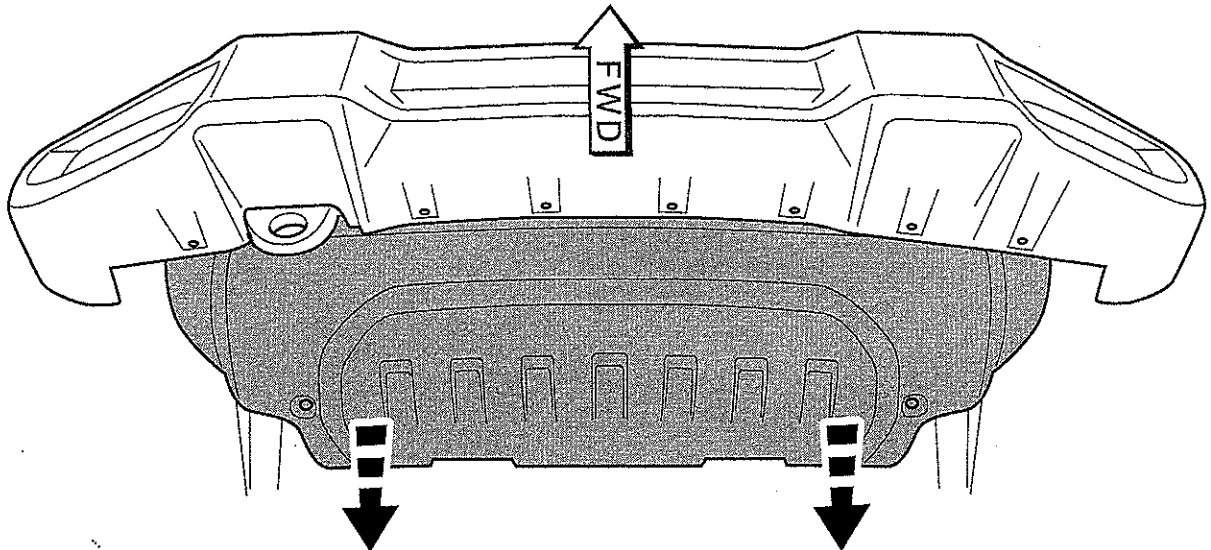
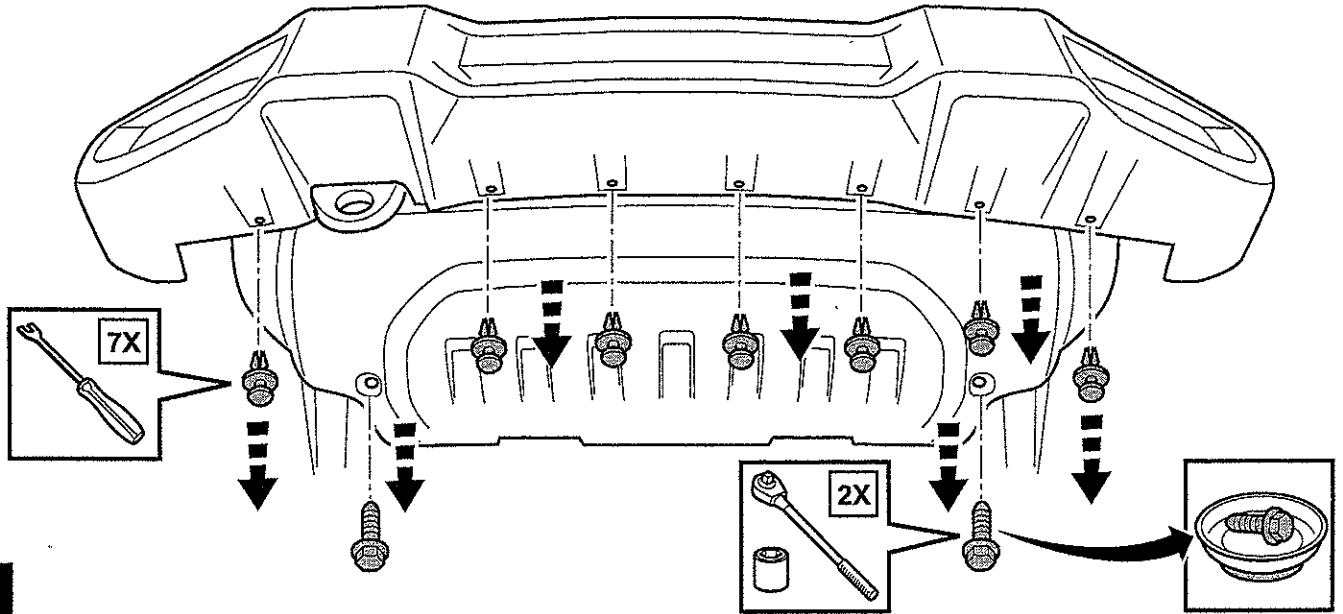
Ajoutez le code de vente au véhicule DealerCONNECT

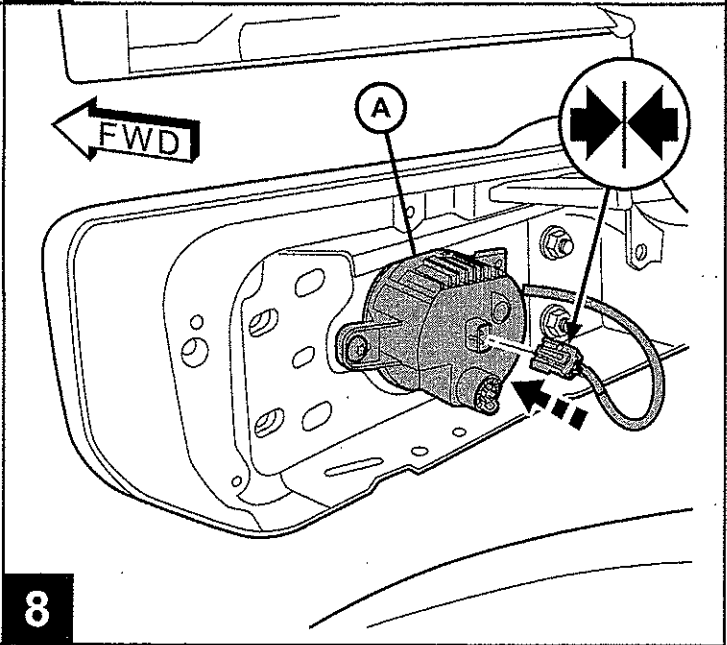
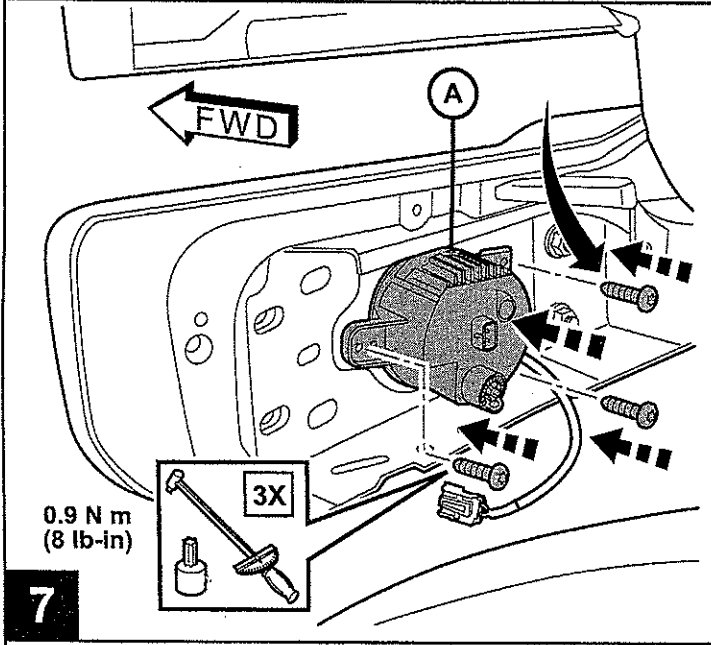
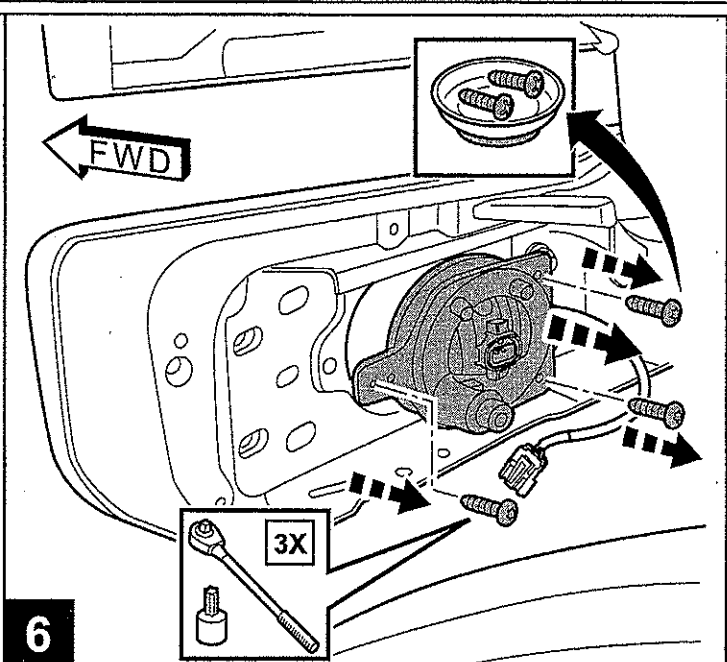
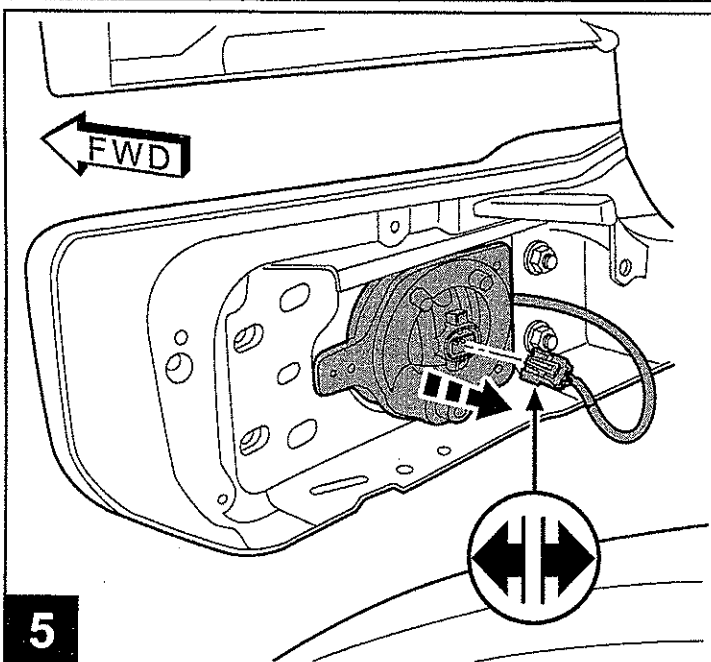
1. Ouvrez une session à <https://dealerconnect.chrysler.com>
2. Dans l'onglet "Service" / écran "Administration de la garantie" boîte / "Option de véhicules Mises à jour", entrez le numéro d'identification du véhicule et ajouter le LNV de code de vente (Lumières LED brouillard) en tant que «courtier installé Option".
3. Vérifiez que le nouveau code de vente a été ajouté avec succès à la VIN.

**NOTA: Se recomienda leer detenidamente las instrucciones antes de instalar este producto.**

Agregue el código de venta al vehículo en DealerCONNECT

1. Inicie sesión en <https://dealerconnect.chrysler.com>
2. En la pestaña de "servicio" pantalla / "Administración de garantía" / caja de "Opción del vehículo actualizaciones", introduzca el VIN del vehículo y añadir el código de venta LNV (Luces antiniebla LED) como una "opción instalada por el distribuidor".
3. Confirme que el nuevo código de ventas se ha añadido con éxito a la VIN.





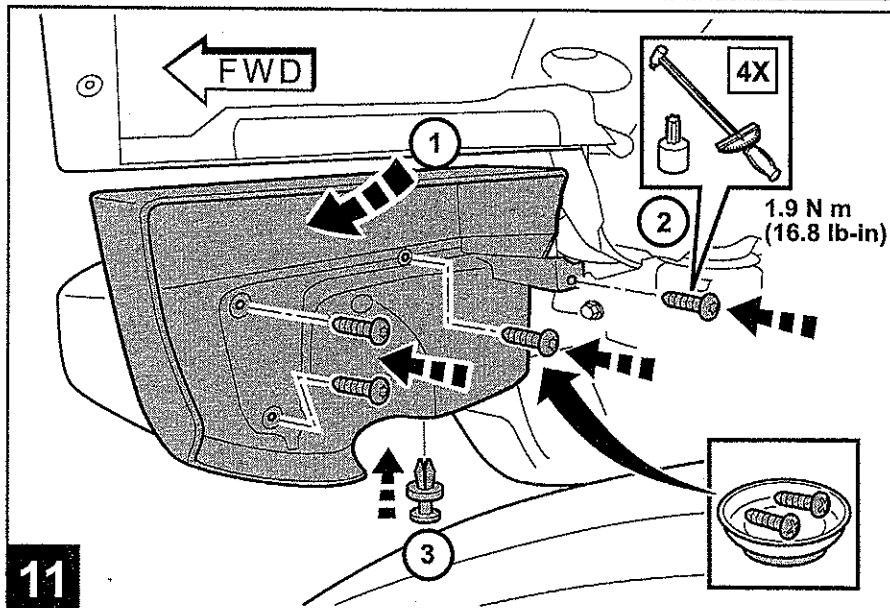
**REPEAT STEPS 4 THROUGH 8  
ON OPPOSITE SIDE OF VEHICLE**

Répétez les étapes 4 à 8 du côté opposé du véhicule  
Repita los pasos 4 a 8 en el lado opuesto del vehículo

**NOTE:  
ALIGN THE NEW FOG LAMPS AT THIS TIME  
ACCORDING TO THE PROCEDURES  
BEGINNING ON PAGE 5**

Remarque: Aligner les phares antibrouillard  
à ce moment selon les procédures  
commençant à la page 5

Nota: Alinee las luces antiniebla en este momento  
de acuerdo con los procedimientos que  
comienzan en la página 5



11

12

**REPEAT STEP 11  
ON OPPOSITE SIDE OF VEHICLE**

Répétez l'étape 11 sur le côté  
opposé du véhicule

Repita el paso 11 en el lado  
opuesto del vehículo

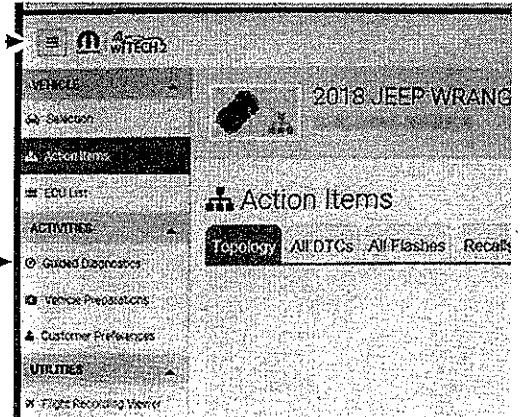
**REVERSE STEPS 2 AND 3 TO  
REINSTALL VEHICLE COMPONENTS**

Inversez les étapes 2 et 3 pour réinstaller  
les composants du véhicule

Invierta los pasos 2 y 3 para reinstalar  
los componentes del vehículo

### RESTORE VEHICLE CONFIGURATION

- From the Vehicle Select Screen, navigate to the Vehicle Topology Screen or ECU List
- Select BCM
- From the ACTIVITES section of the left margin, select option "Guided Diagnostics"  
NOTE: If left margin menu does not appear, click the menu button at the top left corner of screen.
- Select option RESTORE VEHICLE CONFIGURATION
- Follow prompts on the screen to complete this procedure
- When finished, cycle ignition to OFF, then cycle ignition to RUN (without cranking the engine)
- Leave ignition in RUN for minimum of 60 seconds, then cycle OFF
- Now cycle ignition to RUN (without cranking engine)
- Clear ALL DTCs



### Restaurer la configuration du véhicule

- Du véhicule Sélectionnez l'écran, accédez à l'écran Topologie véhicule ou Liste ECU
- Sélectionnez BCM
- Dans la section ACTIVITÉS de la marge de gauche, sélectionnez l'option "DIAGNOSTIC GUIDÉ"  
Remarque: Si le menu de marge de gauche n'apparaît pas, cliquez sur le bouton de menu dans le coin supérieur gauche de l'écran.
- Sélectionner RESTORE VEHICLE CONFIGURATION
- Suivez les invites à l'écran pour effectuer cette procédure
- Une fois terminé, mettez le contact à la position OFF, puis mettez le contact sur RUN (sans démarrer le moteur)
- Laissez l'allumage en position RUN pour un minimum de 60 secondes, puis tourner à OFF
- Maintenant, tournez la clé de contact à la position RUN (sans démarrer le moteur)
- Effacer tous les DTCs

### Restaurar la configuración del vehículo

- Desde la pantalla de selección del vehículo, vaya a la pantalla de topología del vehículo o la lista de ECU
- Seleccione BCM
- Desde la sección ACTIVIDADES del margen izquierdo, seleccione la opción "DIAGNÓSTICO GUIADO"  
Nota: Si el menú del margen izquierdo no aparece, haga clic en el botón de menú en la esquina superior izquierda de la pantalla.
- Seleccionar RESTORE VEHICLE CONFIGURATION
- Siga las instrucciones en la pantalla para completar este procedimiento
- Cuando haya terminado, gire el encendido a la posición OFF, luego gire el encendido a la posición RUN (sin arrancar el motor)
- Deja el encendido en la posición RUN durante un mínimo de 60 segundos y vuelva a la posición OFF
- Ahora gire el encendido a la posición RUN (sin arrancar el motor)
- Borrar todos los DTC

13

## VEHICLE PREPARATION FOR LAMP ALIGNMENT

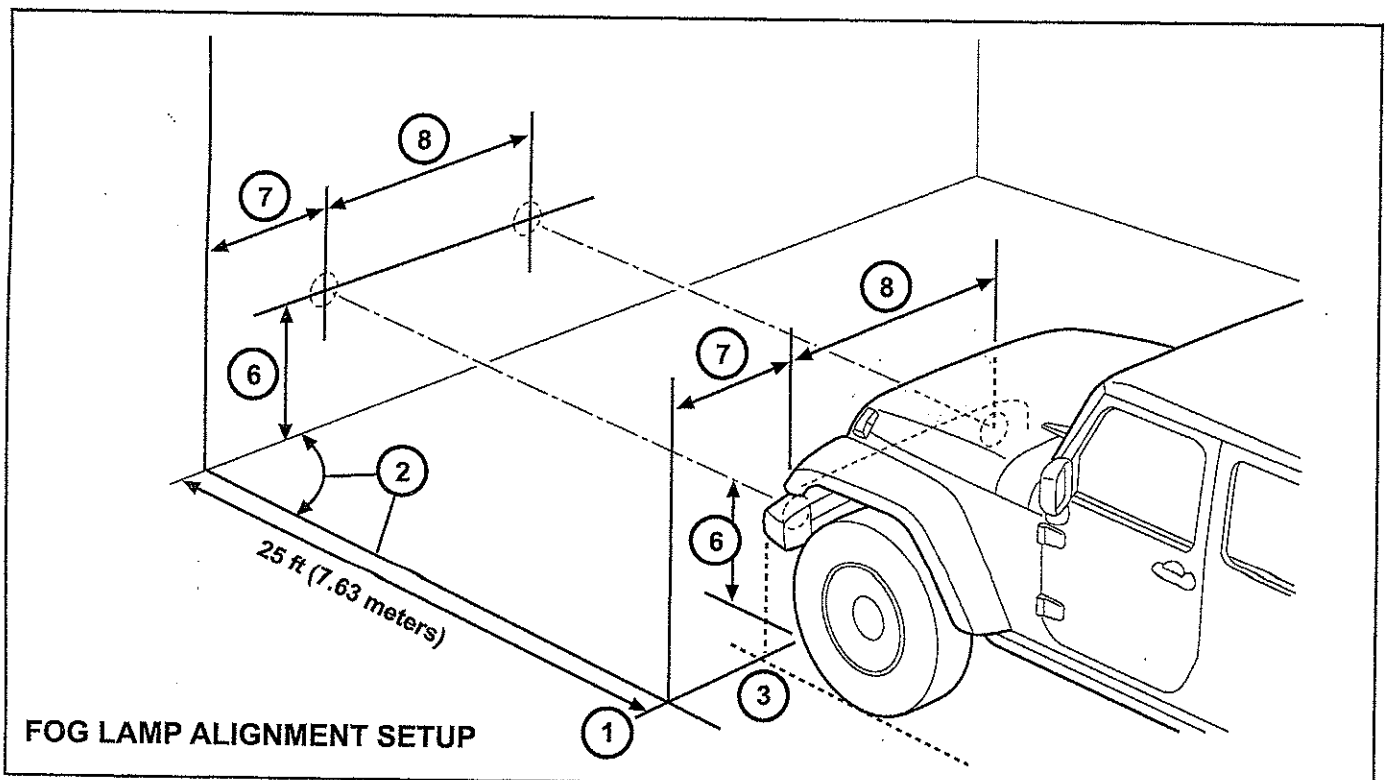
**NOTE:** The Fog Lamps come pre-aimed from the supplier, but should be checked to ensure proper aiming after installed in the vehicle.

1. Check for and correct any burnt out lights.
2. Repair or replace any ineffective, worn or damaged body or suspension components that could hinder proper lamp alignment.
3. Verify proper tire inflation pressures.
4. Remove any accumulations of mud, snow or ice from the vehicle underbody and clean the front lamp lenses.
5. Verify that there is no load in the vehicle (cargo or passengers), except for the driver.
6. The fuel tank should be FULL. Add 2.94 kilograms (6.5 pounds) of weight over the fuel tank for each estimated gallon of missing fuel.
7. Verify correct vehicle suspension height.

### PREPARE A FOG LAMP ALIGNMENT SCREEN - DOMESTIC MARKET ONLY

FOR THE FOLLOWING STEPS (1 - 8) REFER TO THE IMAGE "FOG LAMP ALIGNMENT SETUP"

1. Tape a line on a level floor 7.62 meters (25 feet) away from and parallel to the flat wall that will be used as the lamp alignment screen. The level floor will be used as the horizontal zero reference.
2. An adjacent wall or floor member that is perpendicular to the alignment screen can be used as the vertical zero reference. If there is no adjacent wall or floor member that is perpendicular to the screen, tape a second line on the floor perpendicular to both the alignment screen and the first line, and outboard of either side of where the vehicle will be positioned. This will be used as the vertical zero reference.
3. Position the vehicle so that the side of the vehicle is parallel to the vertical zero reference, and so that the front of the lamp lenses are in the vertical plane of the parallel line taped on the floor 7.62 meters (25 feet) away from the screen.



## PREPARE A FRONT LAMP ALIGNMENT SCREEN - DOMESTIC MARKET ONLY (CONT'D)

4. Rock the vehicle side-to-side three times to allow the suspension to stabilize.
5. Jounce the front suspension three times by pushing downward on the front bumper and releasing.
6. Measure the distance between the optical center of one of the lamps being aimed (head or fog) and the floor (horizontal zero reference). Transfer this measurement to the alignment screen with a piece of tape placed horizontally to the floor. This line will be used as the **lamp horizontal reference**.
7. Measure the distance between the vertical zero reference and the optical center of the nearest lamp being aimed (head or fog). Transfer this measurement to the alignment screen with a piece of tape placed vertically across the appropriate (head or fog) lamp horizontal reference. This is the centerline reference for the first lamp.
8. Measure the distance on center between the first and the second lamp being aimed. Transfer this measurement to the alignment screen with a second piece of tape placed vertically across the appropriate (head or fog) lamp horizontal reference. This is the centerline reference for the second lamp.

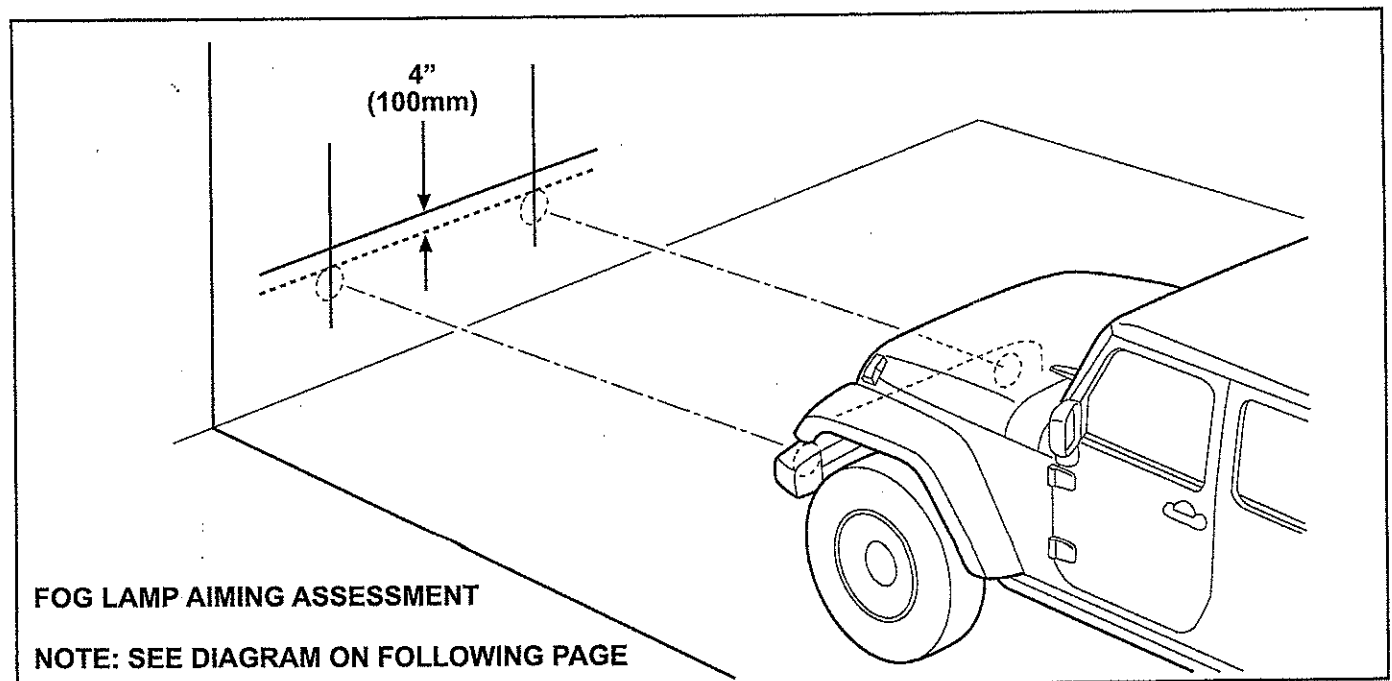
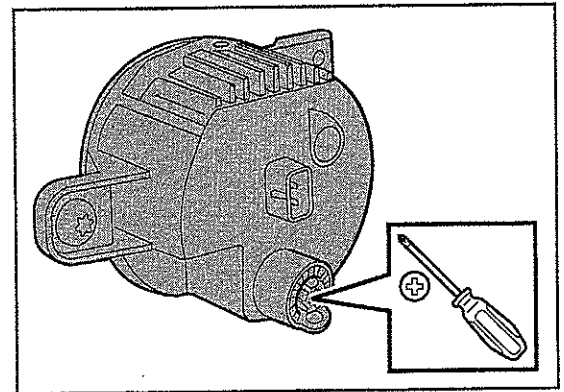
## FOG LAMP ALIGNMENT

FOR THE FOG LAMP ALIGNMENT REFER TO THE IMAGE "FOG LAMP AIMING ASSESSMENT"

1. Turn the fog lamps ON.
2. Locate the adjustment screw at the back of the lamp. Use a screwdriver to rotate the vertical adjustment screw on each fog lamp to adjust the beam height as required.

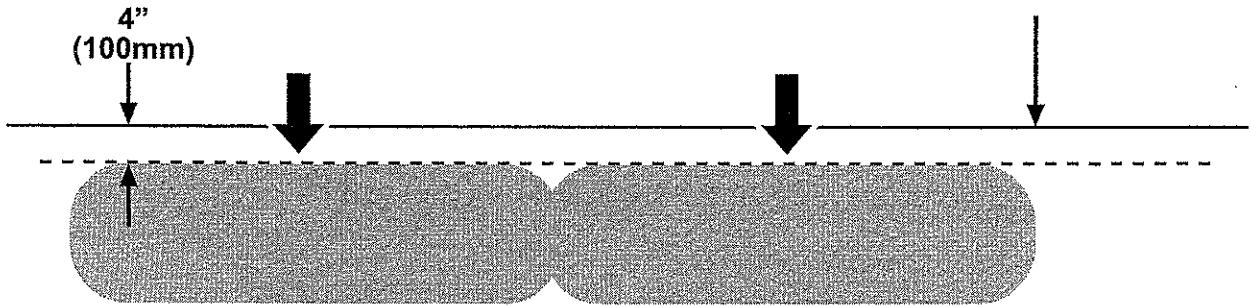
**Vertical Aiming Evaluation/Alignment** - A properly aimed front fog lamp will project a pattern (top of fog light pattern) on the alignment screen 4 in (100mm) below the fog lamp centerline and straight ahead of the lamp.

**Horizontal Aiming Evaluation/Alignment** - No horizontal (right/left) adjustment is required for the fog lamp.



HEADLAMP AIMING DIAGRAM

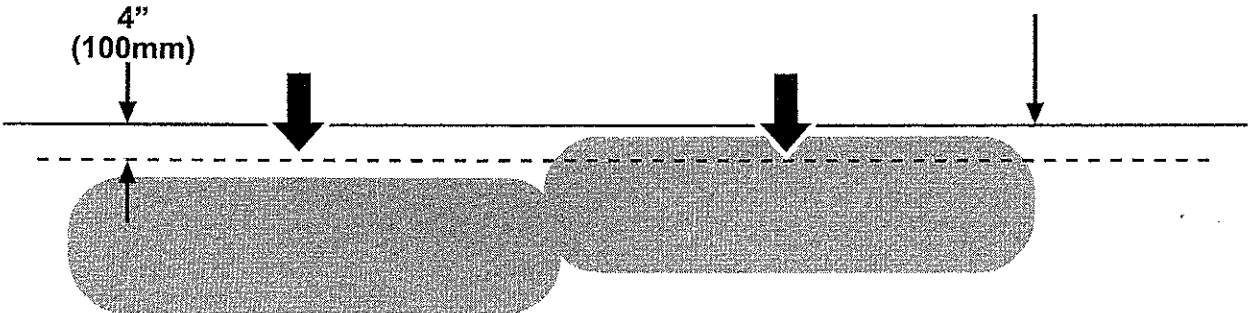
TOP EDGE OF THE FOG LIGHT PATTERN  
MEASUREMENT TAKEN IN STEP 6 KNOW AS  
THE LAMP HORIZONTAL REFERENCE



TOP EDGE OF FOG LIGHT PATTERN  
SHOULD ALIGN VERTICALLY 4 INCHES UNDER THE LAMP HORIZONTAL REFERENCE

HEADLAMP AIMING DIAGRAM

TOP EDGE OF THE FOG LIGHT PATTERN  
MEASUREMENT TAKEN IN STEP 6 KNOW AS  
THE LAMP HORIZONTAL REFERENCE



**INCORRECT**