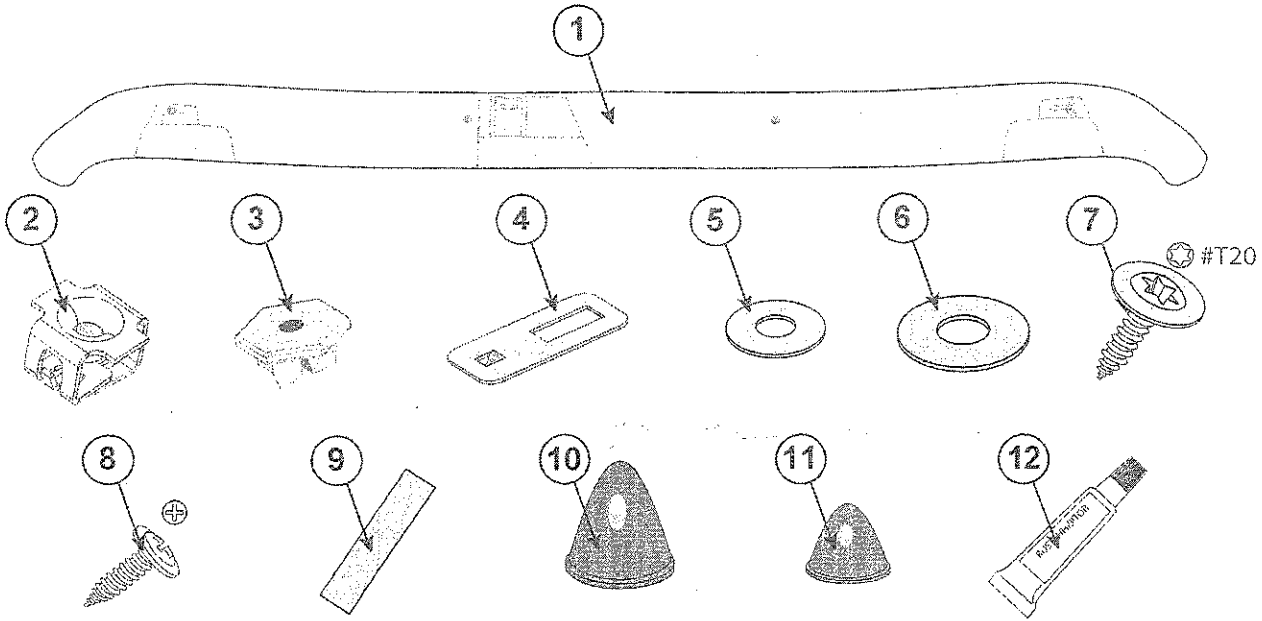


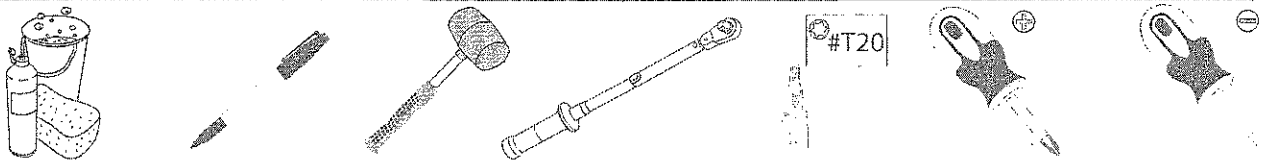


# JEEP WRANGLER HOOD DEFLECTOR

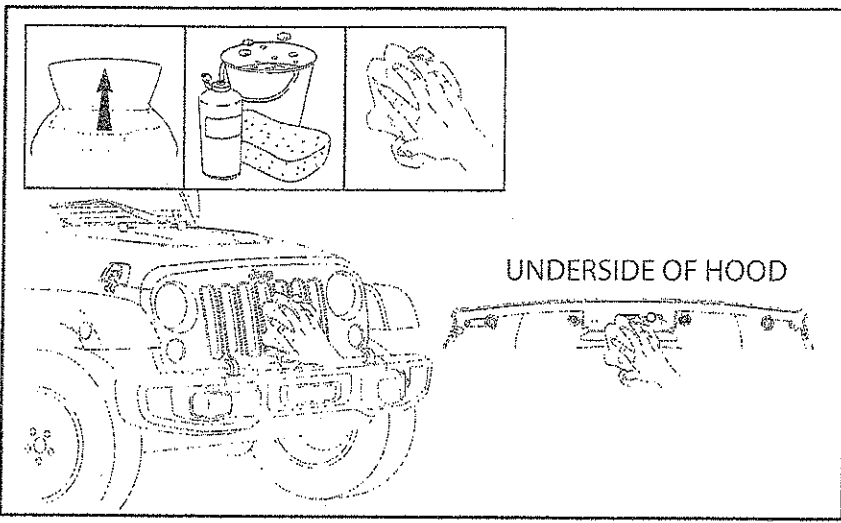
www.mopar.com



Call Out	Description	Quantity	Part Number
1	Hood Deflector	1	82215367AB
2	Nut Insert	1	
3	Octagonal Plug	2	
4	Clip	2	
5	Small Washer	2	
6	Large Washer	1	
7	T20 Torx Screw	1	
8	Phillips Head Screw	2	
9	Tape Strip	3	
10	Large 19mm Bumpon	2	
11	Small 15mm Black Bumpon	4	
12	Rust Inhibitor	1	

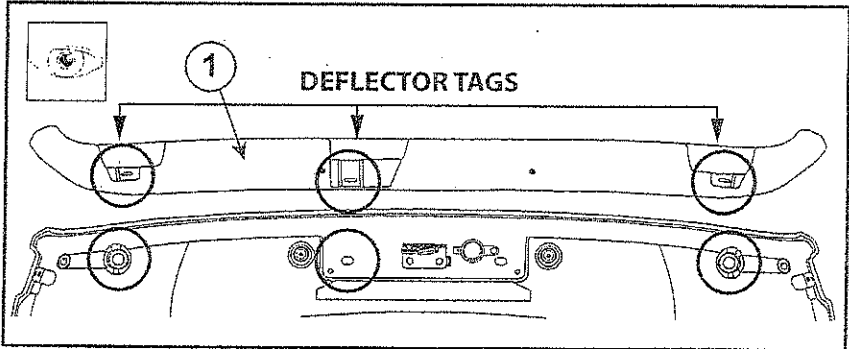


1. Open the hood.  
 Thoroughly clean the top and underside of the hood and surrounding areas.  
 Wipe away any residue and allow to completely dry.



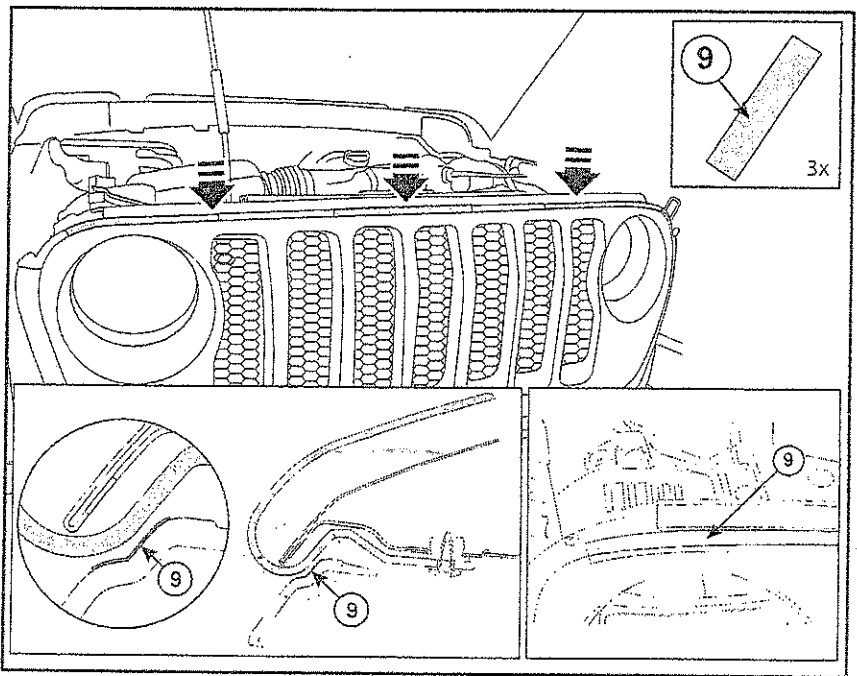
UNDERSIDE OF HOOD

2. Trial fit the Hood Deflector.

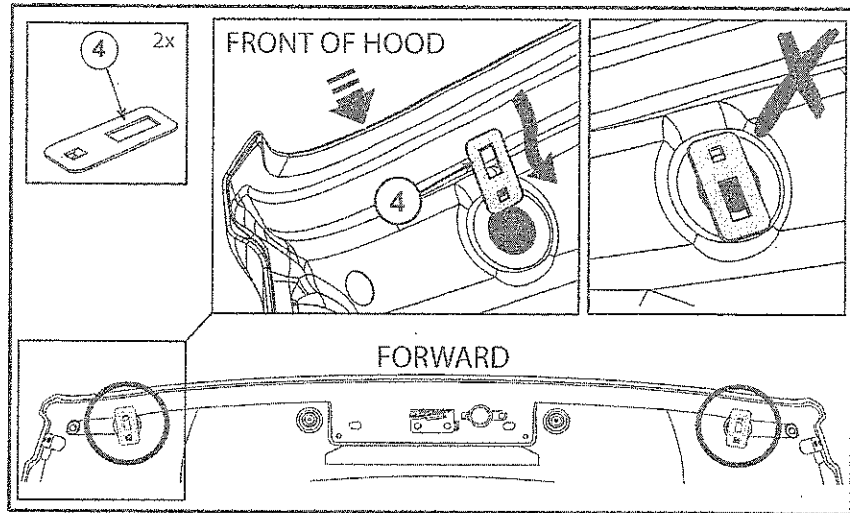


3. Note the location of the deflector tags and adhere the three tape strips (9) to the grille.

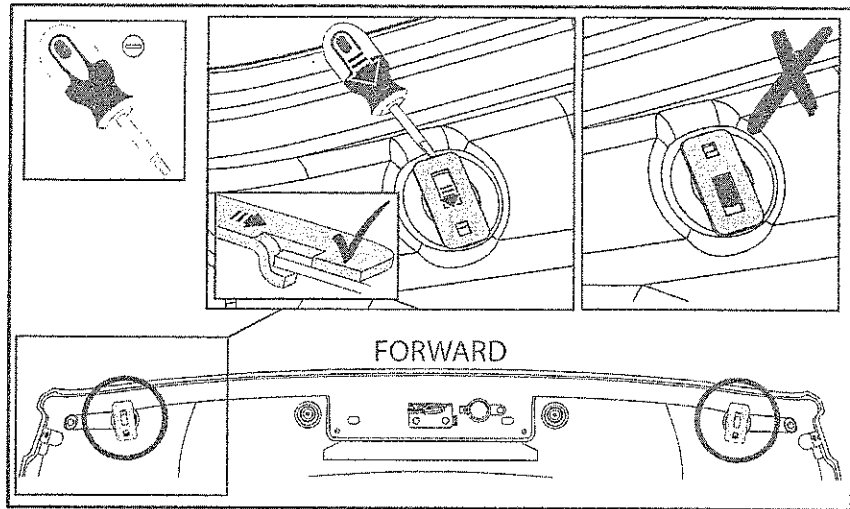
Placement of the tape wraps down grille radii to bottom of radii tangent under each deflector tag location as shown.



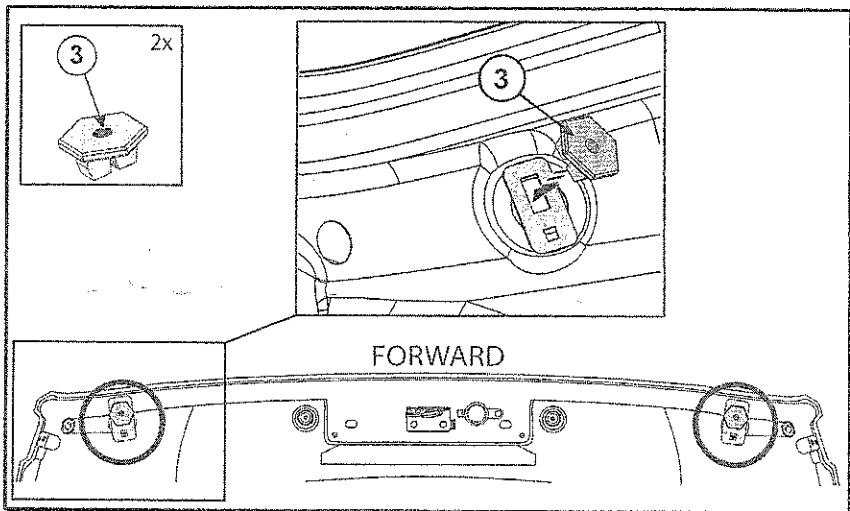
4. Slide a clip (4) into each hole and ensure that the hook is engaged under the sheet metal.



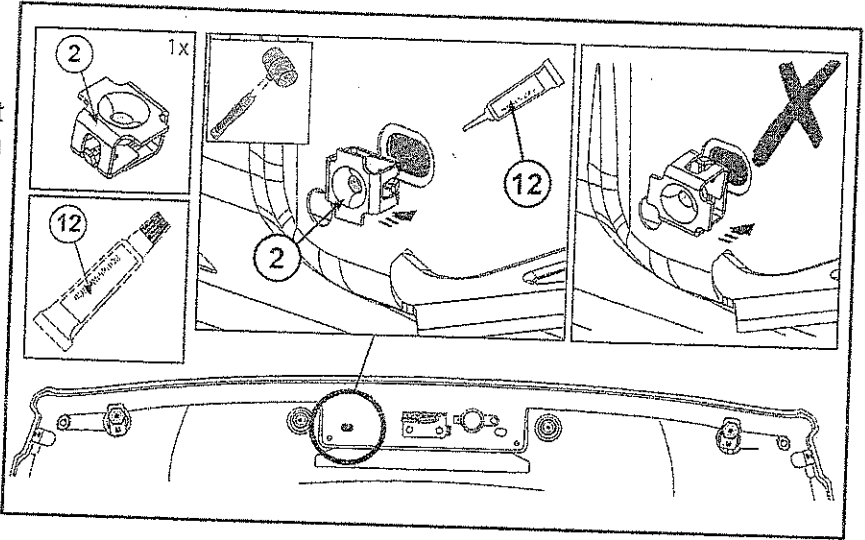
5. Tap the clip with a screwdriver to push it so that the hook is fully seated on the hood.



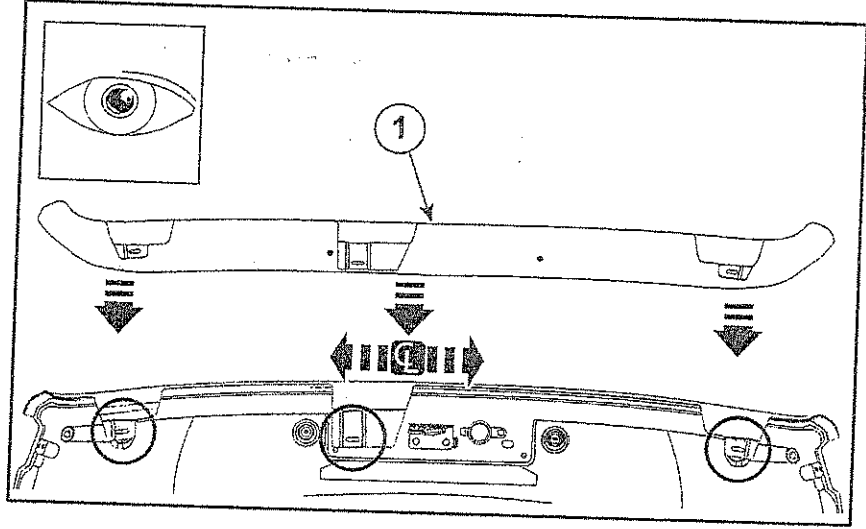
6. Align the octagonal plug (3) with the rectangular hole and press it into the clip as shown.



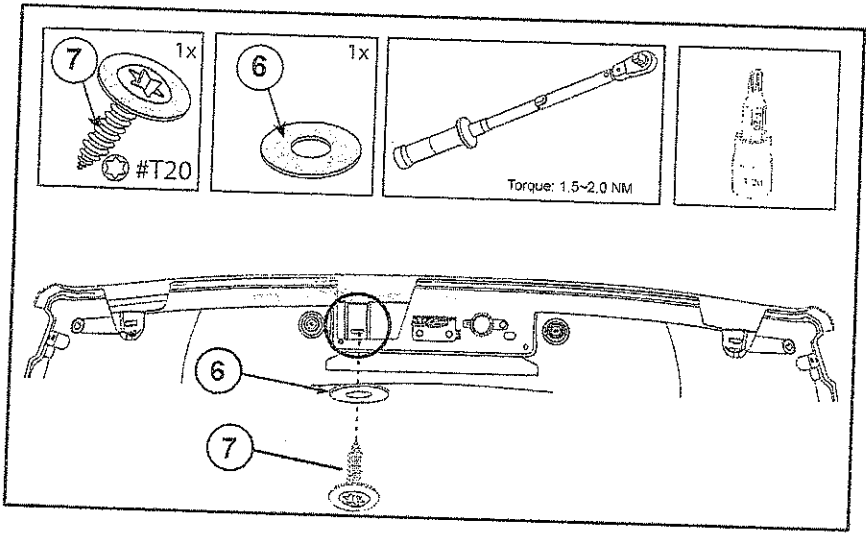
7. Apply rust inhibitor (12) to the centre rectangular slot in the hood. Allow 2 minutes for rust inhibitor to dry. Fit the square nut insert (2) into it the slot as shown using a rubber mallet to seat the plug flush against the hood.



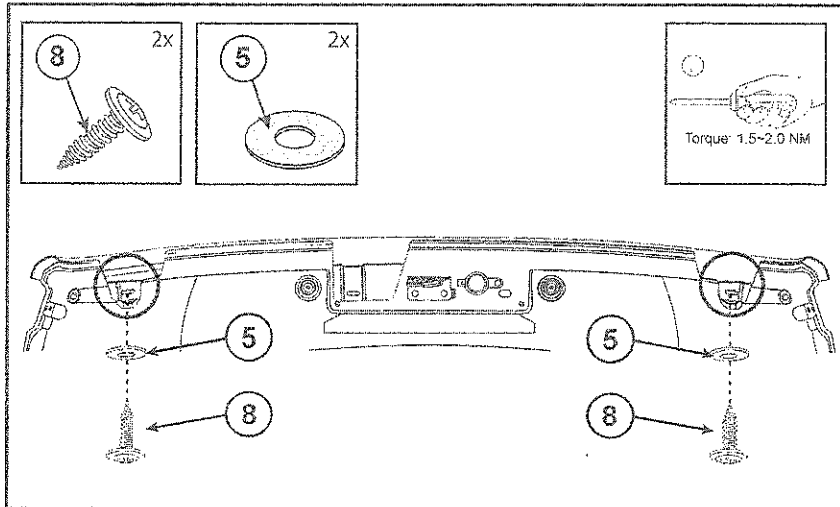
8. Re-fit the Hood Deflector (1).



9. Secure the central tag of the Hood Deflector with the T20 screw (7) and large washer (6).



10. Secure the outer tags of the Hood Deflector with the philips head screws (8) and small washers (5) provided.

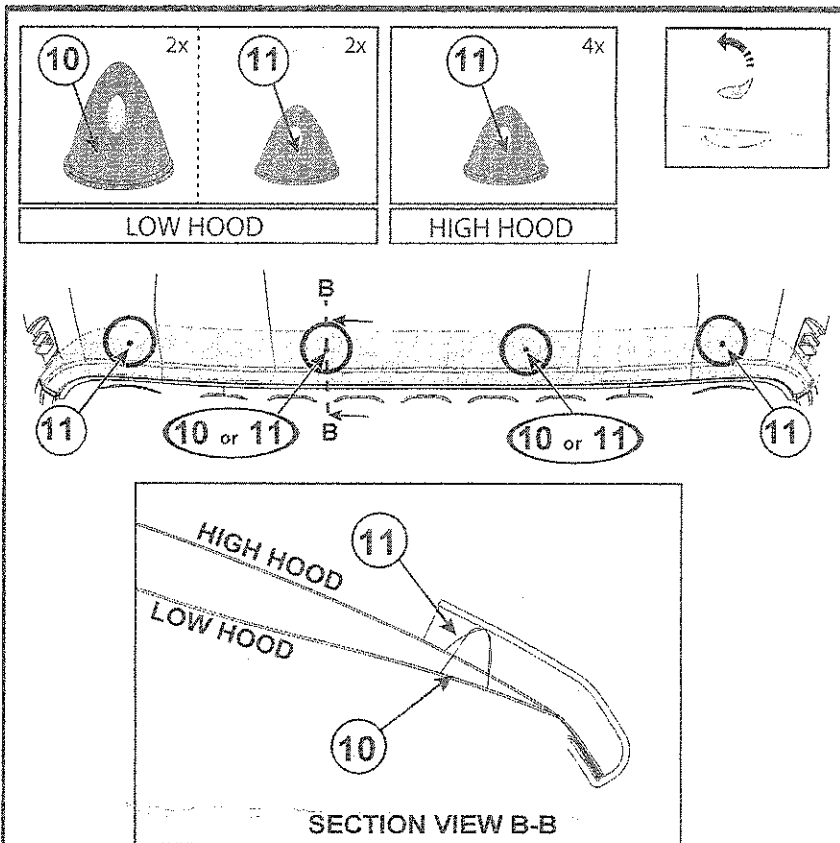


11. Close the hood.

At the four bumpon positions which are indicated by the small bumpon location stickers on the Hood Deflector, adhere a bumpon directly to the hood underneath each sticker.

Peel off and discard the bumpon location stickers when complete.

**Note:** Use the correct bumpons at the noted locations.



**Note:** If distance from hood to deflector is 15 mm or less, use Small Bumpon (11). If distance from hood to deflector is greater than 15 mm, use Large Bumpon (10).