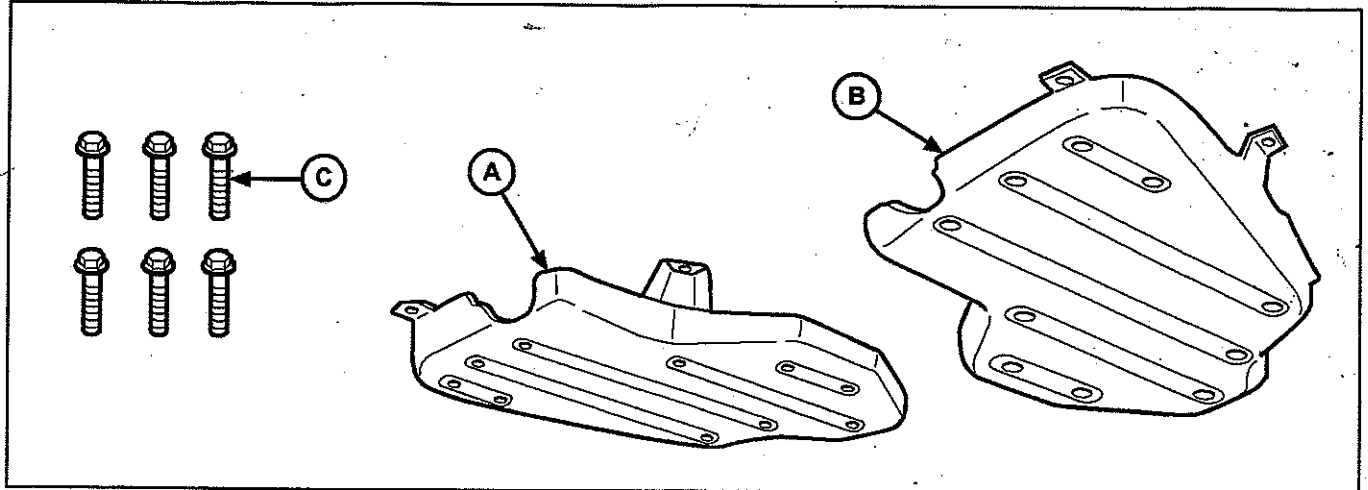




Fuel Tank Skid Plate

JEEP GRAND CHEROKEE

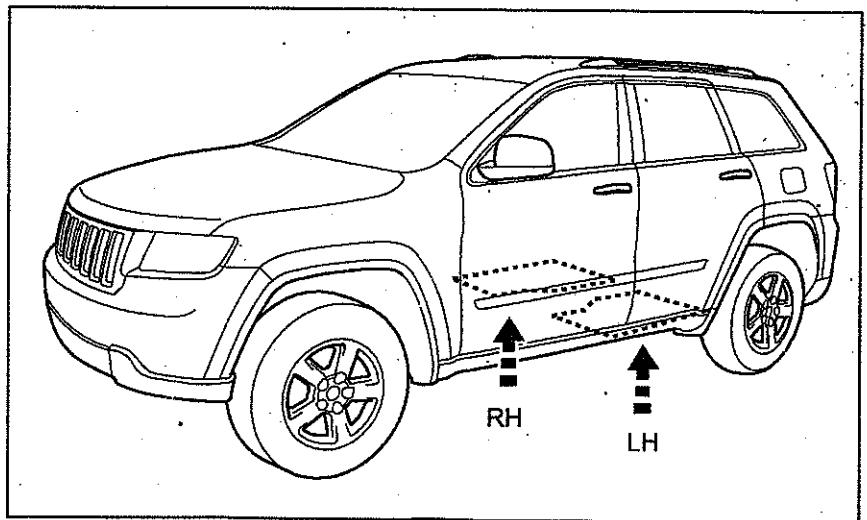


CALL OUT	DESCRIPTION	QUANTITY
A	RH Fuel Tank Skid Plate	1
B	LH Fuel Tank Skid Plate	1
C	Flange Bolt	6

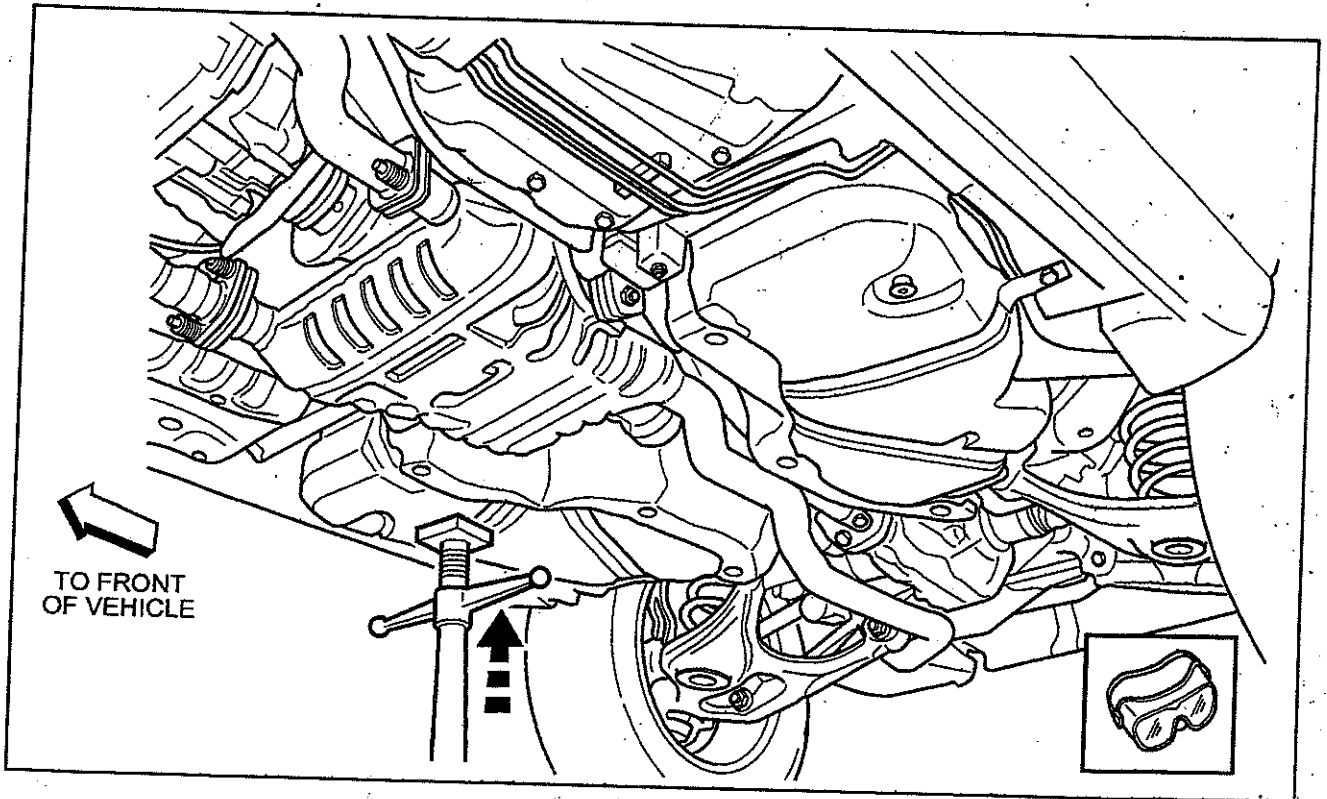
FUEL TANK SKID PLATE

1. Mounting location shown.

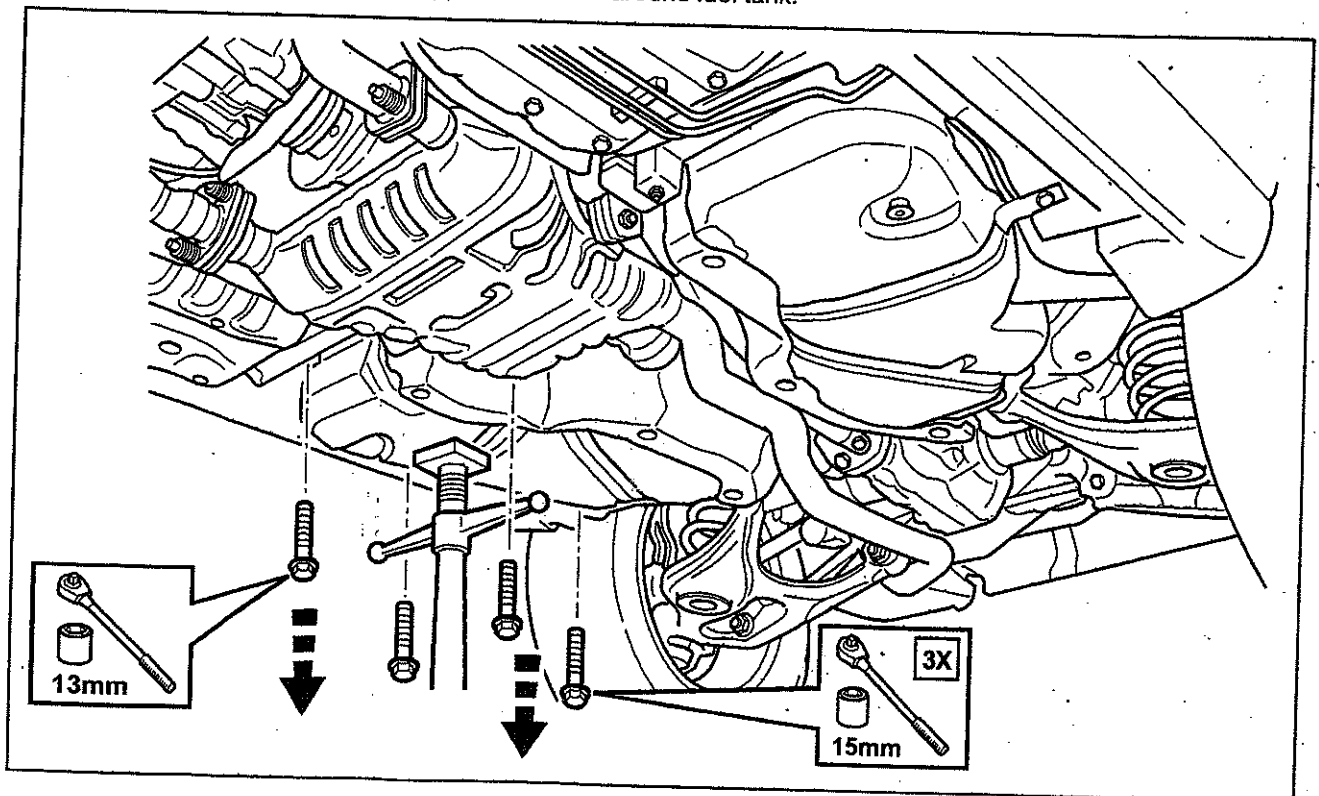
NOTE: Drain fuel from tank before performing installation.



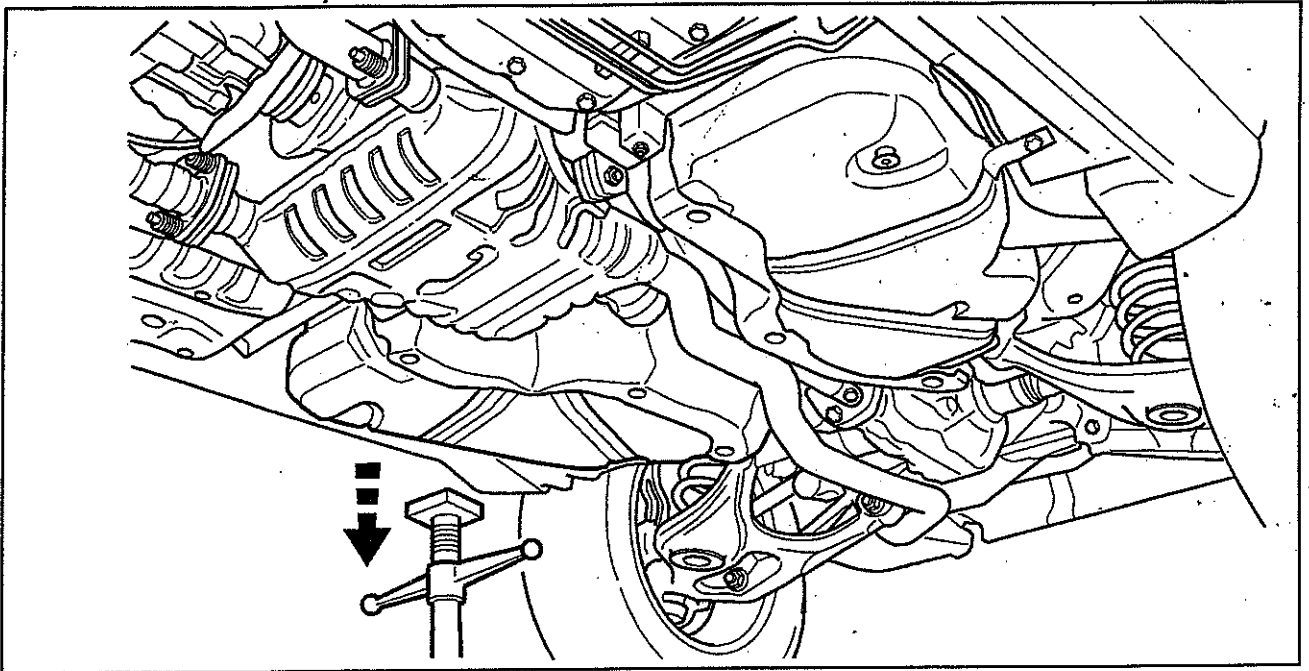
- Support RH side of fuel tank with jack stand.



- Remove (1) 13mm and (3) 15mm support bolts from around fuel tank.

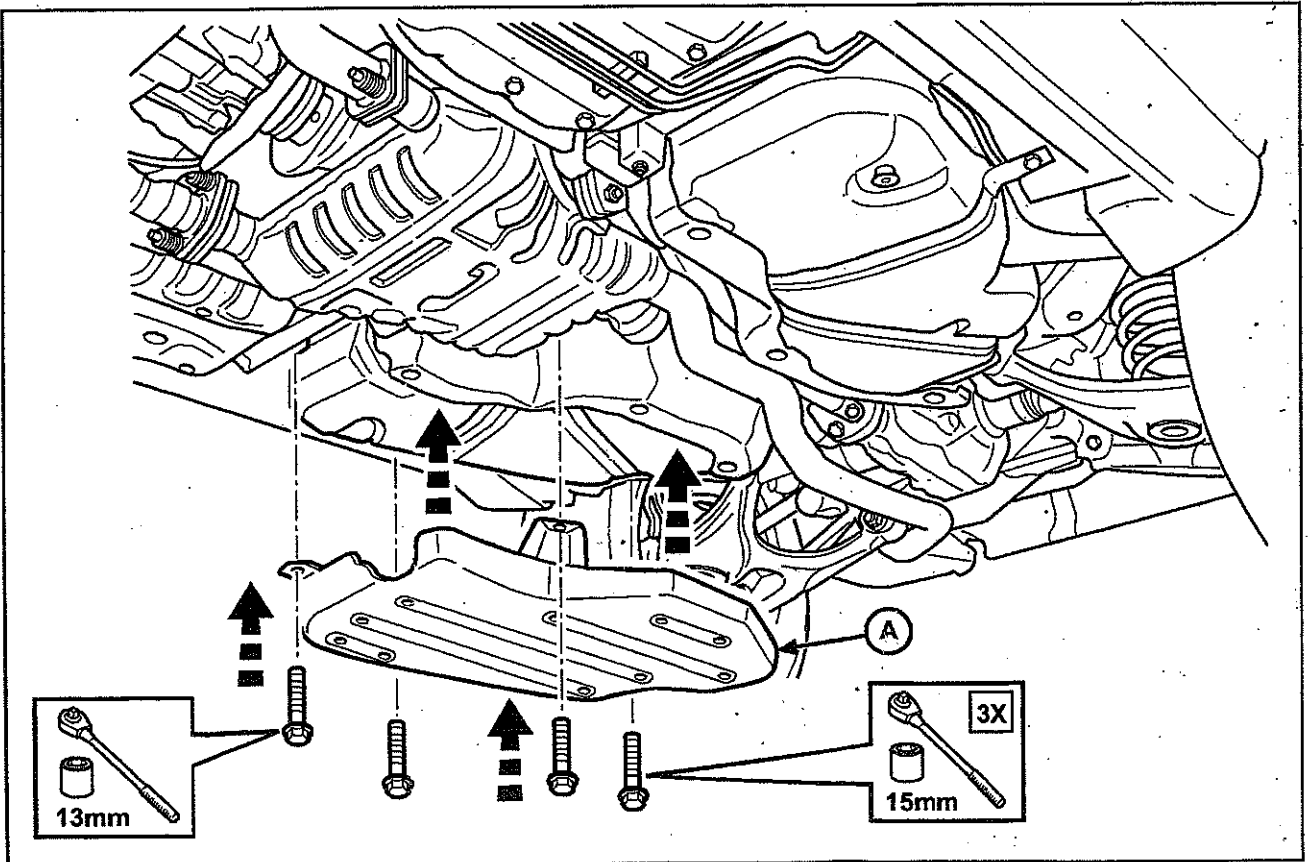


- 4. Carefully lower jack stand from beneath the fuel tank. Fuel tank will sag slightly, but remain supported to vehicle.



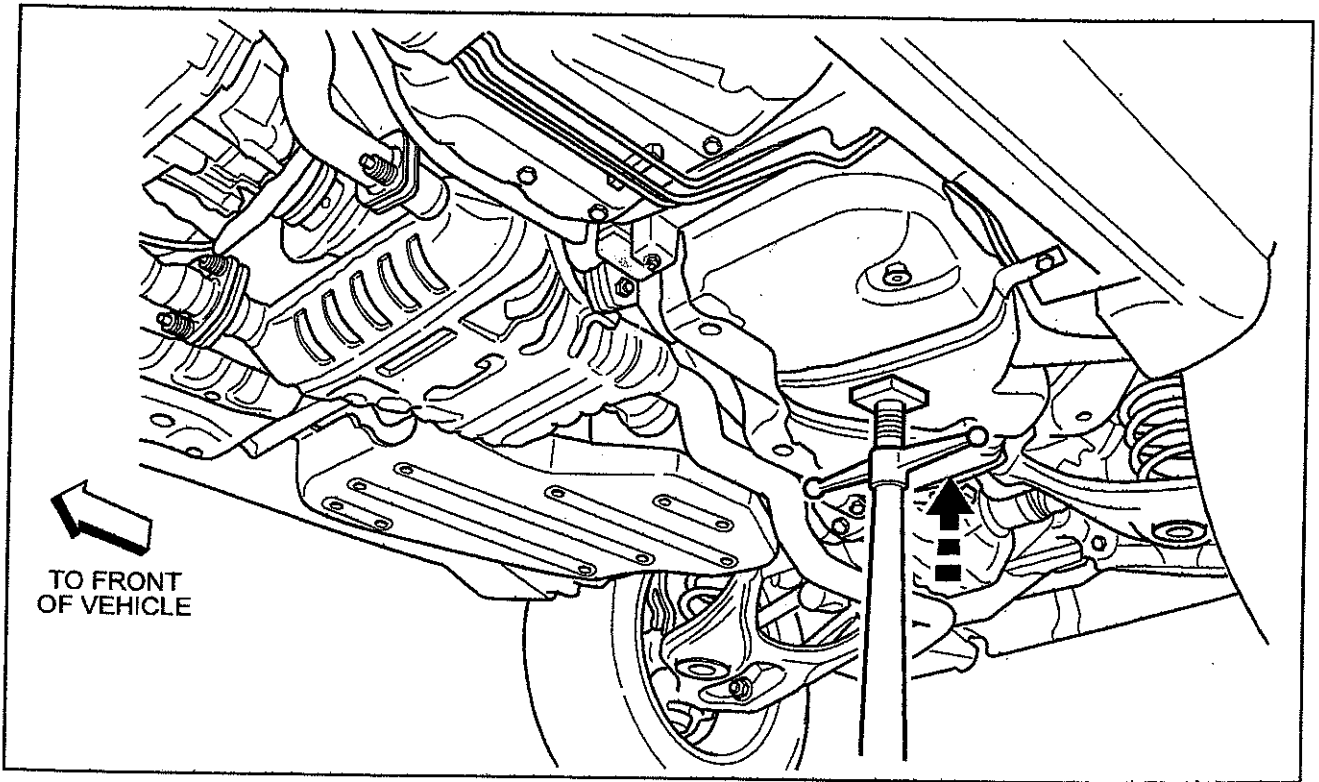
- 5. Install RH Fuel Tank skid plate using (1) 13mm and (3) 15mm support bolts from around fuel tank.

NOTE: Be sure to align tank straps properly when reinstalling bolts.
Use a jack stand to support the skid plate and fuel tank if necessary during installation.

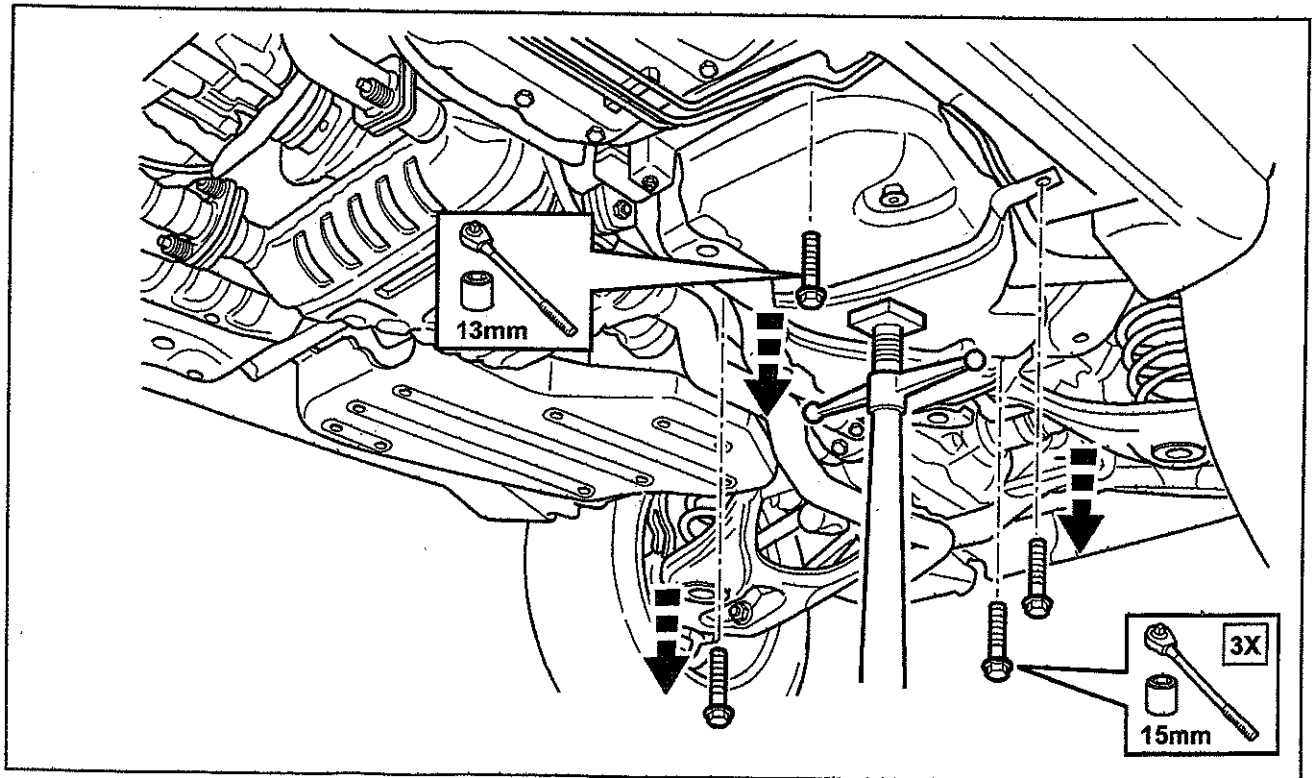


4

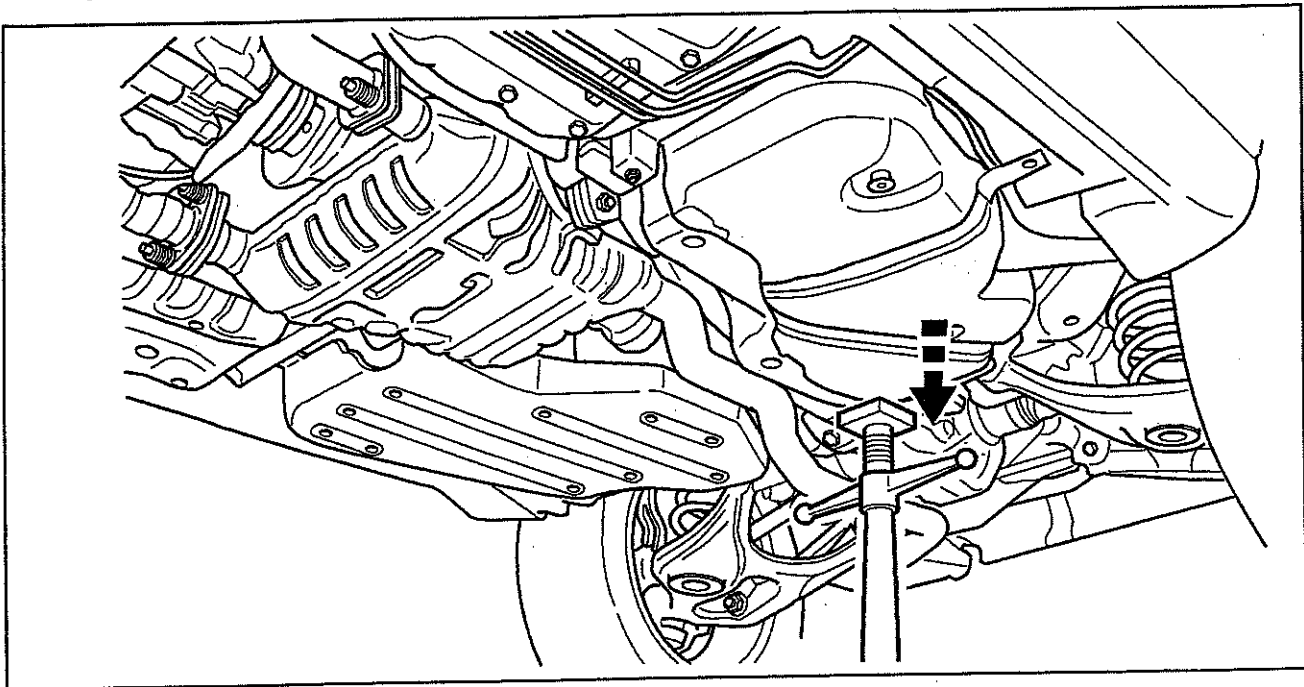
6. Support LH side of fuel tank with jack stand.



7. Remove (1) 13mm and (3) 15mm support bolts from around fuel tank.



8. Carefully lower jack stand from beneath the fuel tank. Fuel tank will sag slightly, but remain supported to vehicle.



9. Install LH Fuel Tank skid plate using (1) 13mm and (3) 15mm support bolts from around fuel tank.

NOTE: Be sure to align tank straps properly when reinstalling bolts.
Use a jack stand to support the skid plate and fuel tank if necessary during installation.

