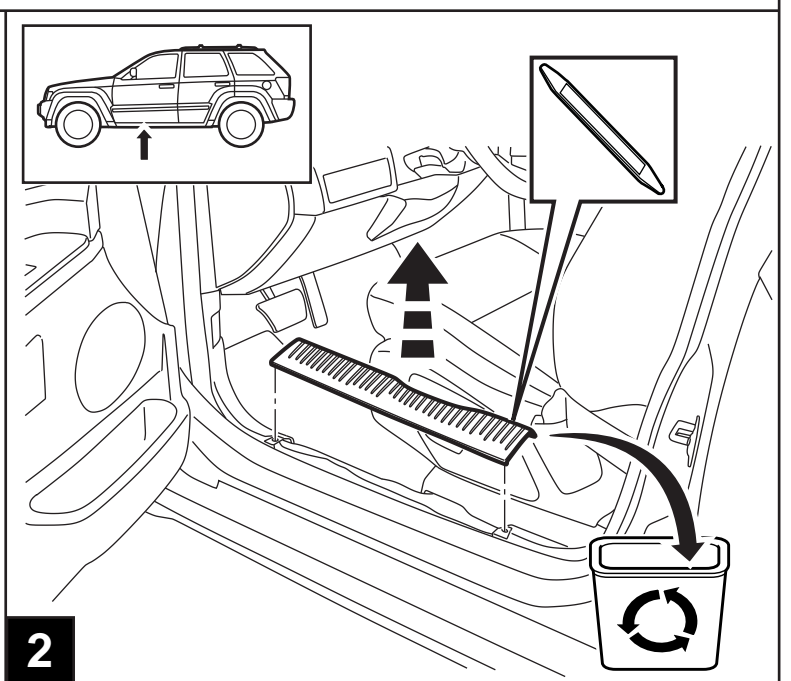
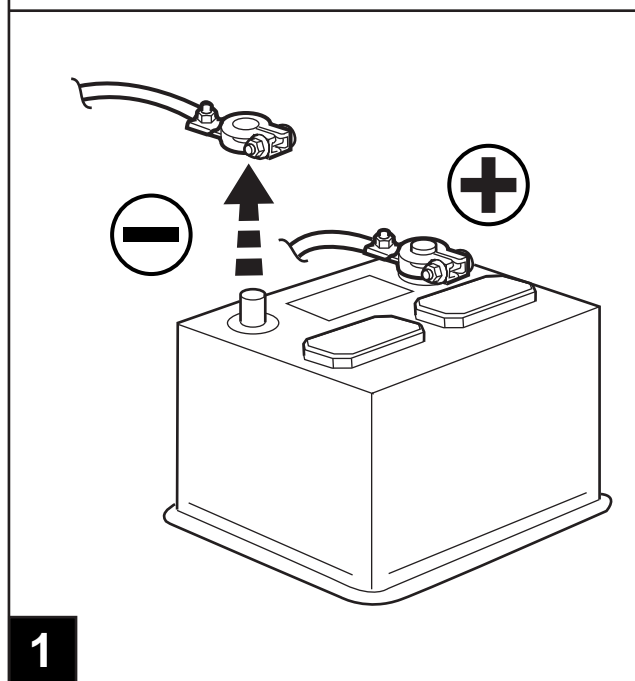
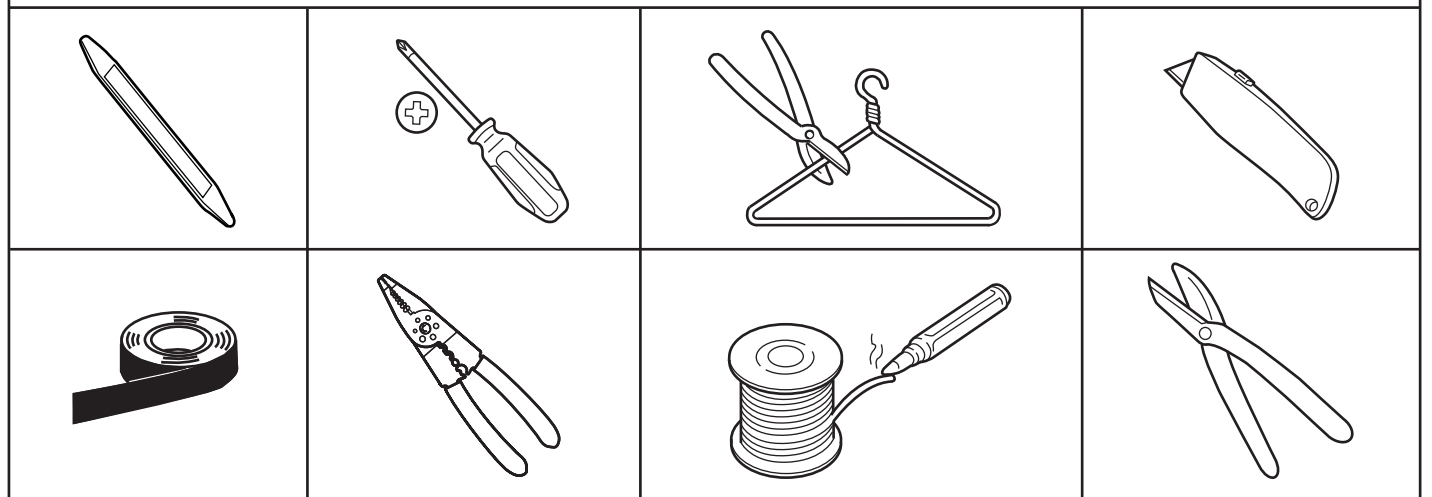
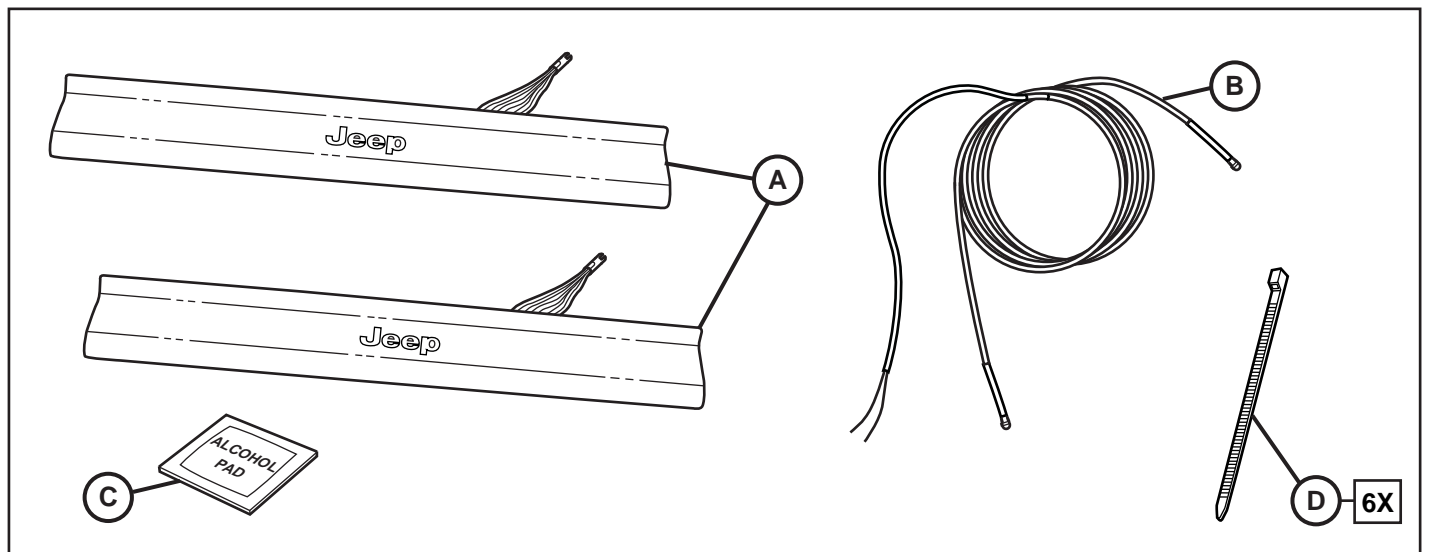
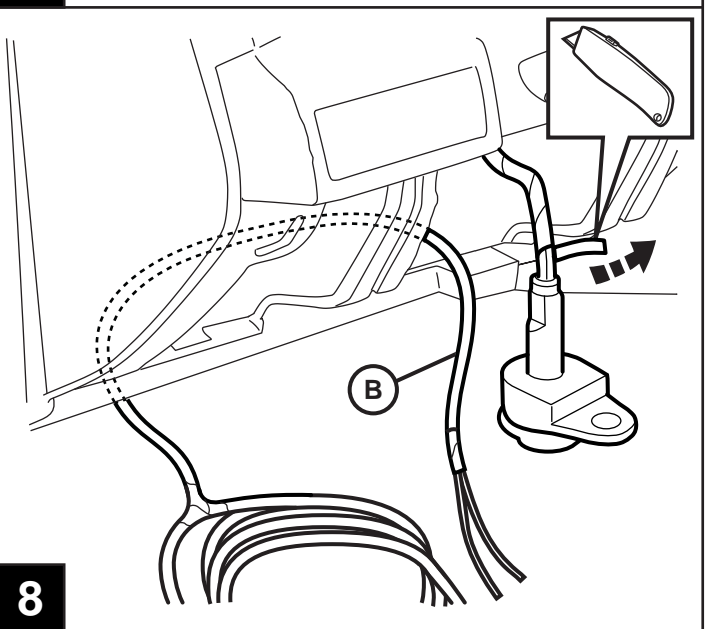
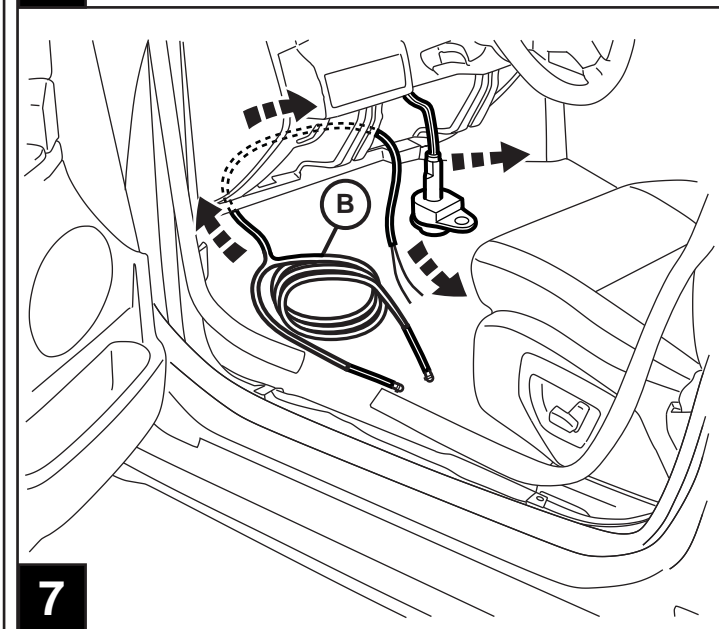
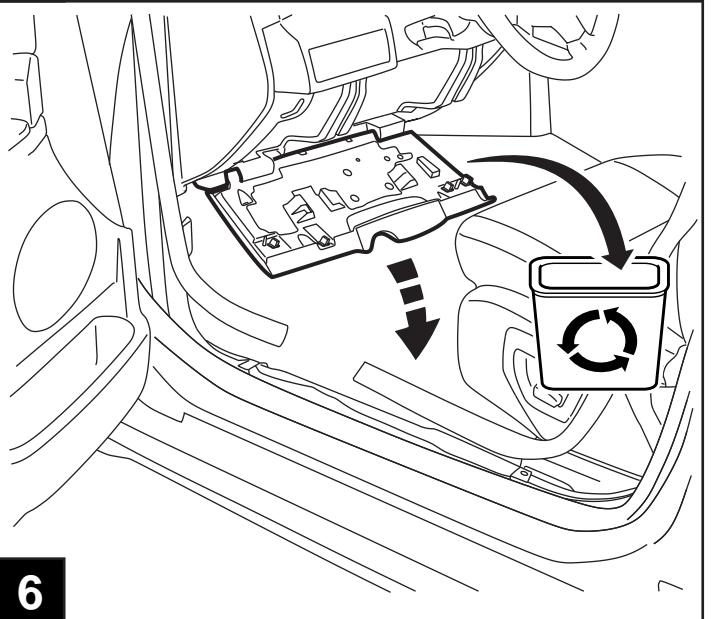
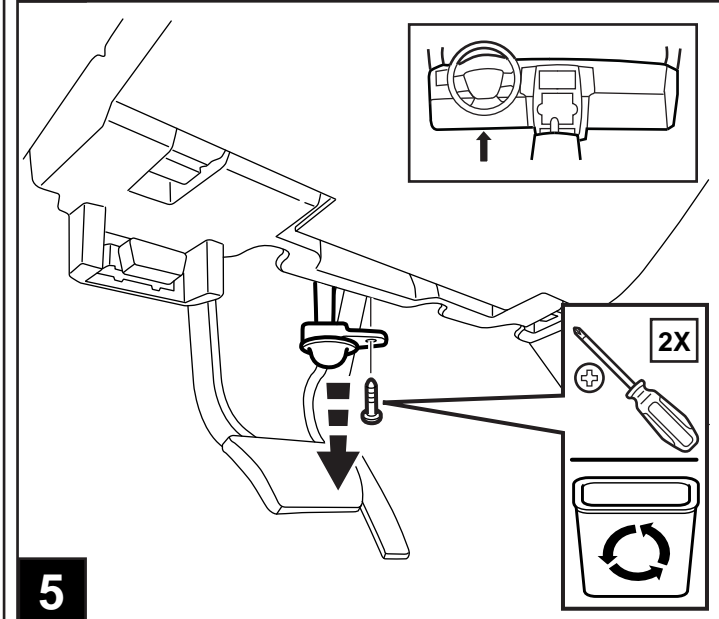
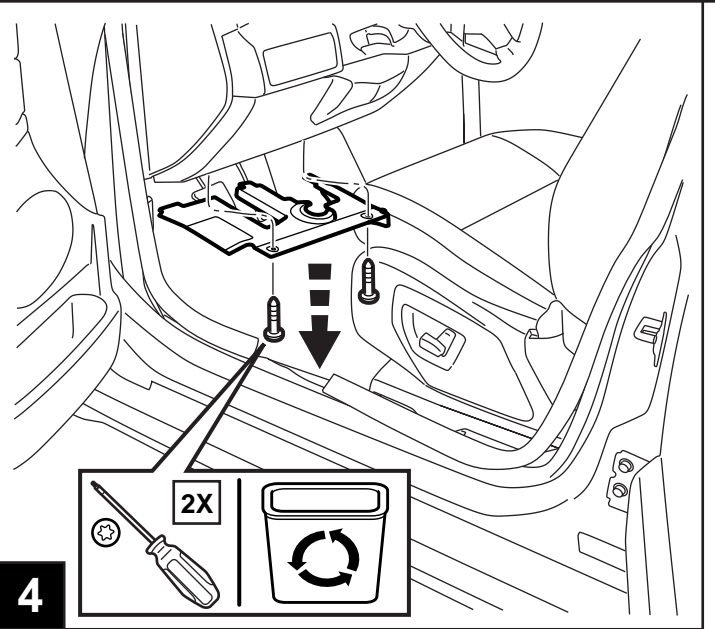
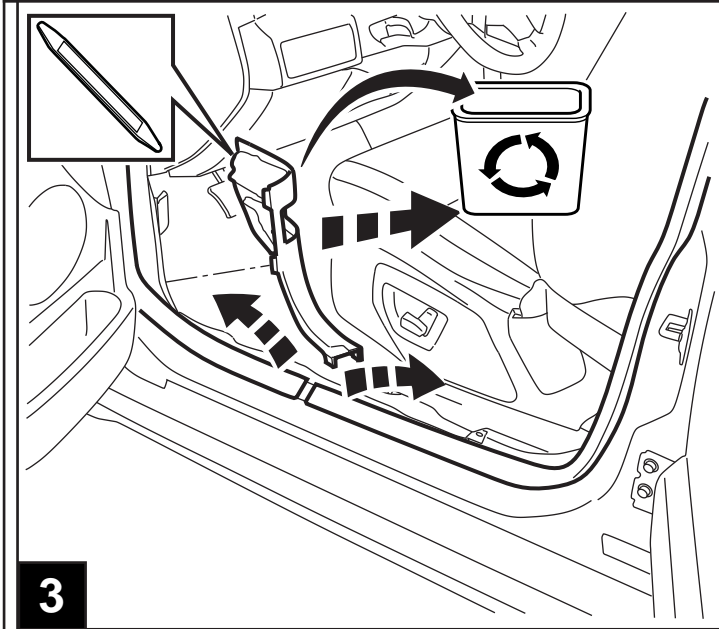


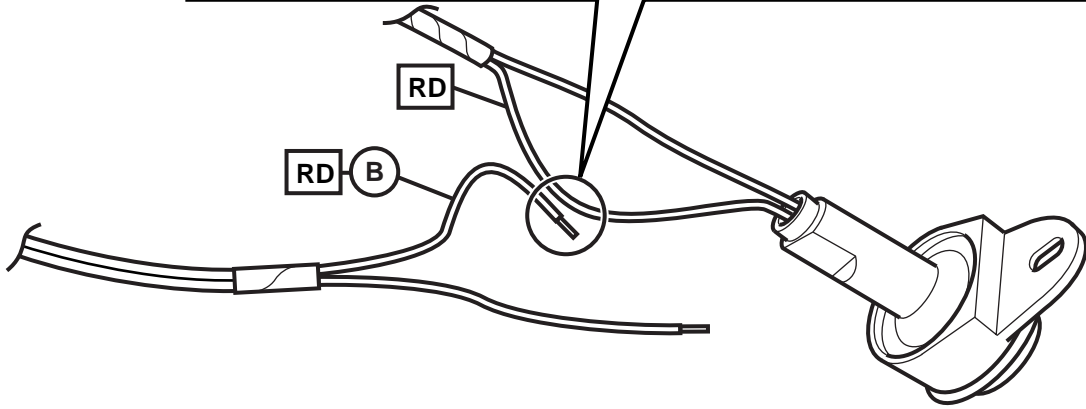
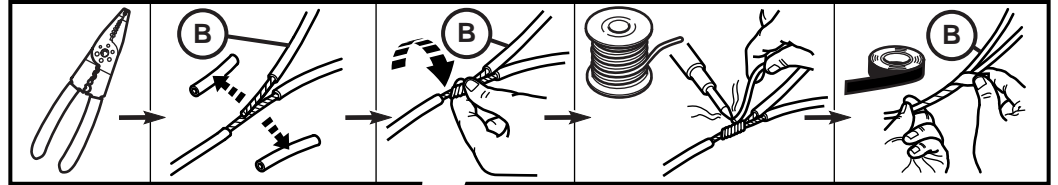
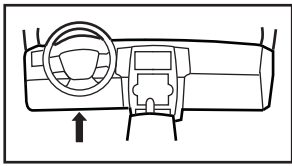


# JEEP GRAND CHEROKEE

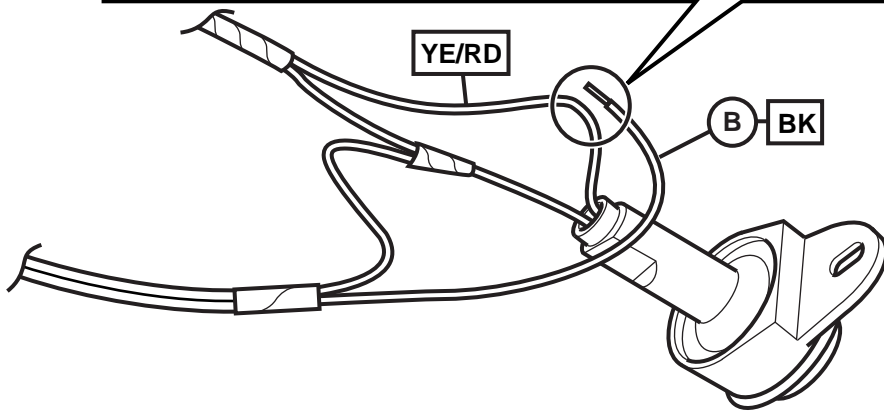
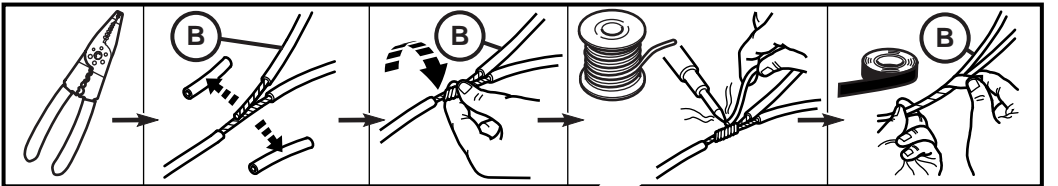
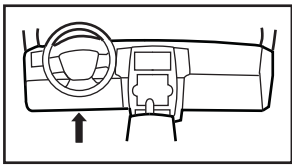
## Illuminated Sill Plates



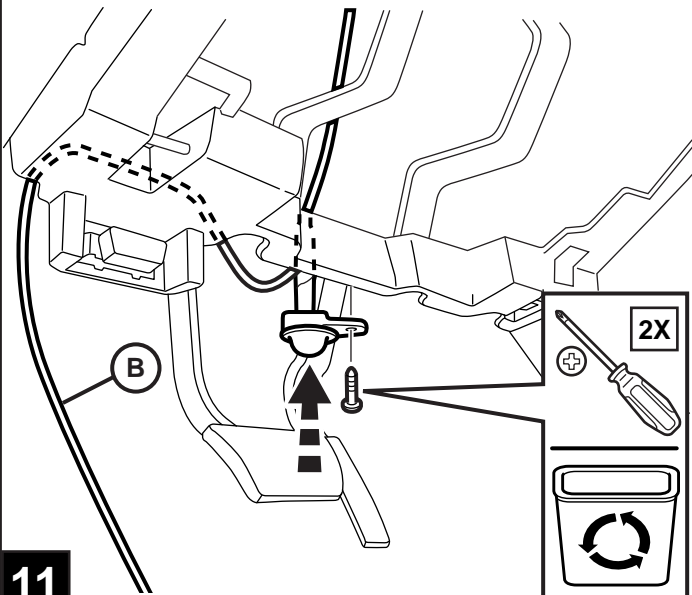




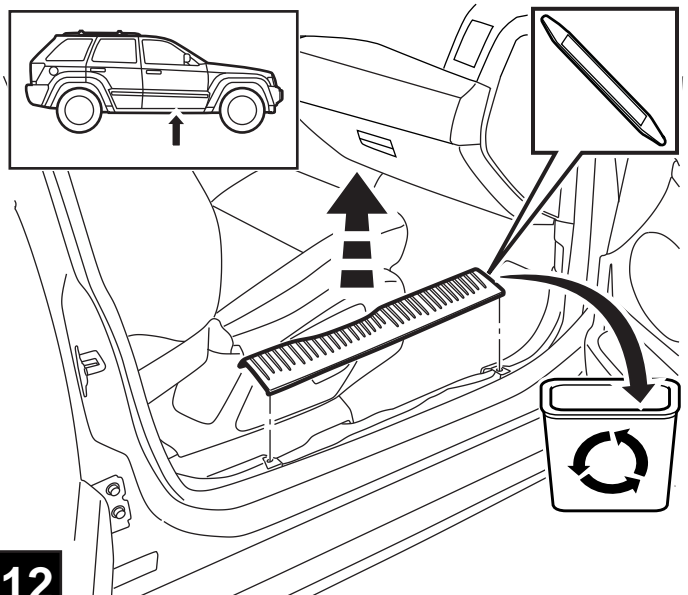
9



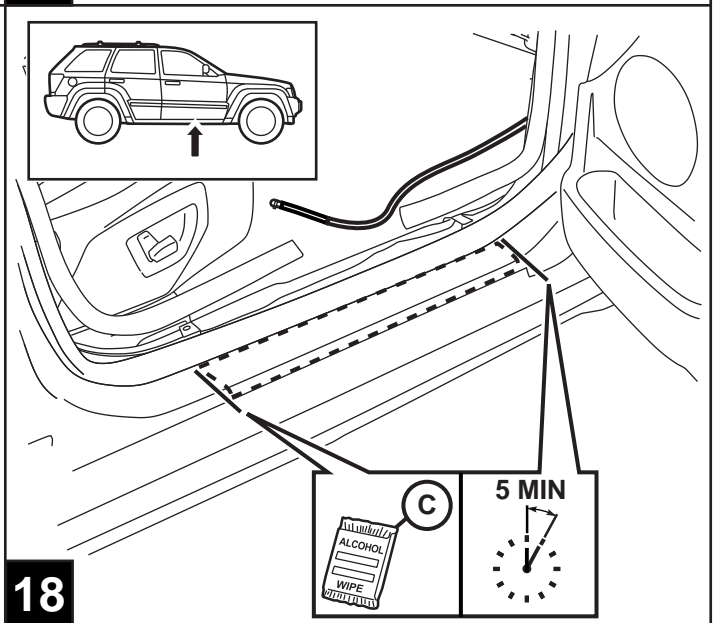
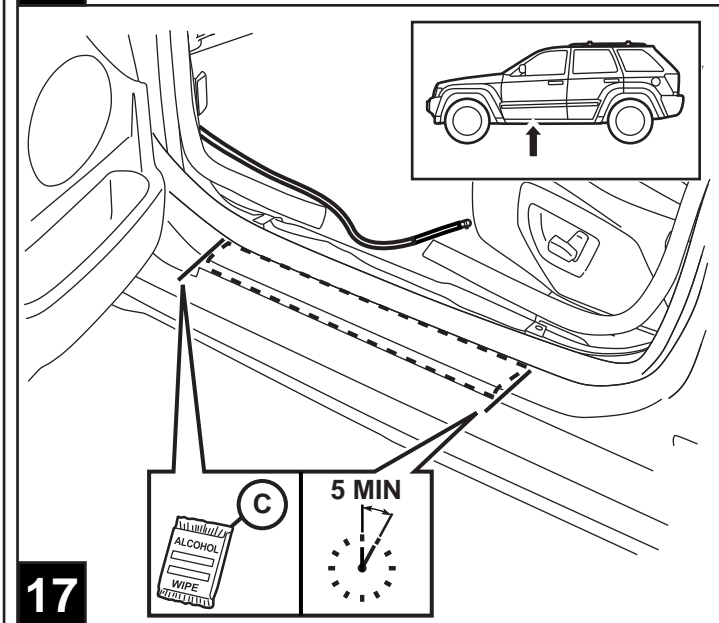
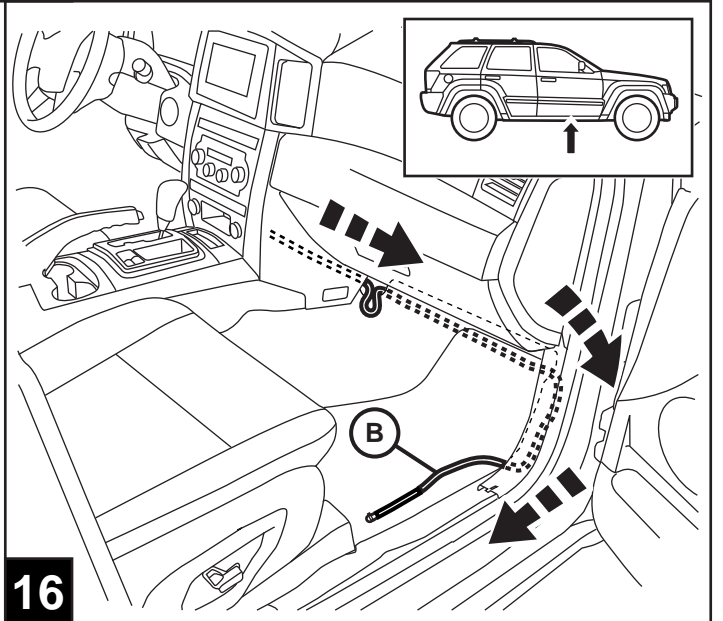
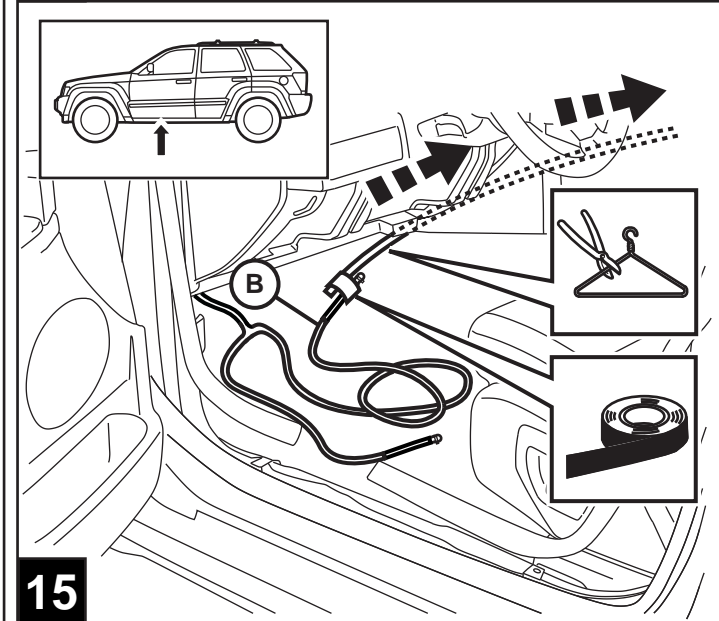
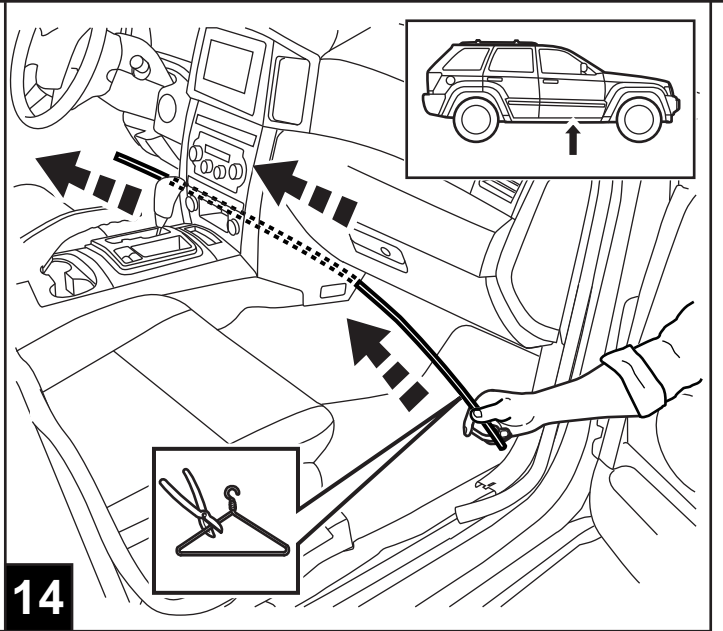
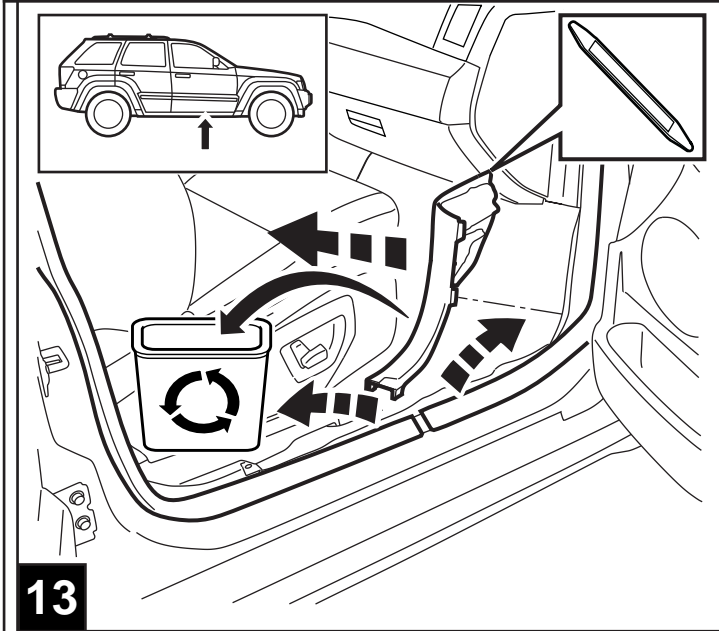
10

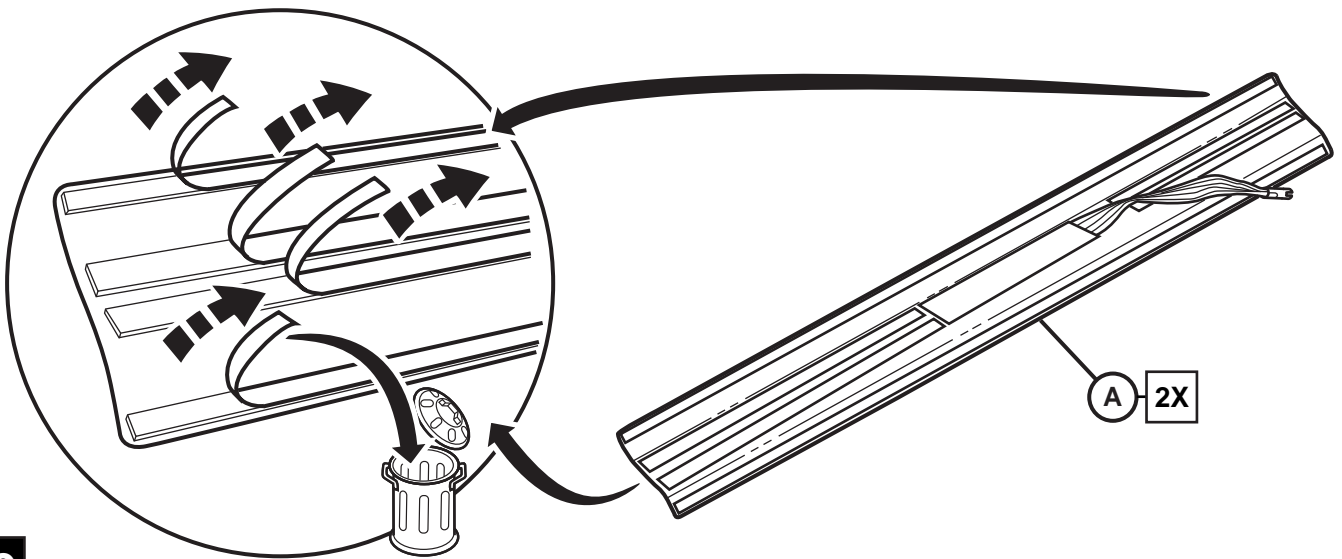


11

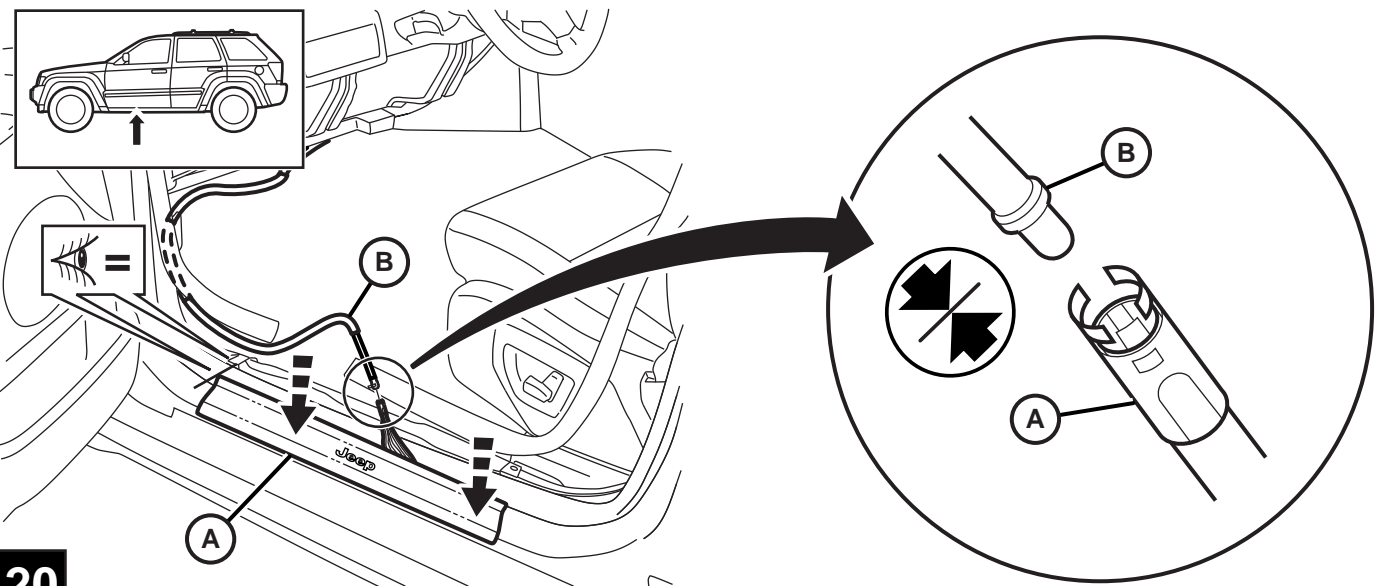


12

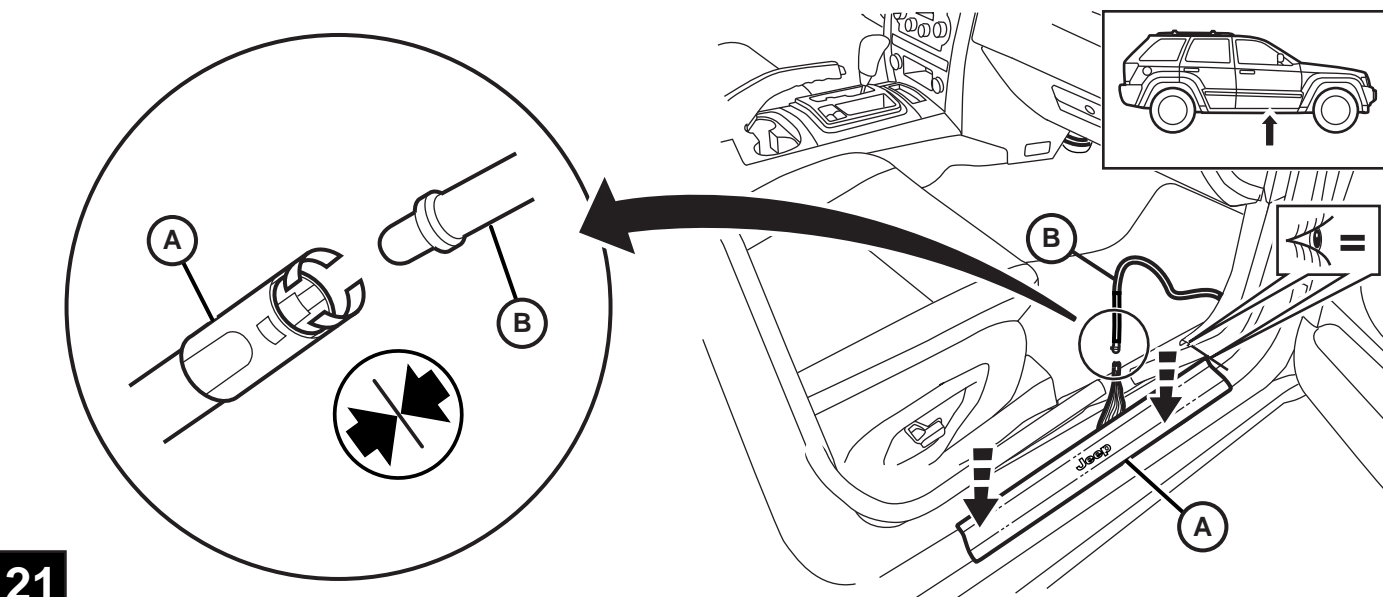




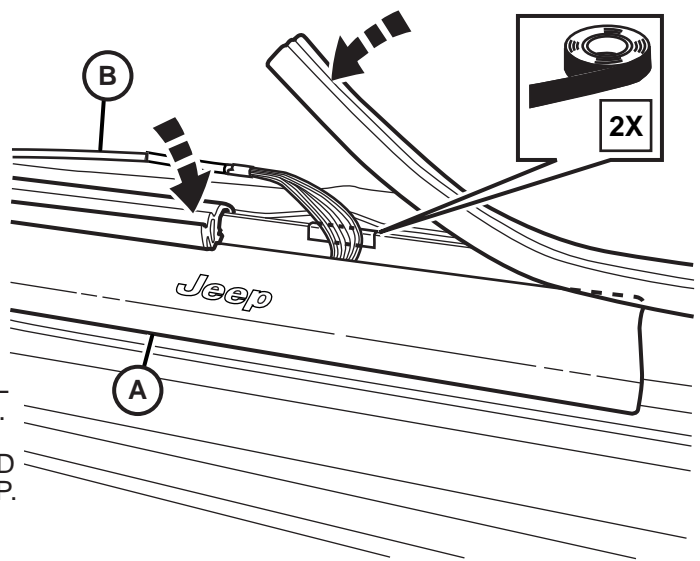
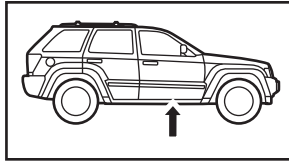
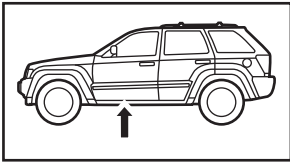
19



20



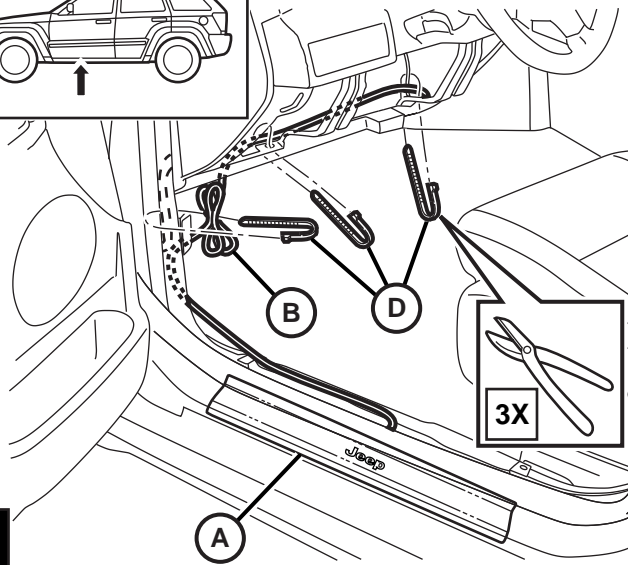
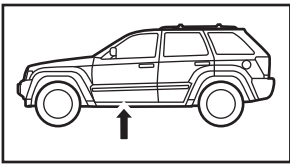
21



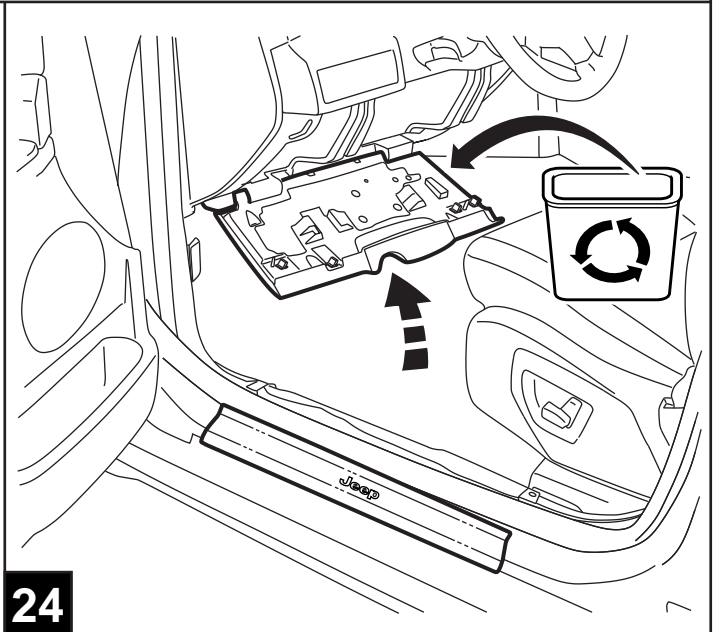
**2X** NOTE: PLACE 2 LAYERS OF TAPE ON METAL FLANGE TO REDUCE SHARP EDGES.

FAN OUT FIBER OPTICS OVER TAPED AREA AND REPLACE WEATHERSTRIP.

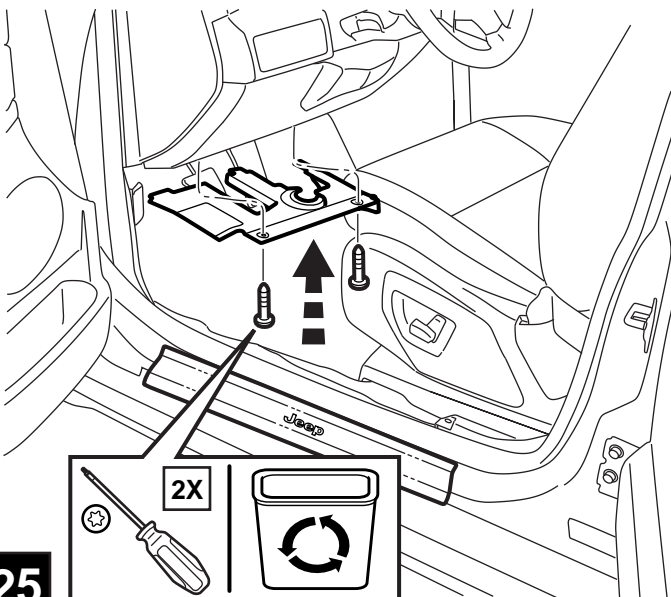
**22**



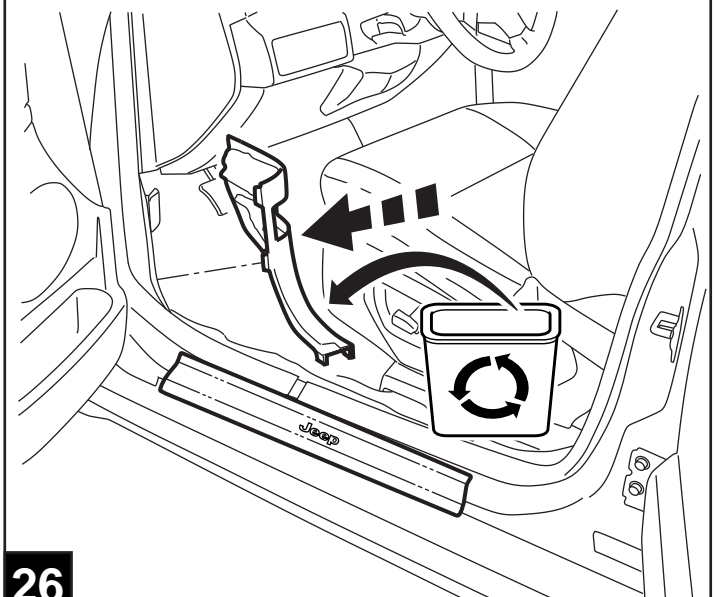
**23**



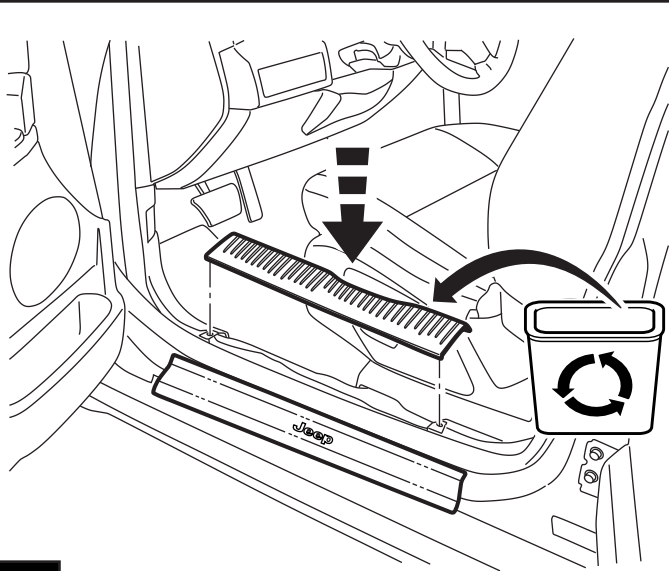
**24**



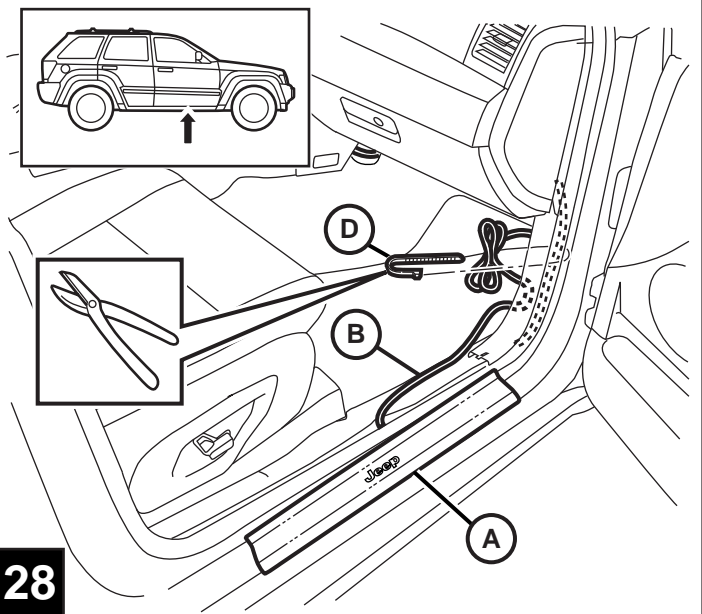
**25**



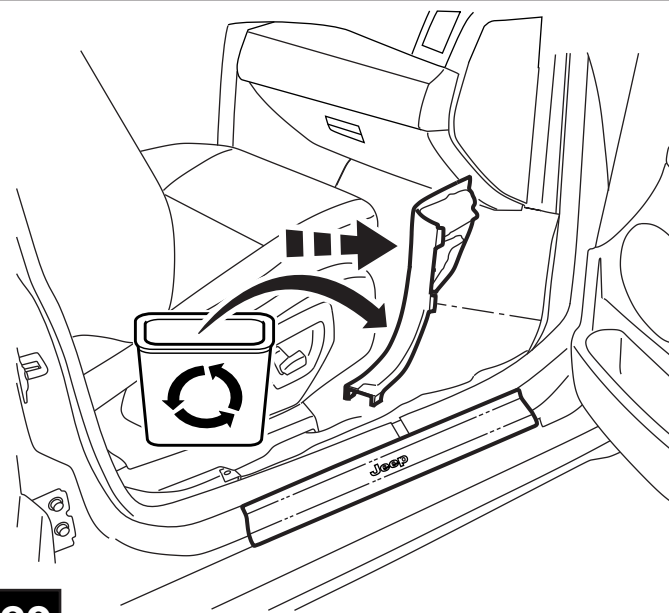
**26**



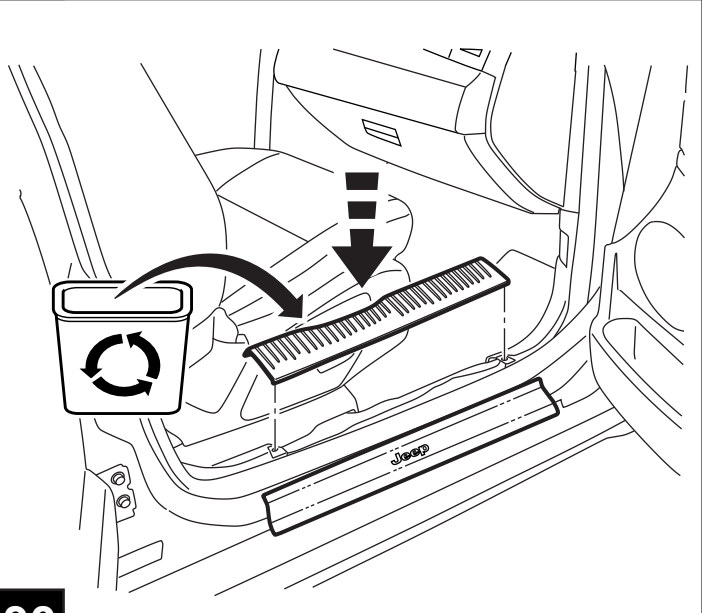
27



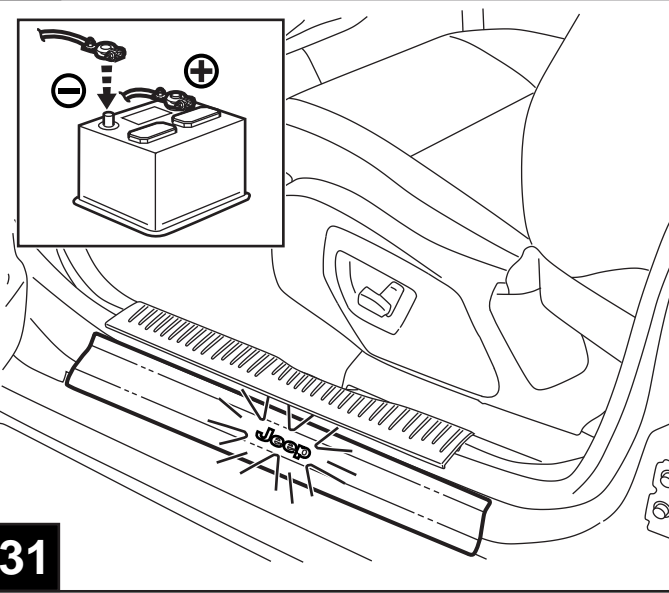
28



29



30



31

