

CHRYSLER WK / MK-74 ROOF LUGGAGE CARRIER
CROSSRAIL INSTALLATION INSTRUCTIONS
FOR CHRYSLER PARTS #55157114AE - WK
and #55157113AE - MK-74

FOLLOW INSTRUCTIONS FOR PROPER INSTALLATION AND SAFE OPERATION

1. Place front crossrail over the siderails at the 2nd position from the front of vehicle. (see figure 2) Align molded in arrowhead on crossrail stanchion to stamped-in arrowhead on siderail. (see figure 3)

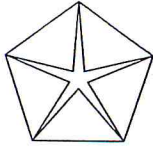
****IMPORTANT** TO PREVENT EXCESSIVE WIND NOISE, ENSURE THE MOLDED-IN ARROWHEAD ON CROSSRAIL STANCHIONS ARE POINTING TOWARD FRONT OF VEHICLE.**

2. Loosen knob 2.5 to 3 turns and slide clamp under siderail using knob. (**Caution: Take care to avoid scratching roof when sliding clamp under siderail.**) Insert clamp tooth into slot in bottom of siderail. (see figure 5a) Hand tighten knob until a snap is heard indicating the clamp is fully seated over the snap fit retainers. (see figure 4) Ensure clamp tooth is fully engaged into slot in bottom of siderail. (see figure 5a and 5b) Continue tightening knob by hand until it just becomes snug against stanchion.

Do not fully tighten knob until step 2 is completed on the other side of crossrail.

3. Repeat step 2 on opposite side of crossrail. **Ensure clamp tooth is fully engaged into slot in bottom of both siderails.** (see figure 5a and 5b for correct and incorrect clamp tooth engagement)
4. Fully tighten knobs on both sides of crossrail by hand until crossrail does not slide cross-car inside stanchions when pulled or pushed. Ensure no looseness, rattling or sliding of crossrail. (**Caution: Do not use tools to tighten knob.**)
5. Place rear crossrail over the siderails. Align molded-in arrowhead on crossrail stanchion to stamped-in arrowhead on siderail at the 7th position from front of vehicle. (see figure 2)
6. Repeat steps 2, 3, and 4 on rear crossrail.

****IMPORTANT** ENSURE ALL FOUR CROSSRAIL CLAMPS ARE CORRECTLY SEATED INTO SNAP FIT RETAINERS AND INTO SLOT IN BOTTOM OF SIDERAIL. ENSURE KNOBS ARE FULLY TIGHTENED BY HAND AND FULLY SECURED TO SIDERAILS.**



CHRYSLER WK / MK-74 ROOF LUGGAGE CARRIER
CROSSRAIL INSTALLATION INSTRUCTIONS
FOR CHRYSLER PARTS #55157114AE - WK
and #55157113AE - MK-74

FOLLOW INSTRUCTIONS FOR PROPER INSTALLATION AND SAFE OPERATION

FIGURE 1

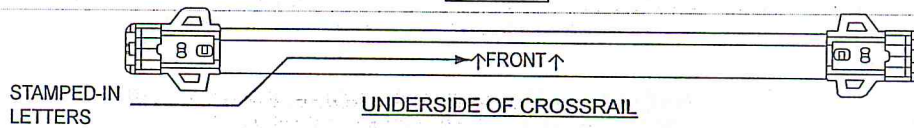


FIGURE 2

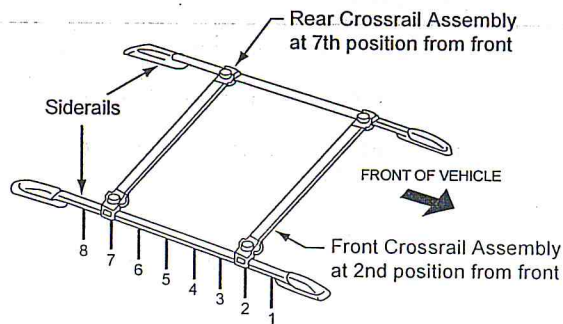
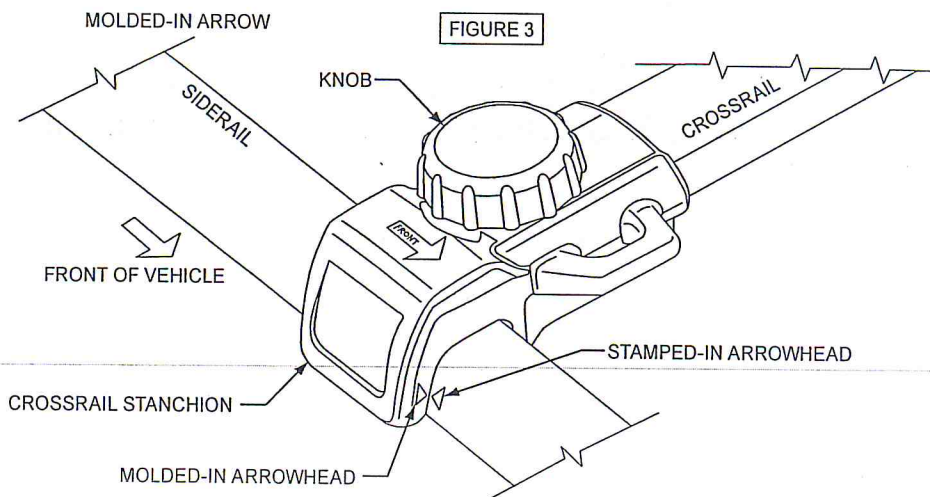
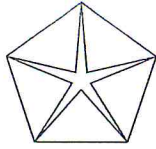


FIGURE 3





CHRYSLER WK / MK-74 ROOF LUGGAGE CARRIER
CROSSRAIL INSTALLATION INSTRUCTIONS
FOR CHRYSLER PARTS #55157114AE - WK
and #55157113AE - MK-74

FOLLOW INSTRUCTIONS FOR PROPER INSTALLATION AND SAFE OPERATION

FIGURE 4

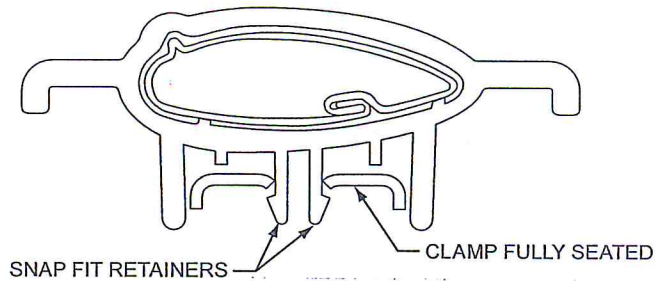


FIGURE 5A

CORRECT

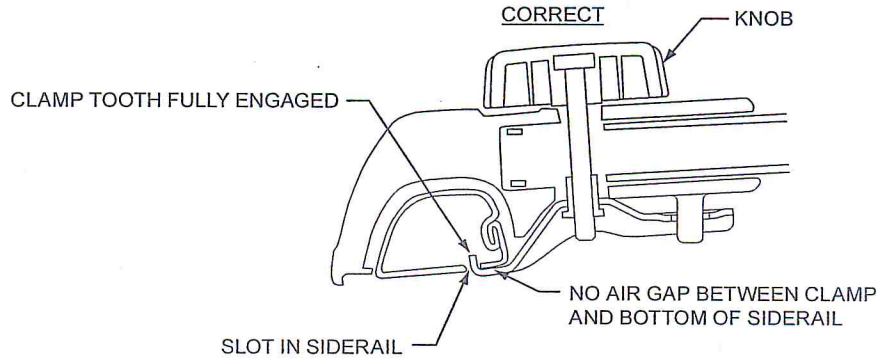


FIGURE 5B

INCORRECT

