

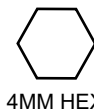
Jeep Wrangler



1.7 N·m (15 Inch·lb)  
**CAUTION**  
DO NOT OVERTORQUE

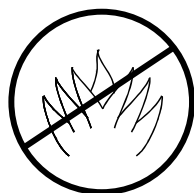


TORQUE WRENCH

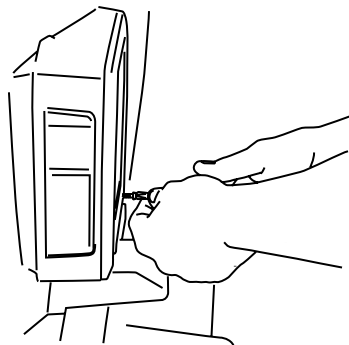


4MM HEX

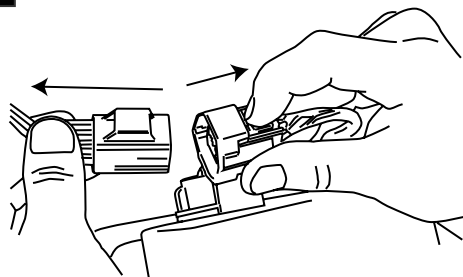
1



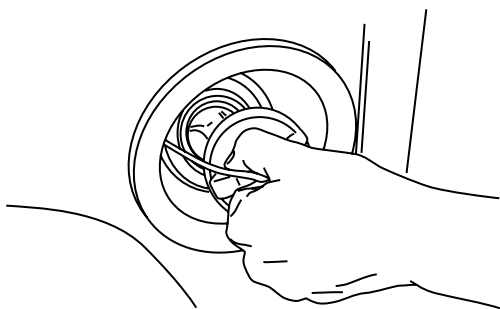
2



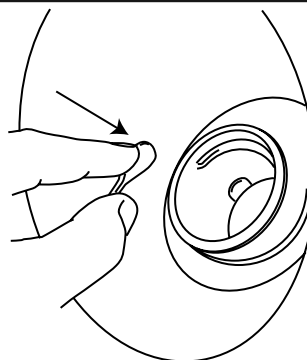
3



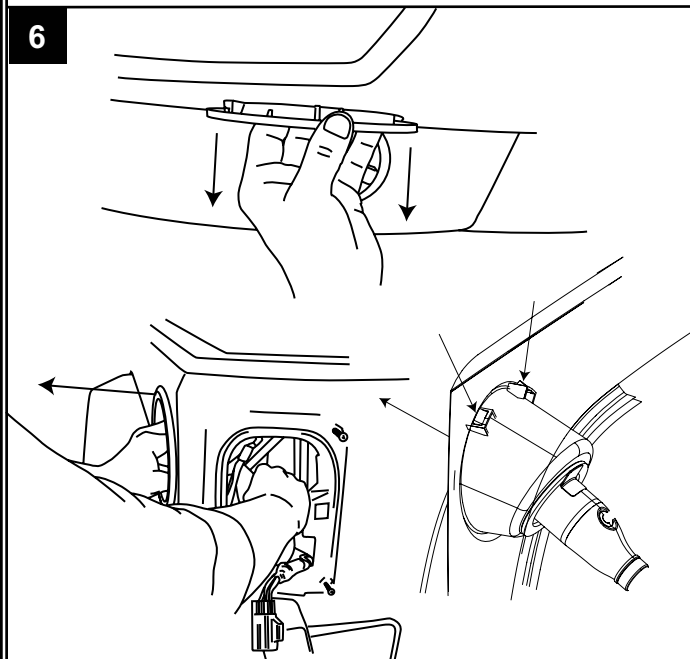
4



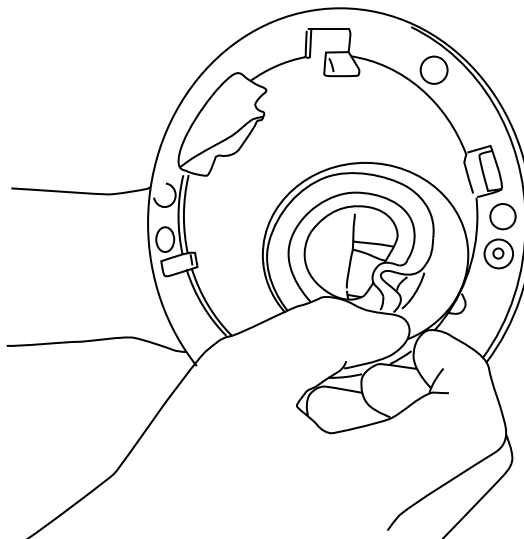
5



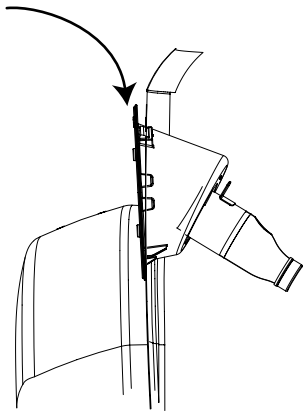
6



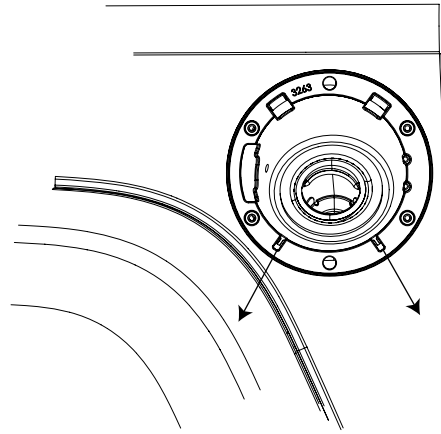
7



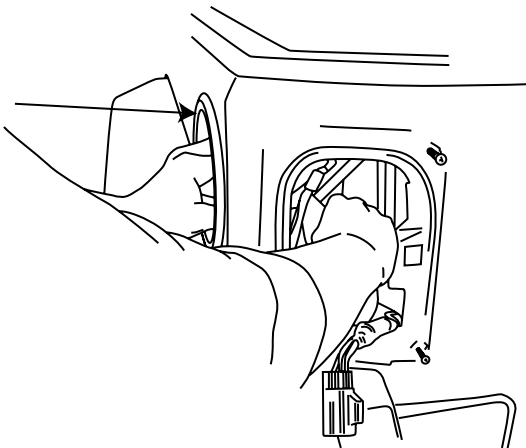
8



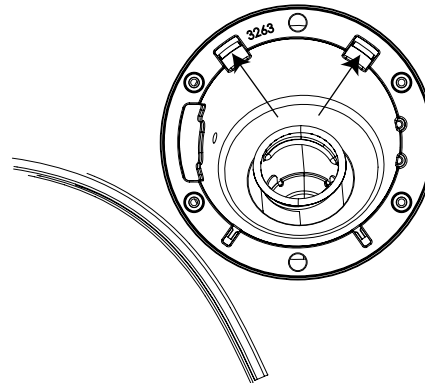
9



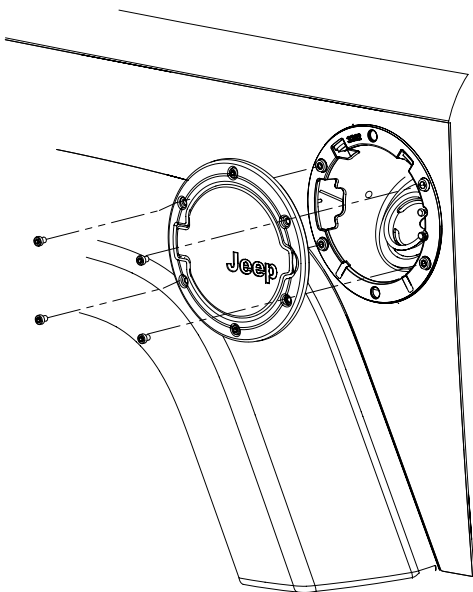
10



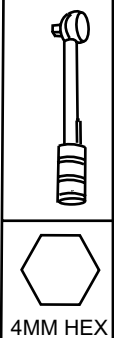
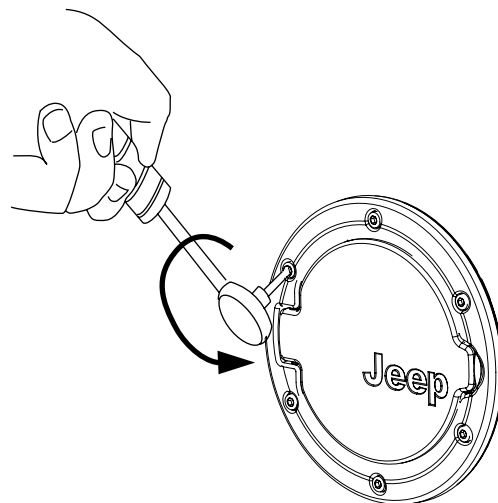
11



12



13



4MM HEX

**1.7 N·m (15 Inch·lb)**

**CAUTION**

**DO NOT OVERTORQUE  
DO NOT USE POWER TOOLS  
TORQUE WRENCH ONLY**