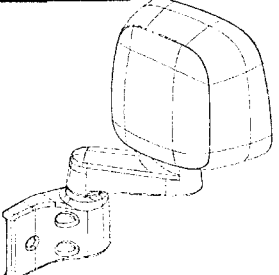
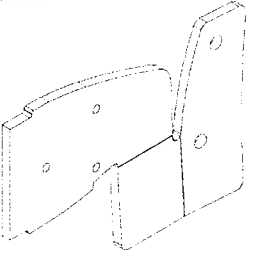
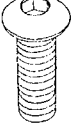

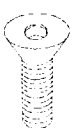
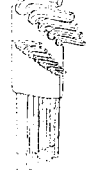
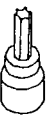
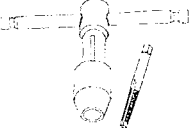




MOPAR.

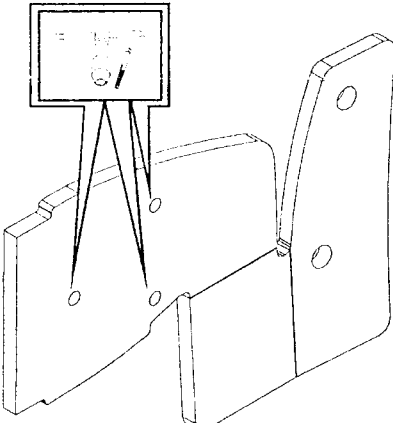
OFF-ROAD MIRROR KIT*

1X A 	1X B 	2X C 	1X E 
		3X D 	

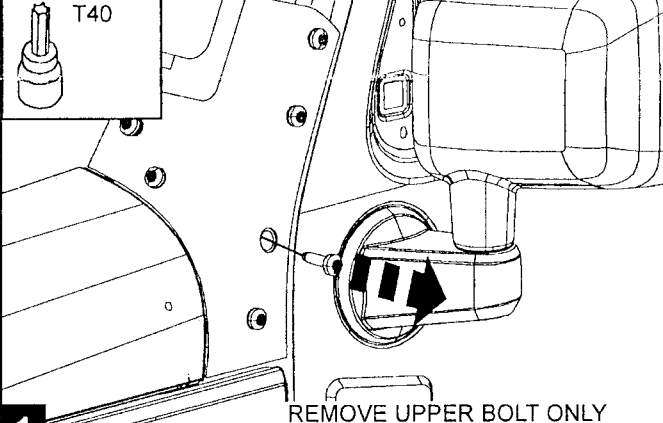
 5mm	 T27, T40	 1/4" - 20
------------------------------------------------------------------------------------------	-----------------------------------------------------------------------------------------------	-------------------------------------------------------------------------------------------------

*This Mirror Kit is Designed to Allow the Driver Door with Mirror to Be Removed and Keep the Vehicle Legally in Compliance for Highway Driving.

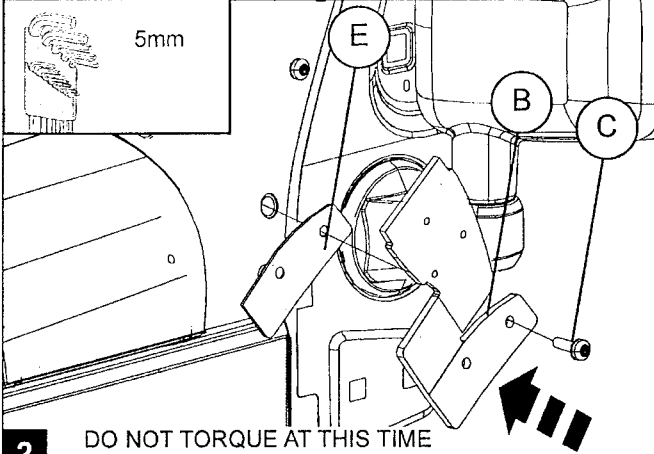
TO EASE INSTALLATION, TAP THREE (3) HOLES TO 1/4"-20UNC



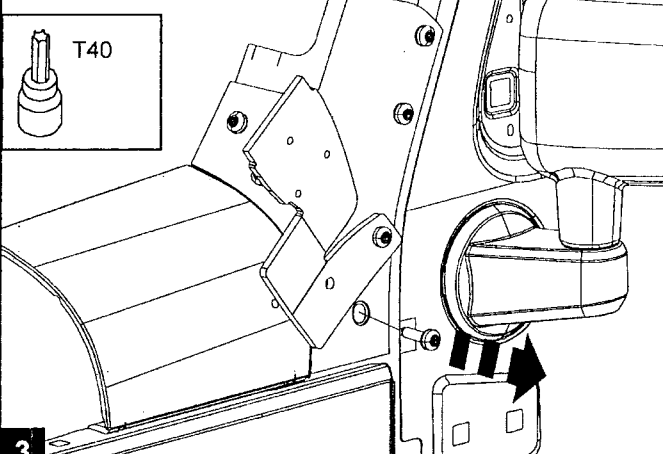
1



1 REMOVE UPPER BOLT ONLY



2 DO NOT TORQUE AT THIS TIME



3

