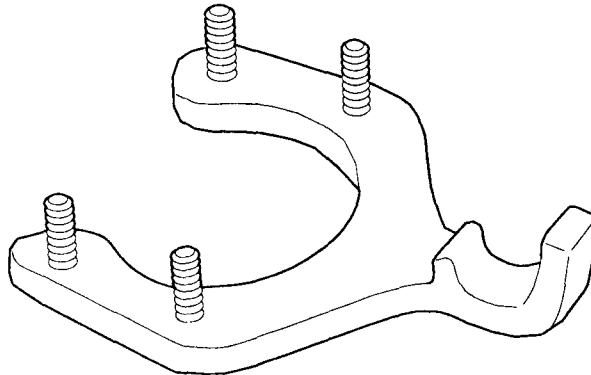


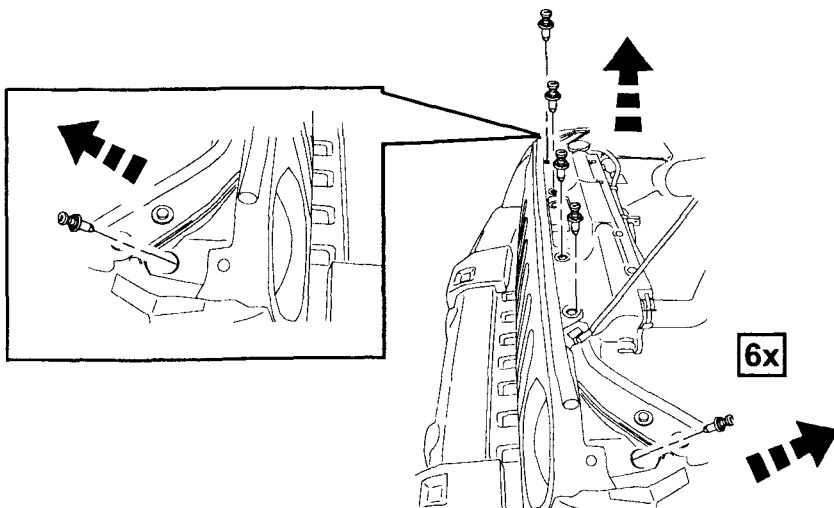
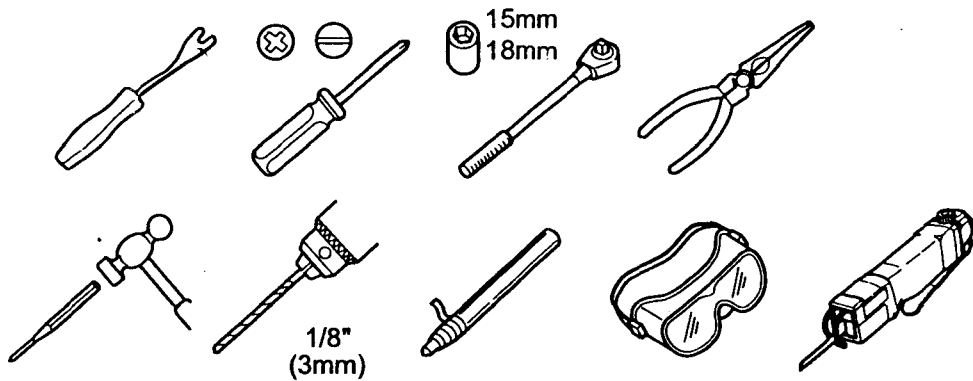


# JEEP WRANGLER

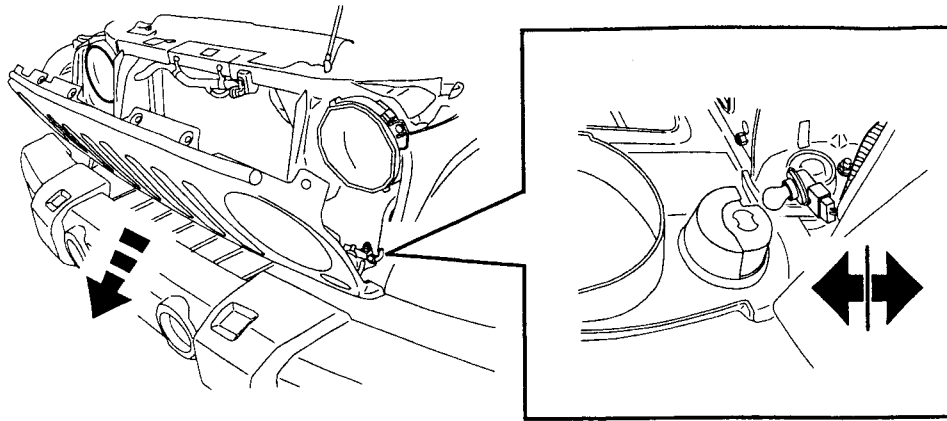
## Front Tow Hook



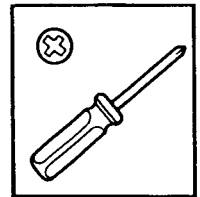
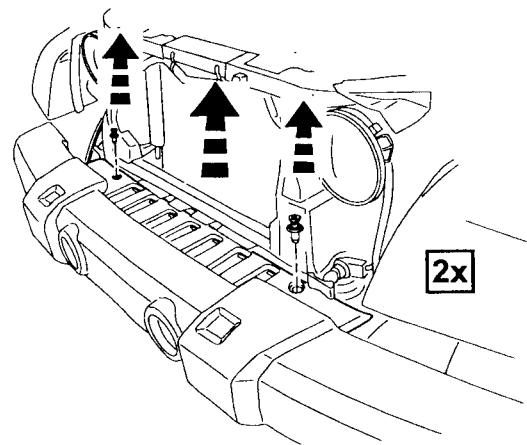
**A** 2x



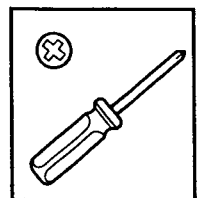
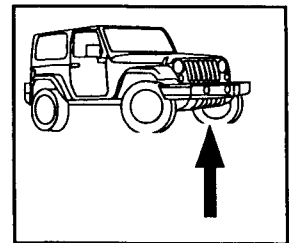
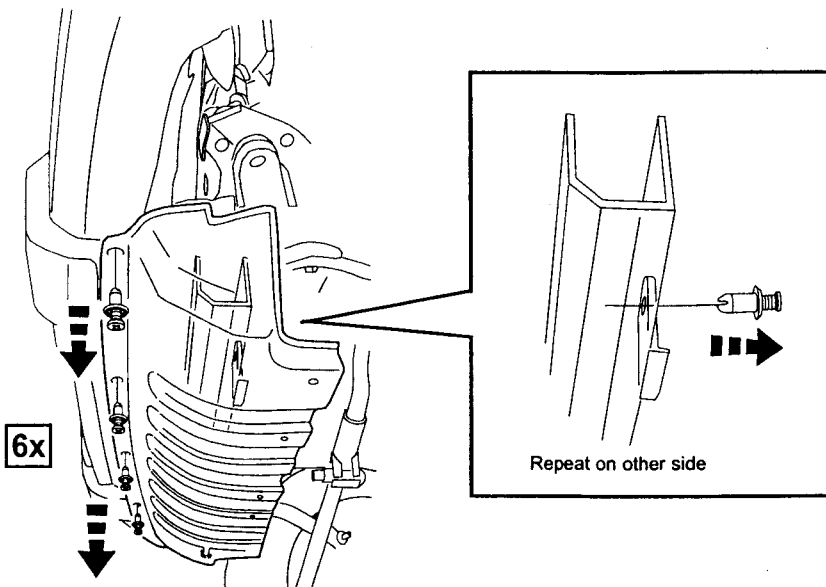
**1**



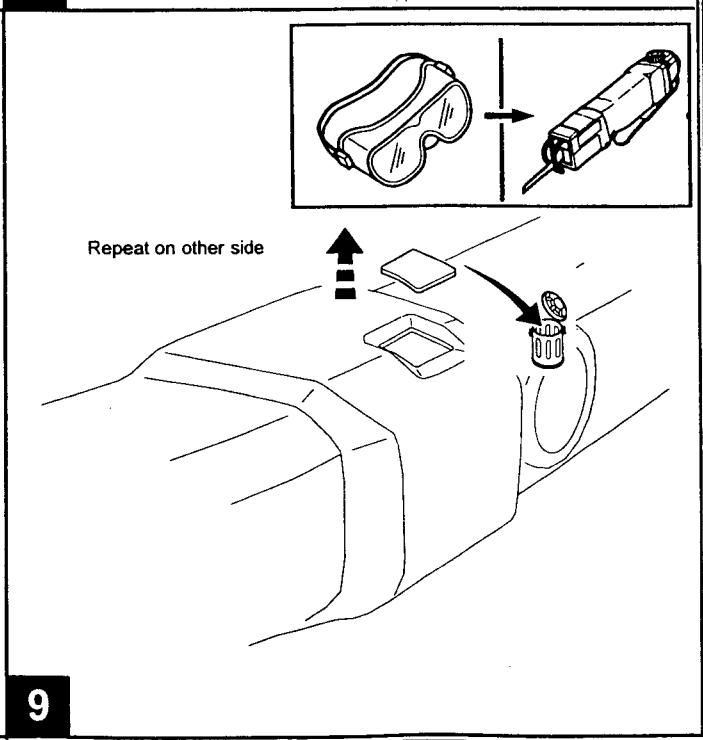
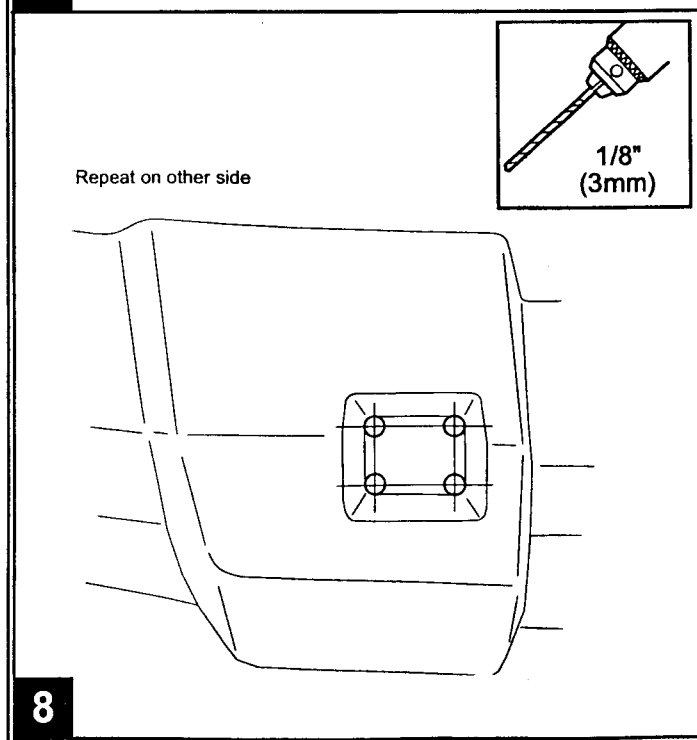
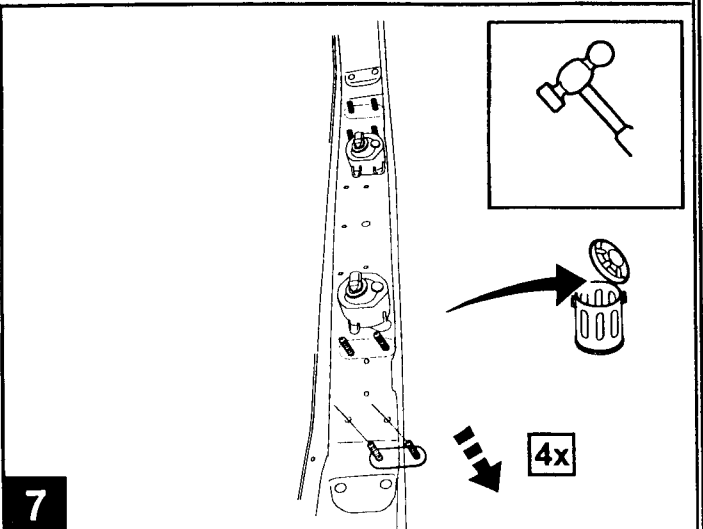
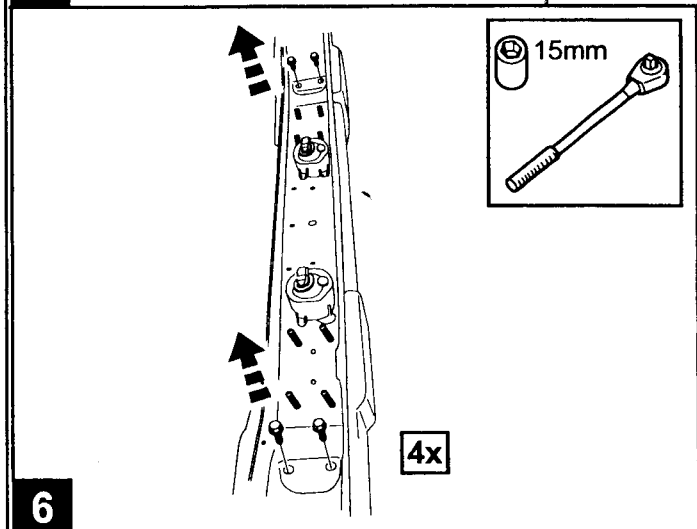
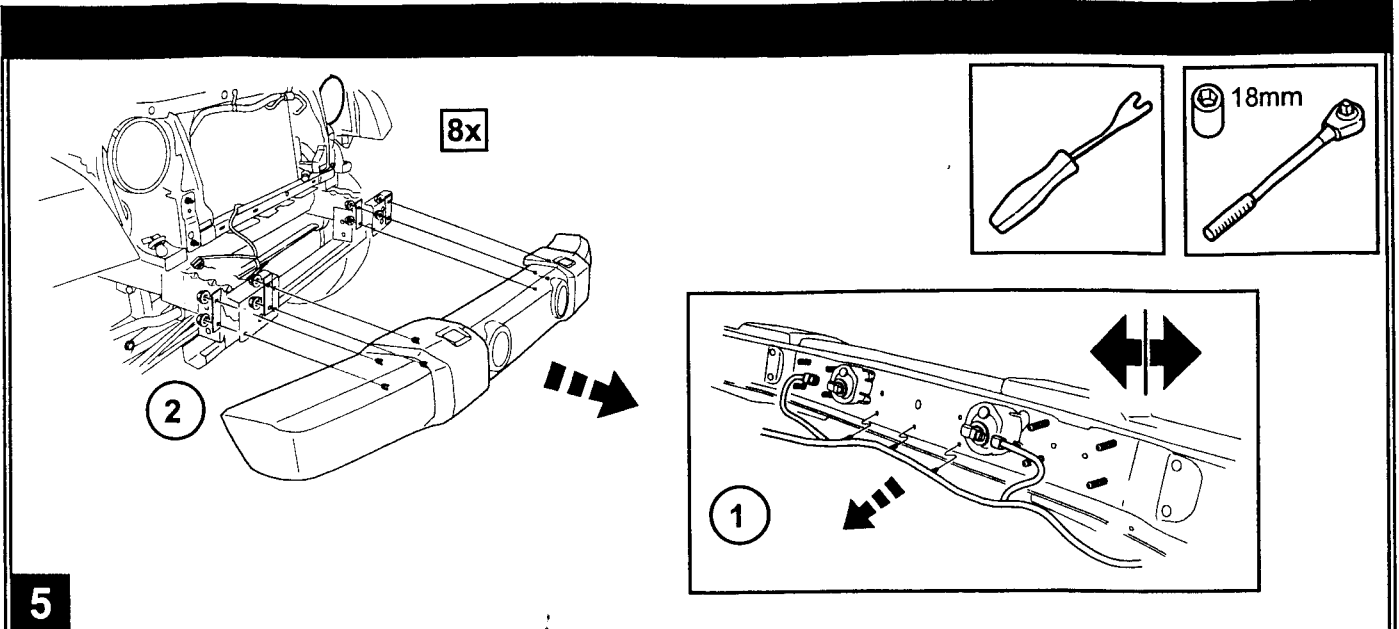
2



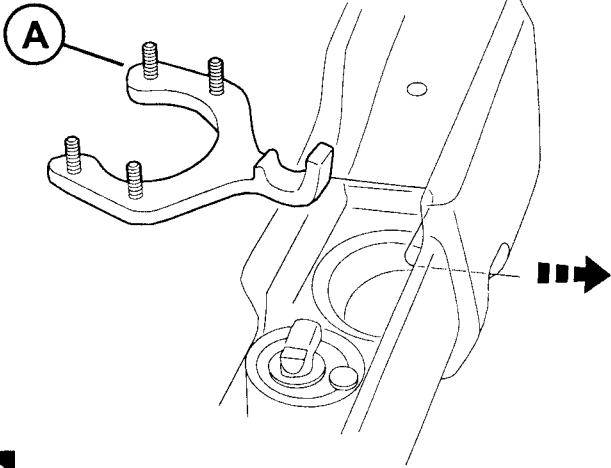
3



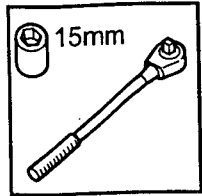
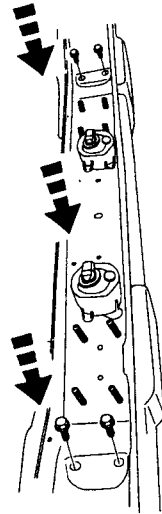
4



Repeat on other side

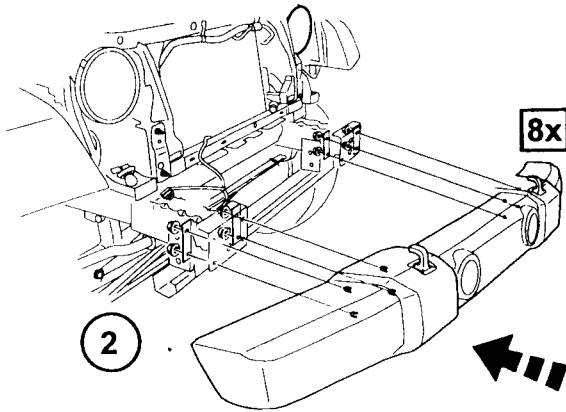


10



4x

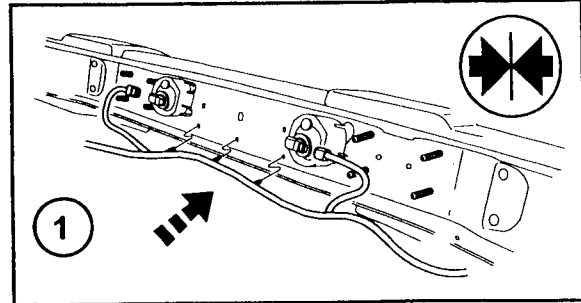
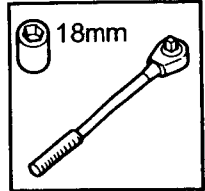
11



8x

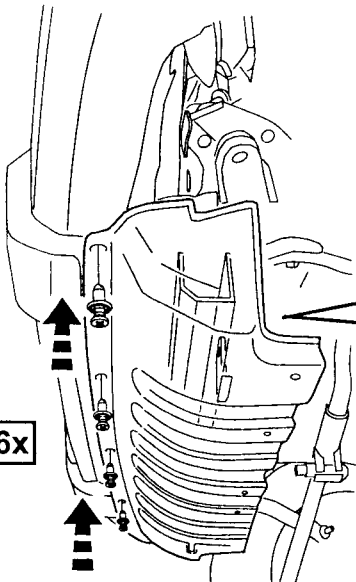


80 +/- 15 ft. lbs

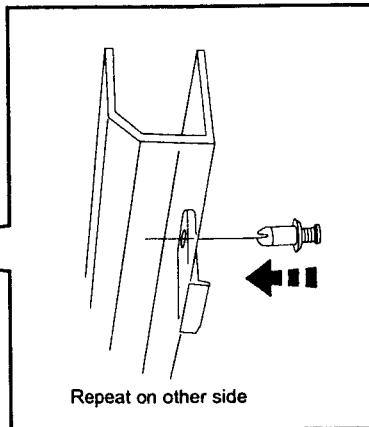


1

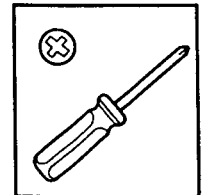
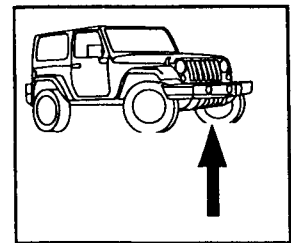
12



6x

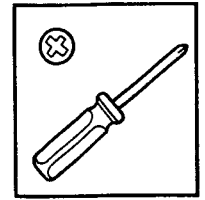
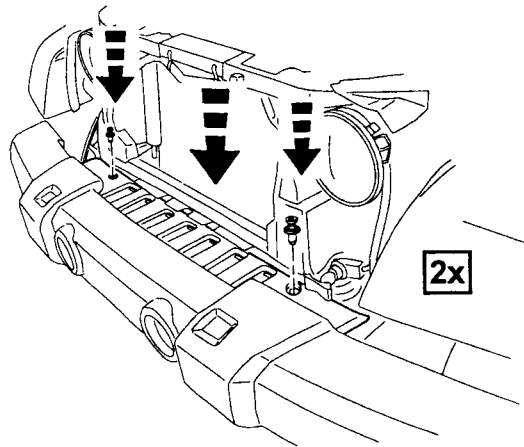


Repeat on other side

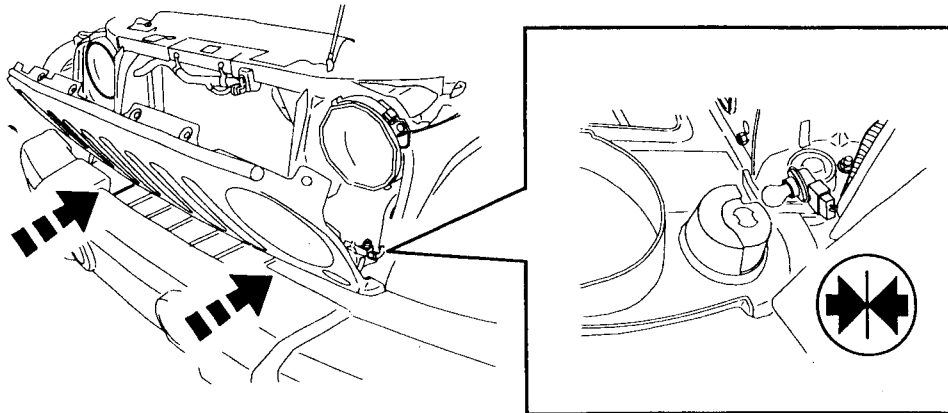


13

14



15



16

