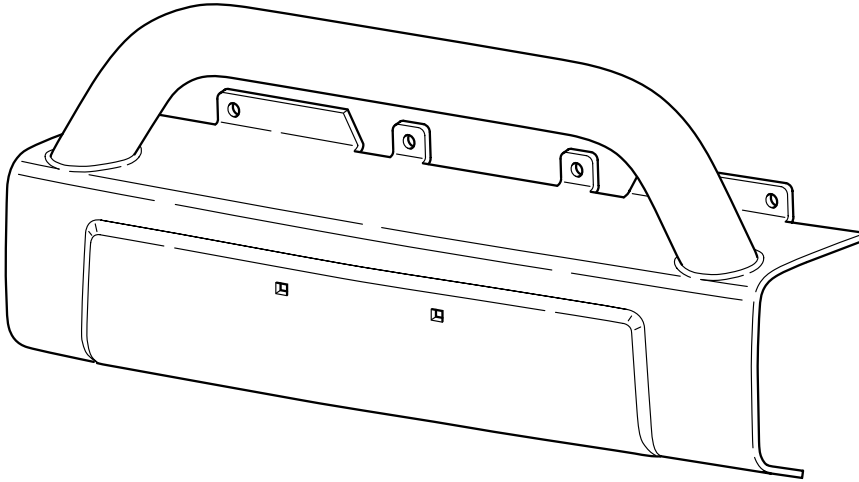


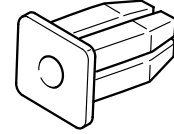


JEEP COMMANDER

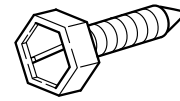
Grille Guard



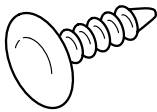
A Grille guard is designed to accomodate two auxillary lamps.



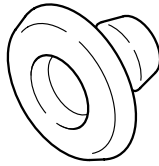
B 2x FOR VEHICLES WITH FRT LICENSE PLATE



C 2x FOR VEHICLES WITH FRT LICENSE PLATE



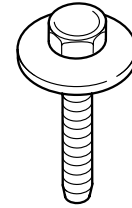
D 2x FOR VEHICLES W/O FRT LICENSE PLATE



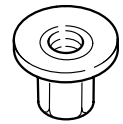
E 2x



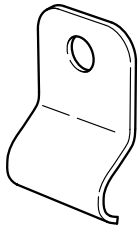
F



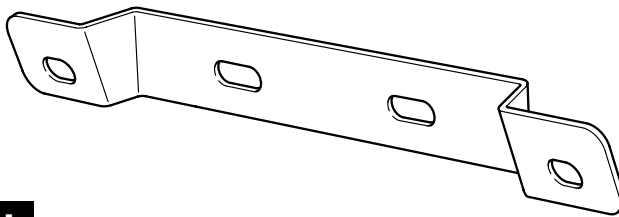
G 6x



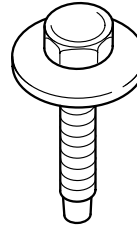
H 6x



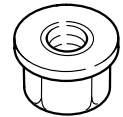
I 2x



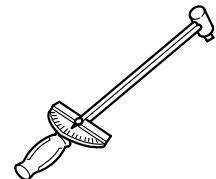
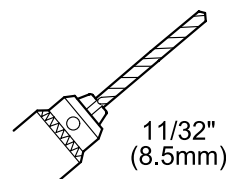
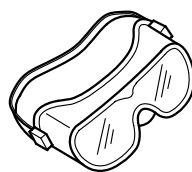
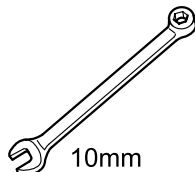
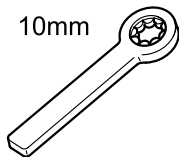
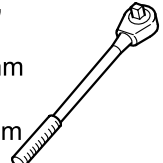
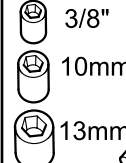
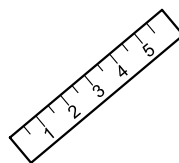
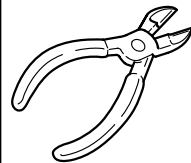
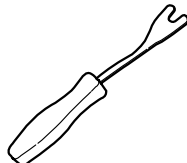
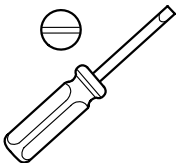
J

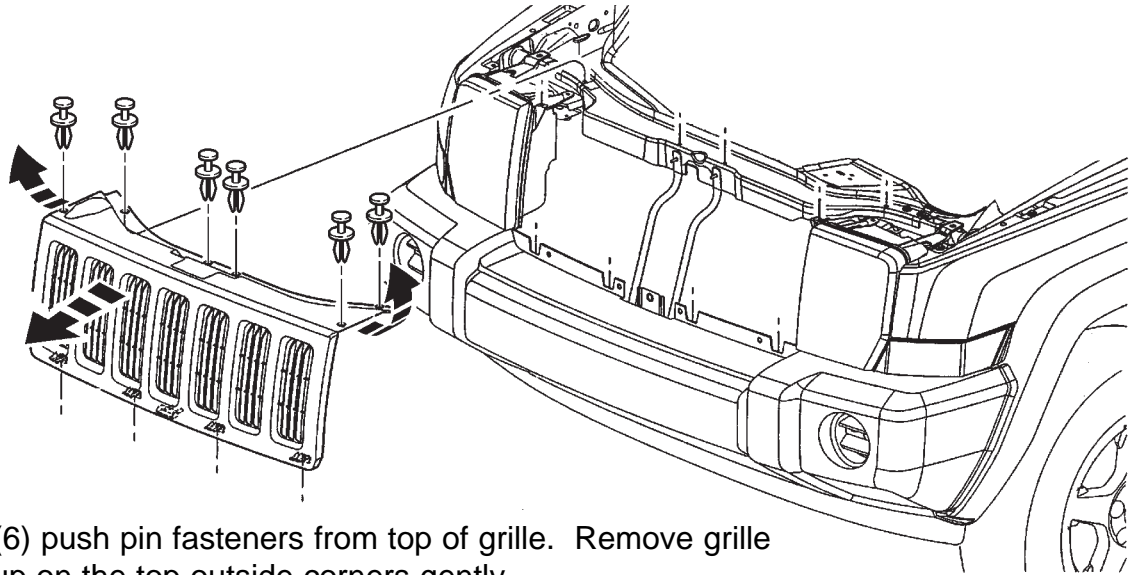


K 5x

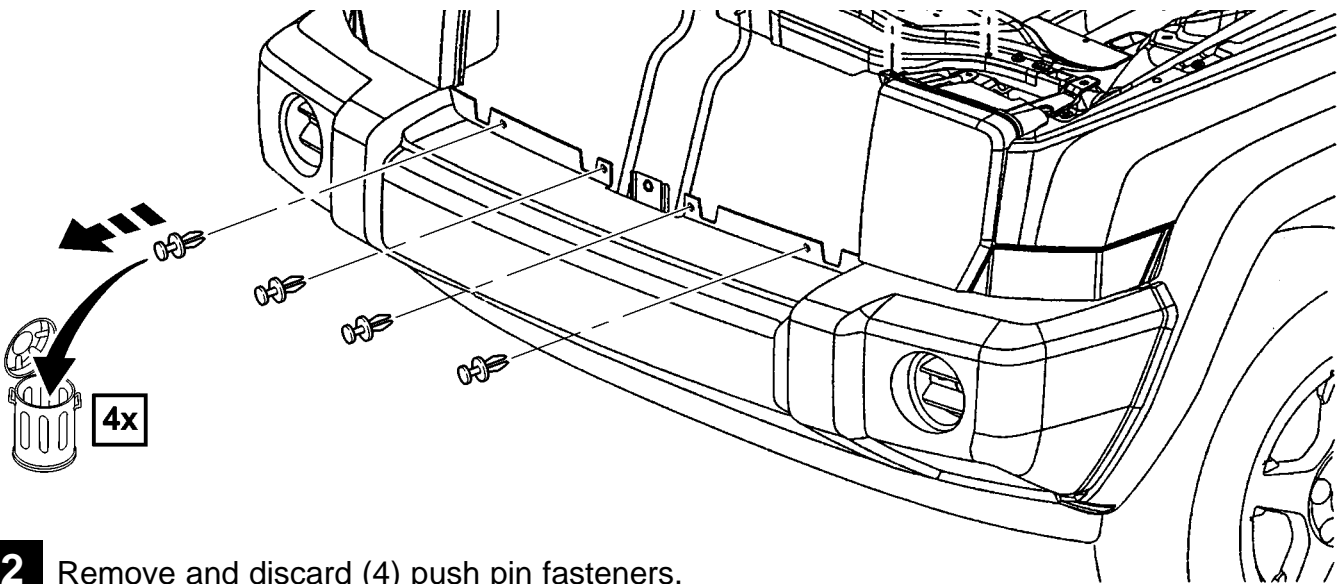


L 5x



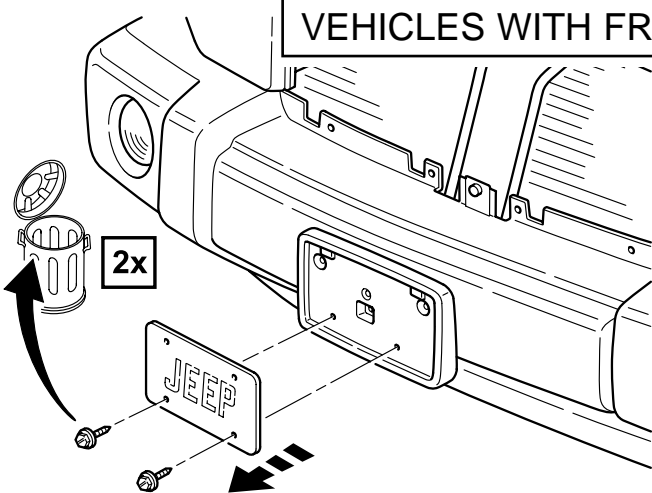


1 Remove (6) push pin fasteners from top of grille. Remove grille by lifting up on the top outside corners gently.

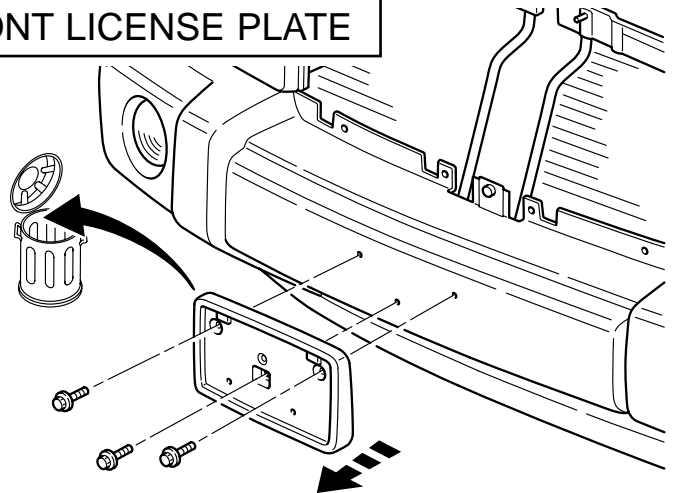


2 Remove and discard (4) push pin fasteners.

VEHICLES WITH FRONT LICENSE PLATE

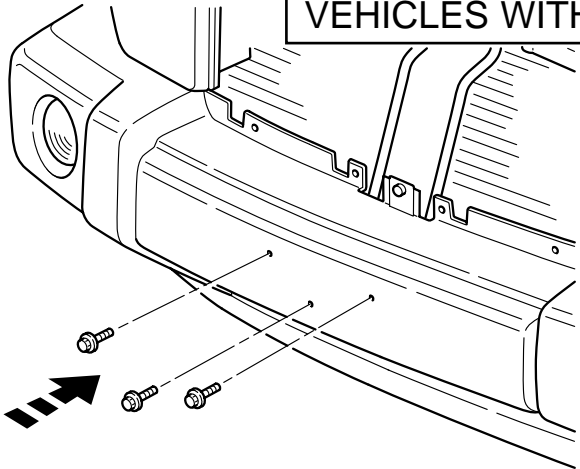


3 Remove and discard (2) license plate mounting screws.

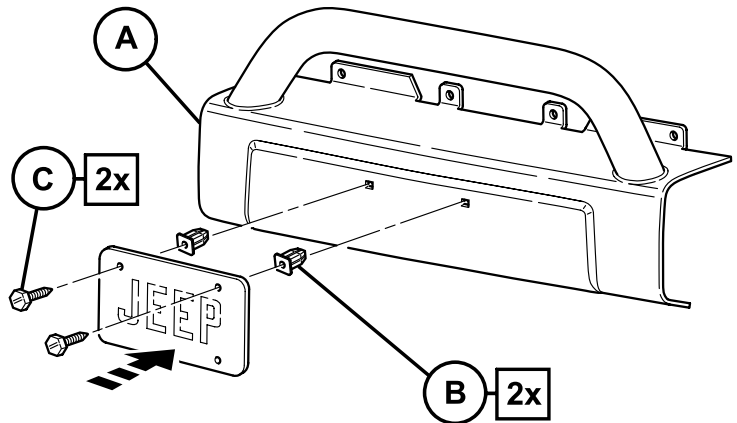


4 Remove (3) license plate bracket mounting screws. Discard bracket.

VEHICLES WITH FRONT LICENSE PLATE

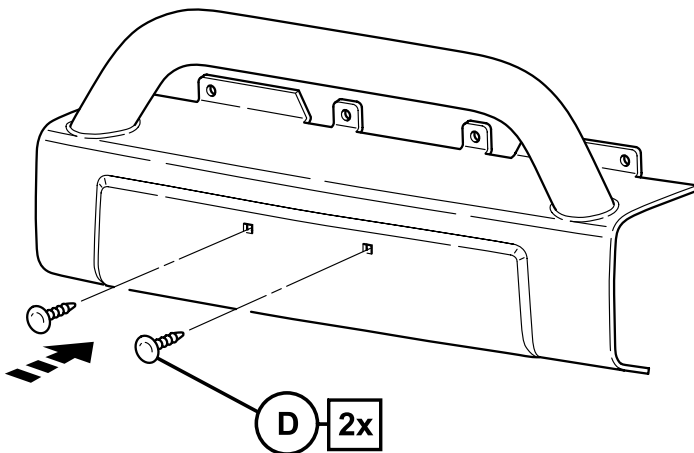


5 Install (3) bracket mounting screws to fascia.

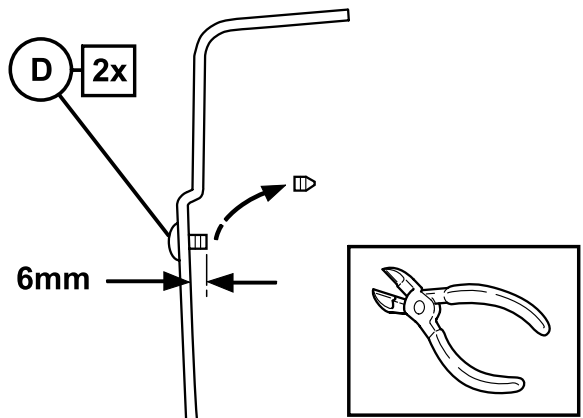


Install license plate to grille guard.

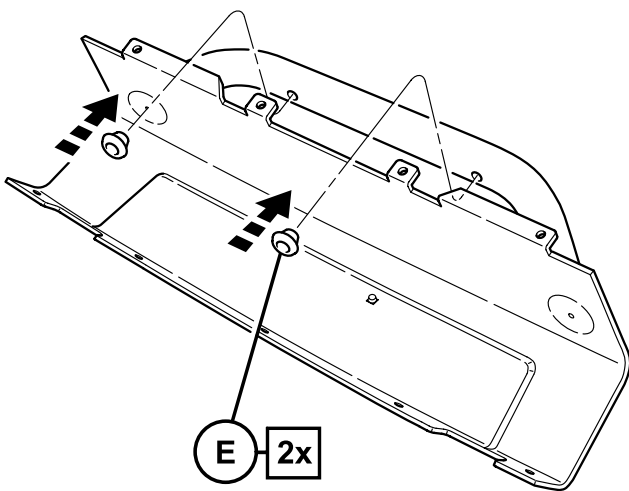
VEHICLES WITHOUT FRONT LICENSE PLATE



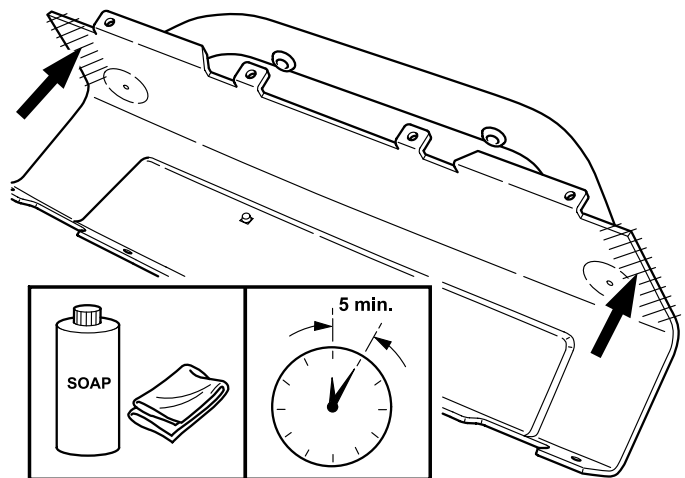
5A Install (2) plugs to grille guard.



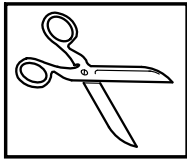
Trim the plugs so that they protrude no more than 6mm.



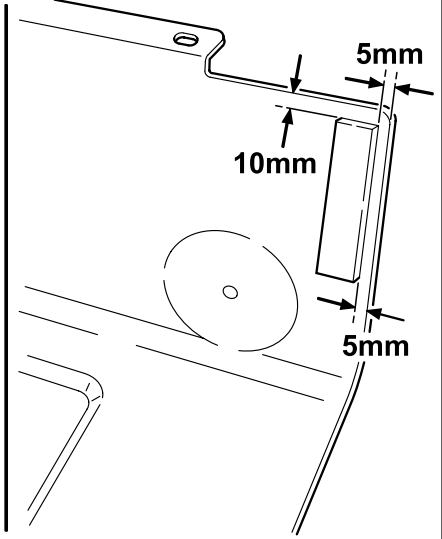
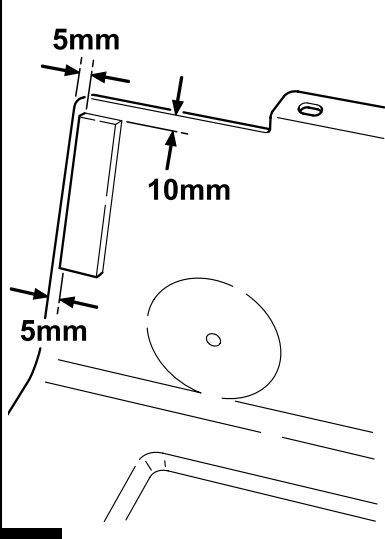
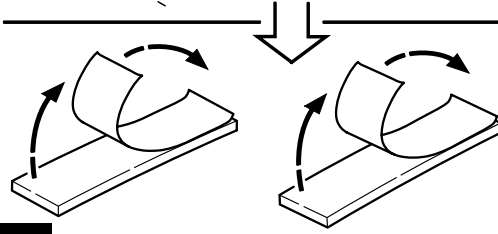
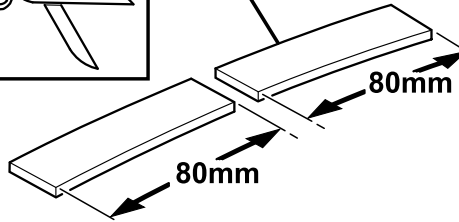
6 Install (2) plugs to guard bar.



7 Clean inside of guard. Wait 5 minutes.

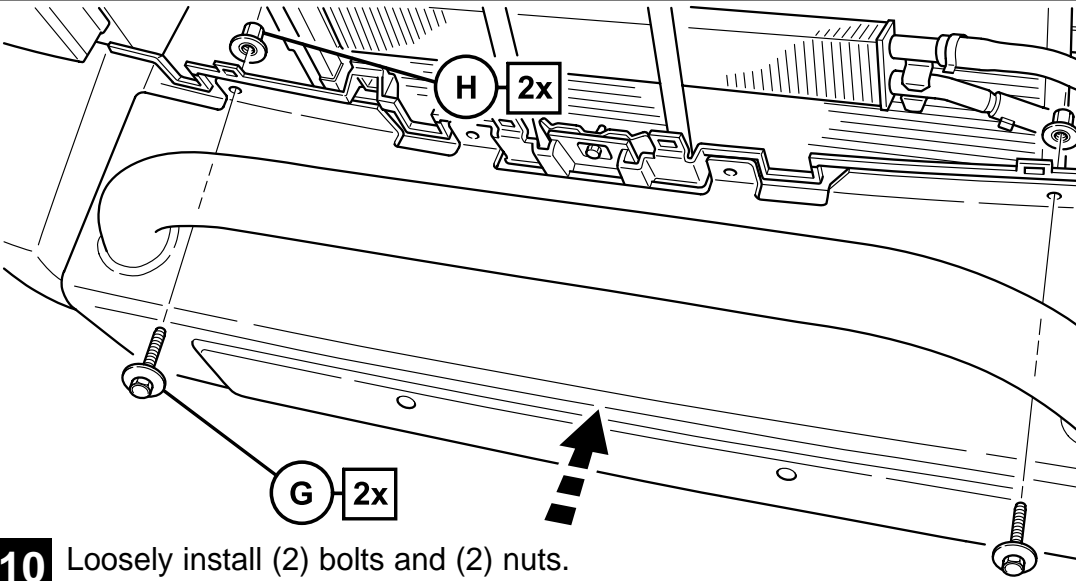


F



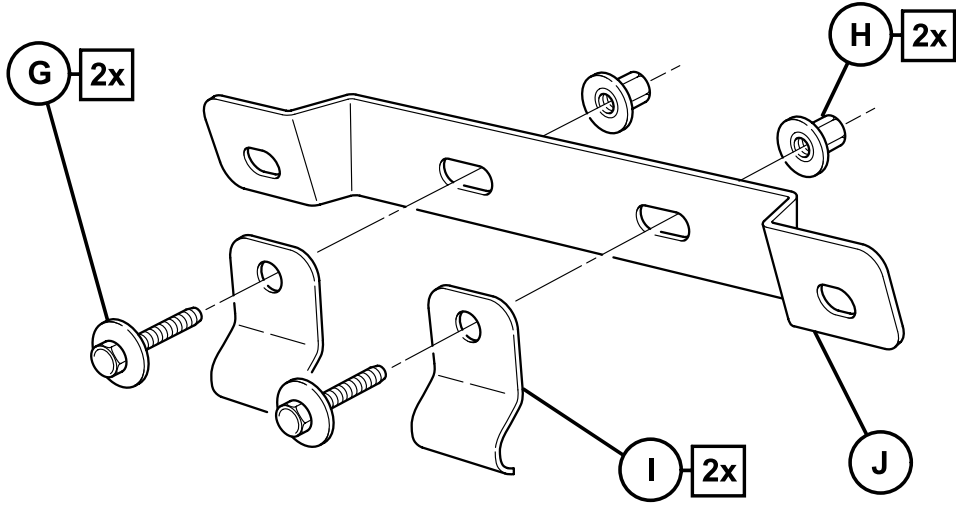
8 Trim tape pad. Remove backing.

9 Place tape pads on inside of guard.

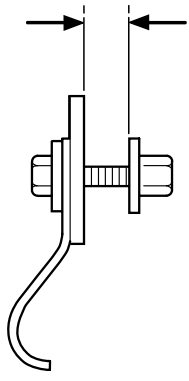


Hand Tighten Only

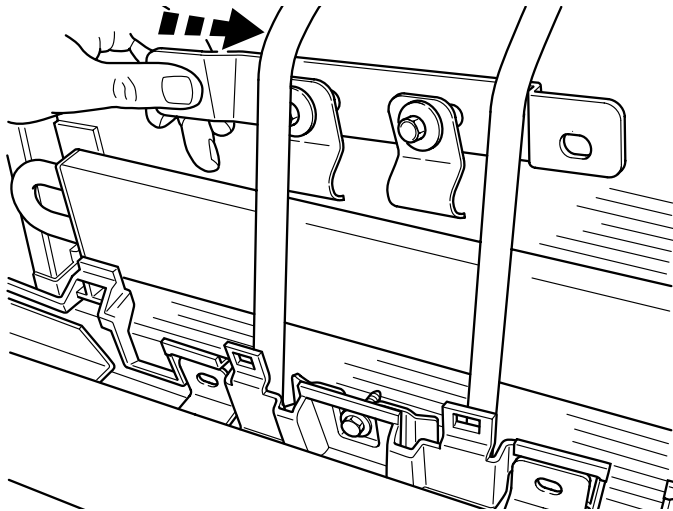
10 Loosely install (2) bolts and (2) nuts.



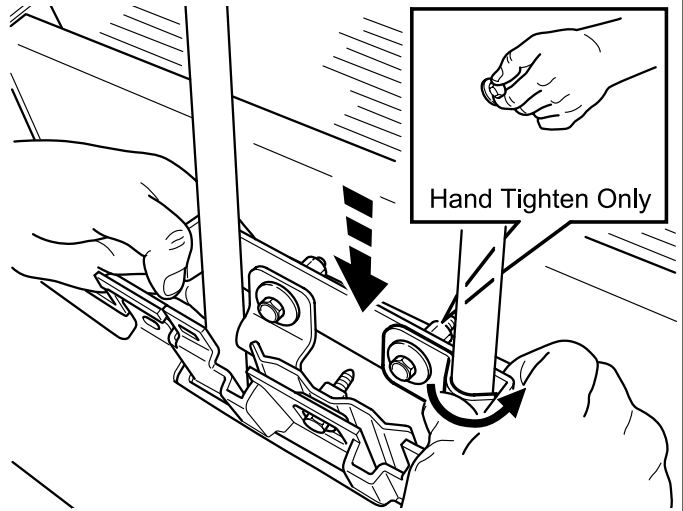
MAINTAIN THIS DISTANCE



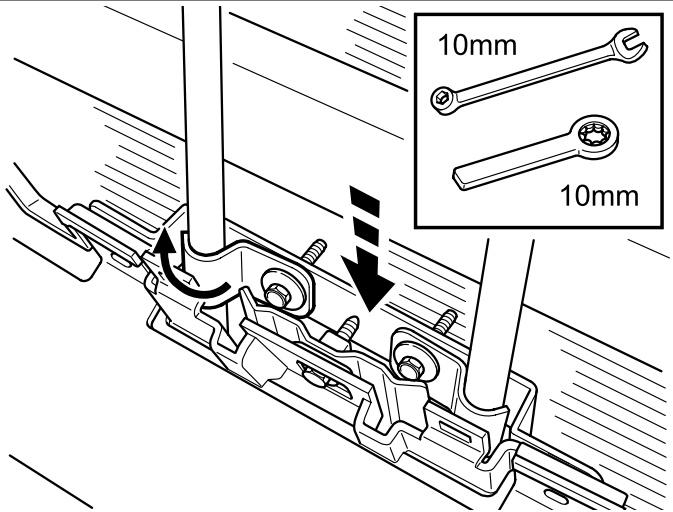
11 Loosely sub-assemble the center mounting bracket (Item J).



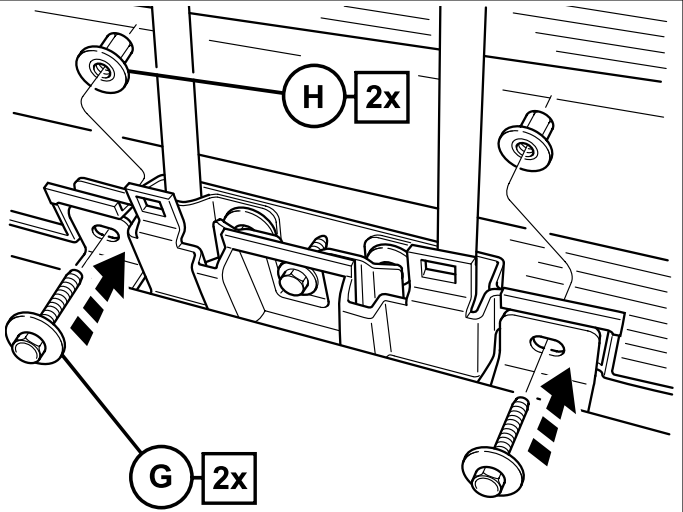
12 Slide the center mounting bracket assembly behind radiator support bars.



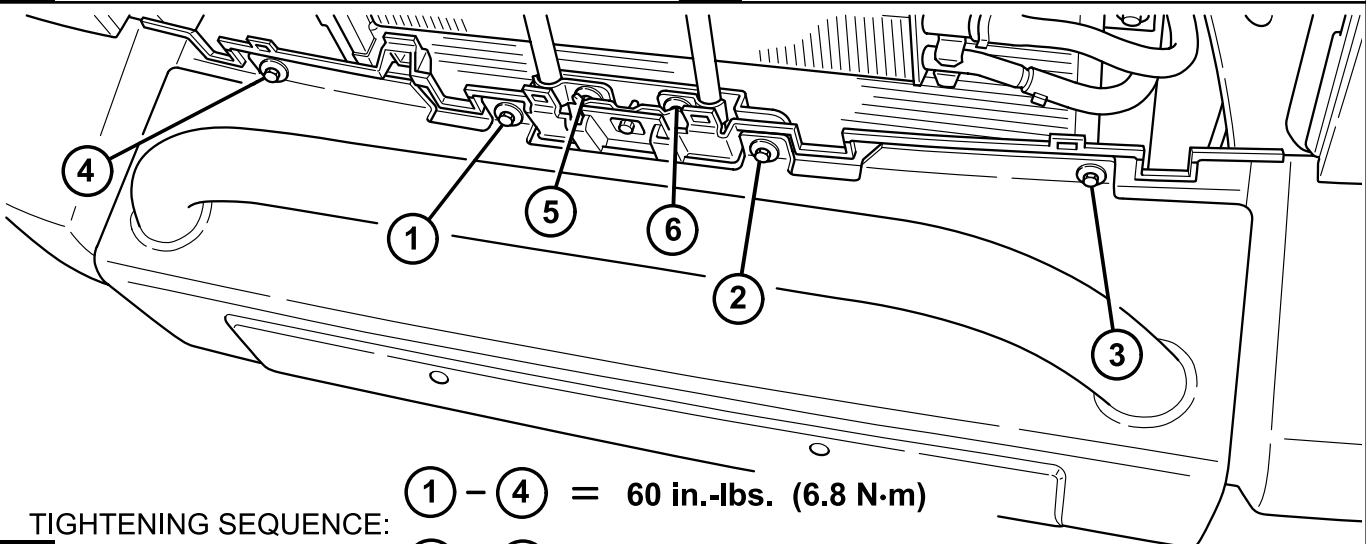
13 Slide the assembly down and loosely position clip to left support bar.



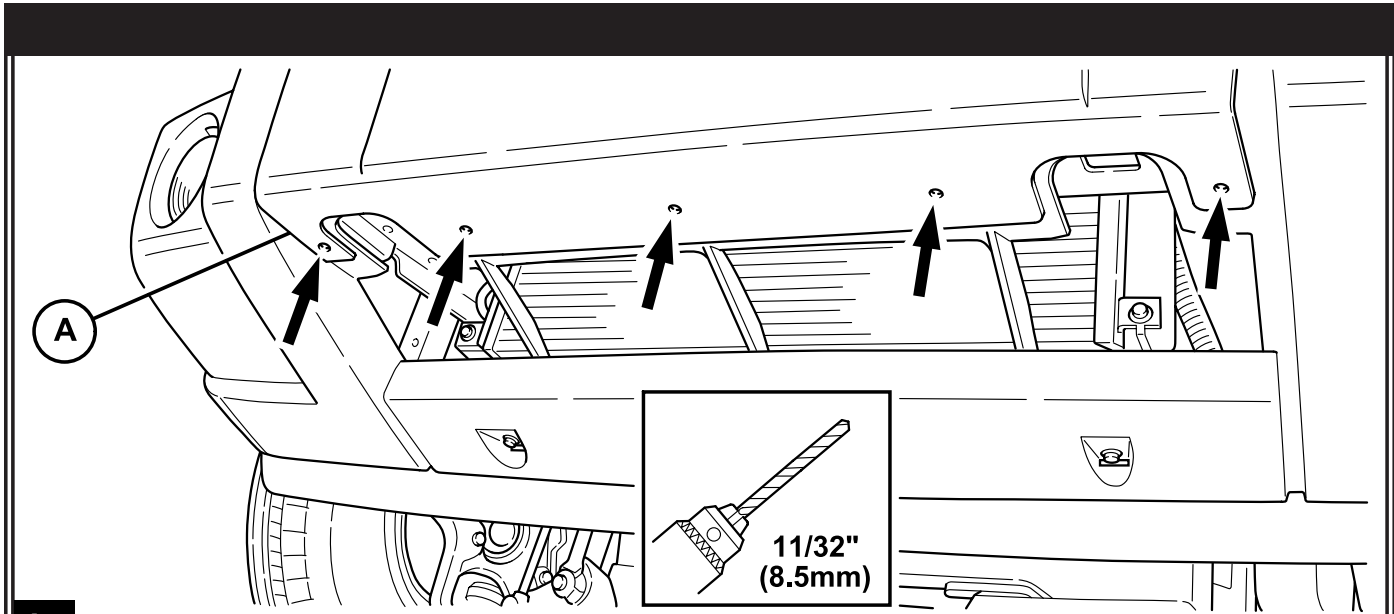
14 Slide the assembly into mounting position. Position clip to right support bar.



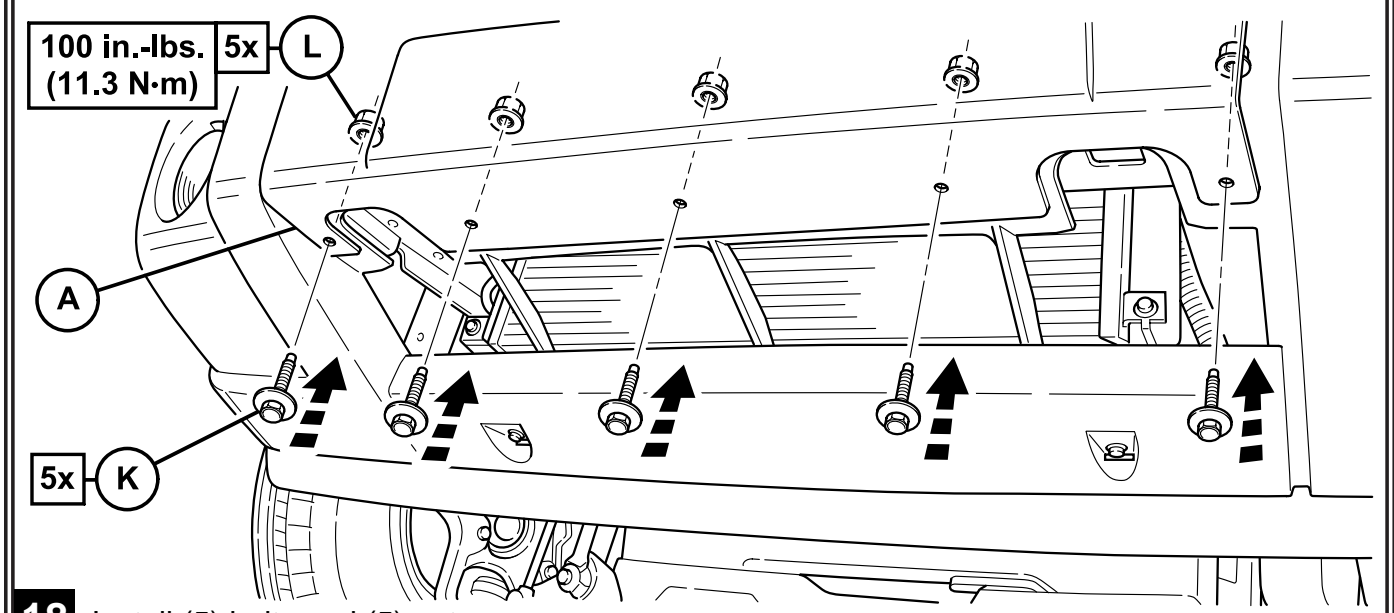
15 Install (2) bolts and (2) nuts to center mounting bracket.



16 TIGHTENING SEQUENCE:
 ① - ④ = 60 in.-lbs. (6.8 N·m)
 ⑤ - ⑥ = 100 in.-lbs. (11.3 N·m)



17 Using the grille guard as a template, drill (5) mounting holes in fascia.



18 Install (5) bolts and (5) nuts.