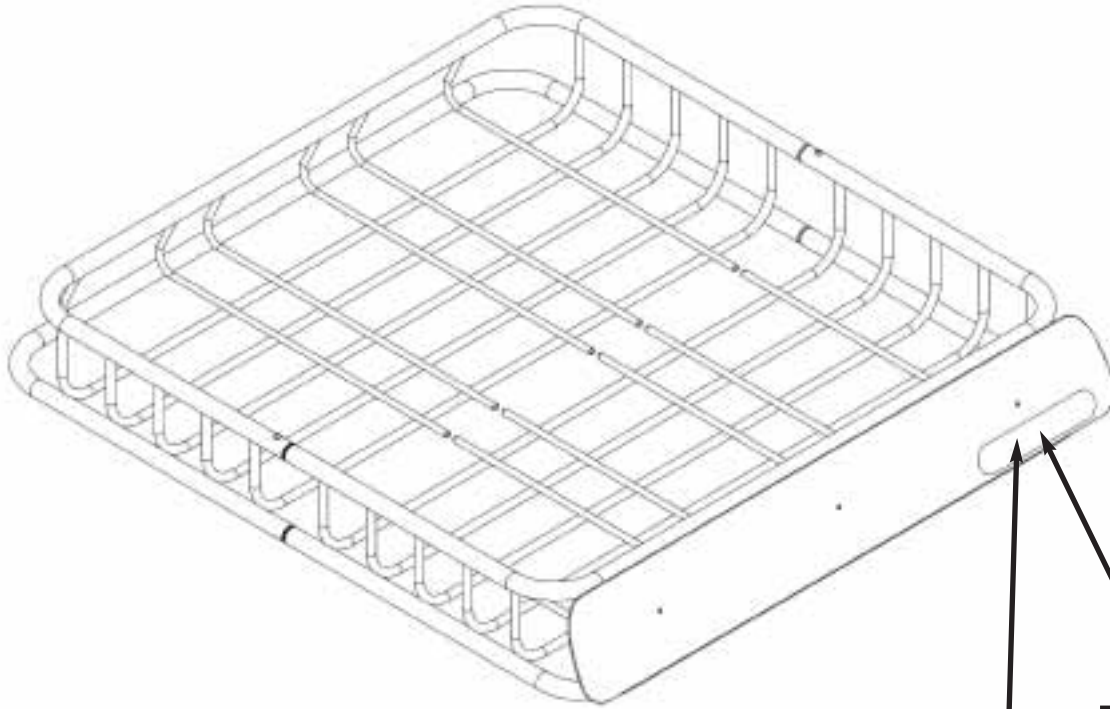
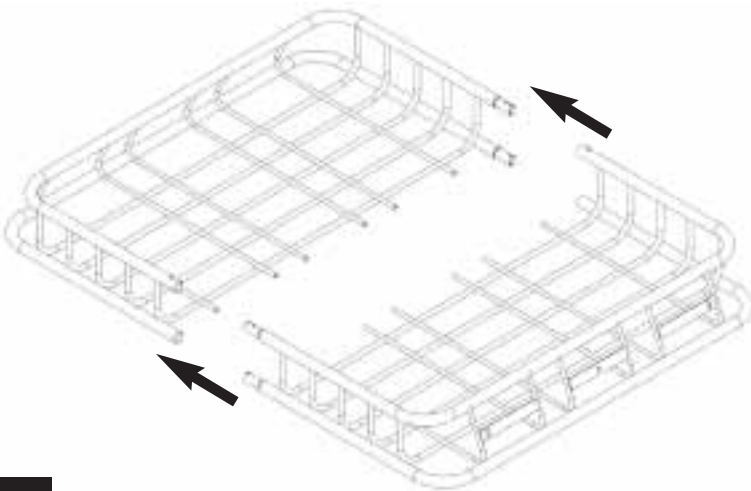




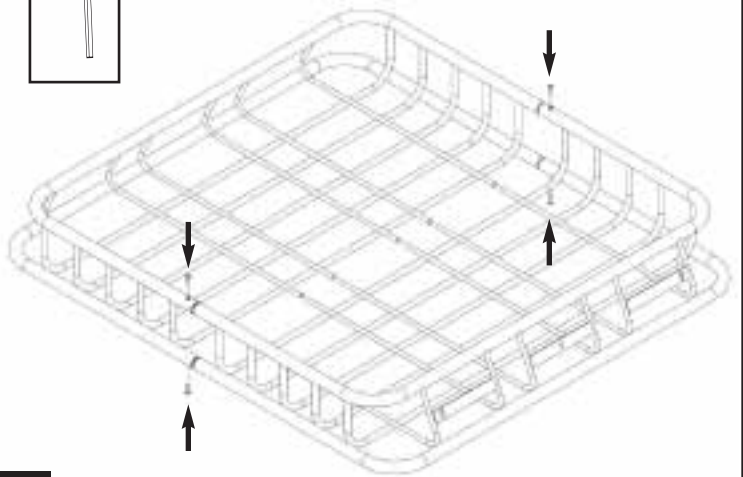
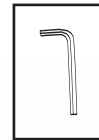
BASKET, Siderail Mounting Kit BASKET, Crossbar Mounting Kit



50kg/ 110lbs MAX.



1

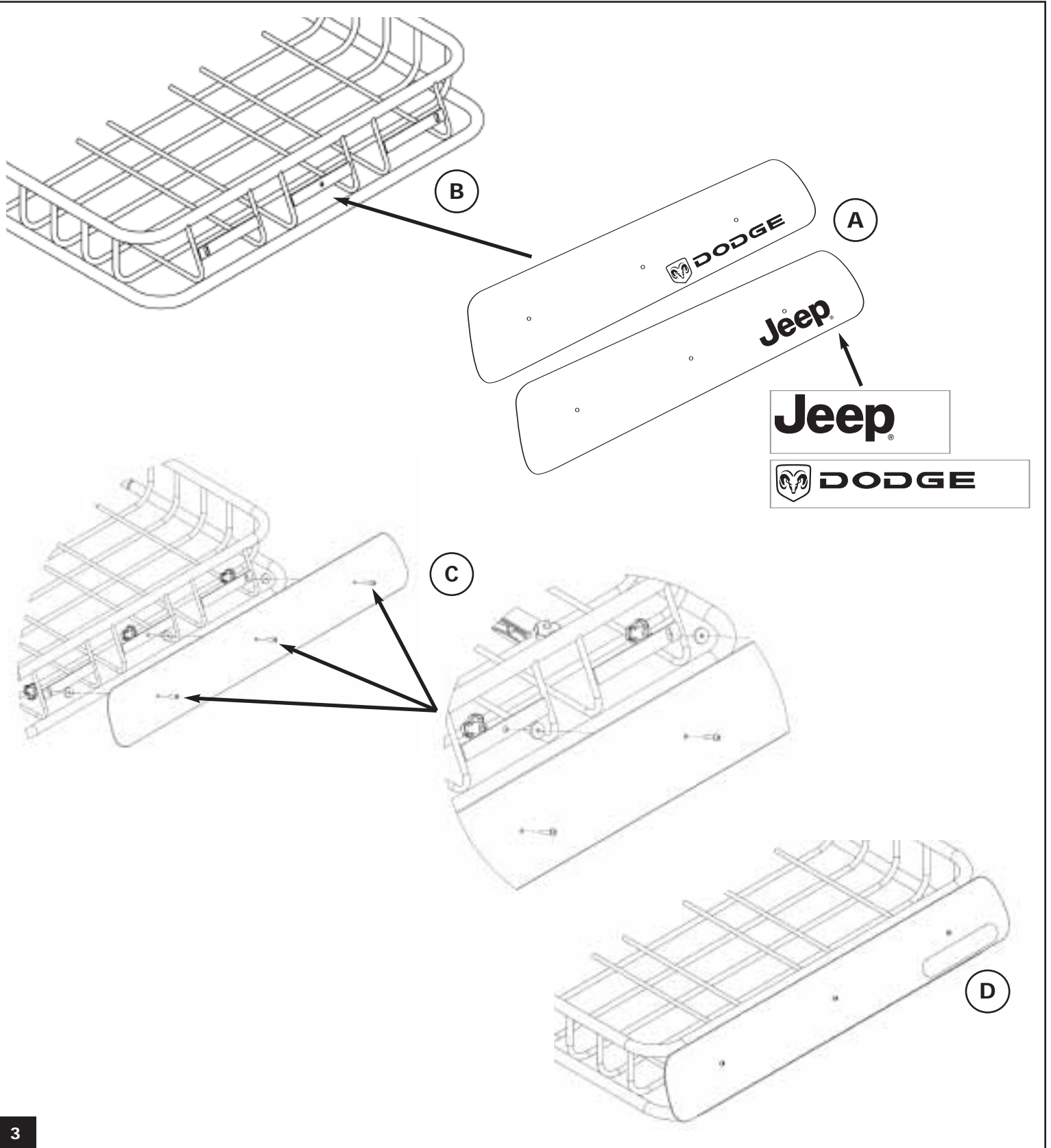


2



BASKET, Siderail Mounting Kit

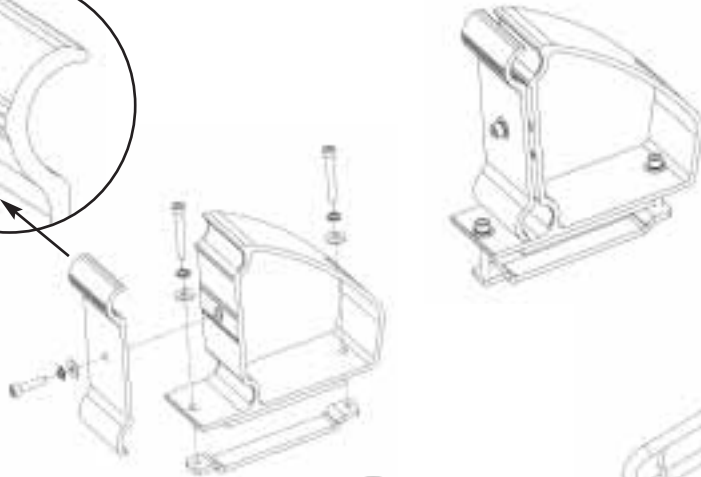
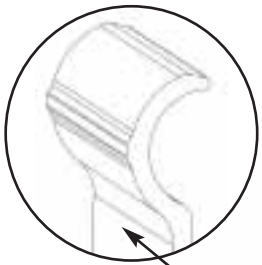
BASKET, Crossbar Mounting Kit



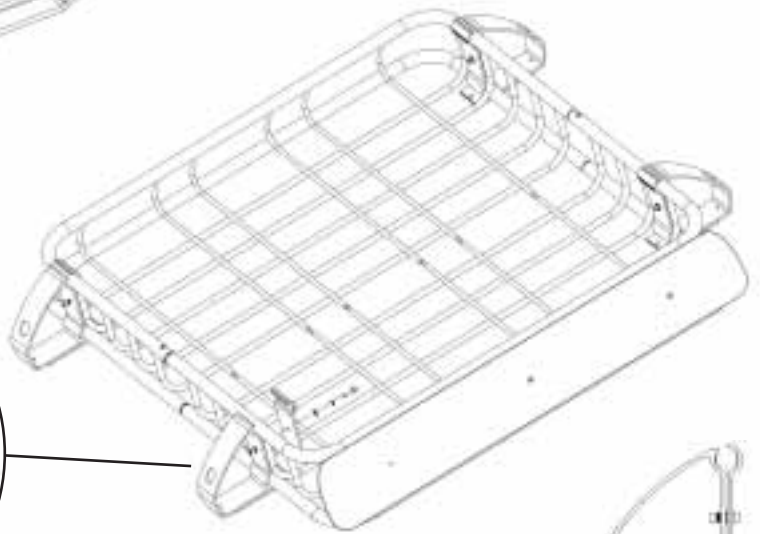
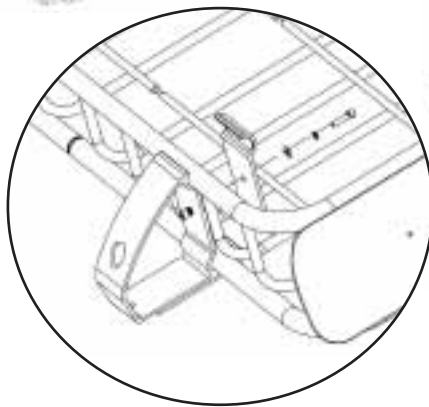
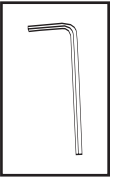


BASKET, Siderail Mounting Kit

BASKET, Crossbar Mounting Kit



20 ft-lb torque requirement on mounting screws.



70mm



=

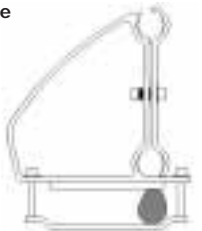


Part # 82209480 is required for use with the Liberty-Renegade.

50mm



=

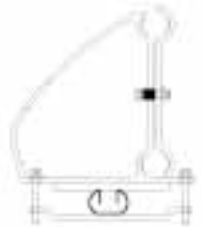


Liberty

45mm



=



Durango

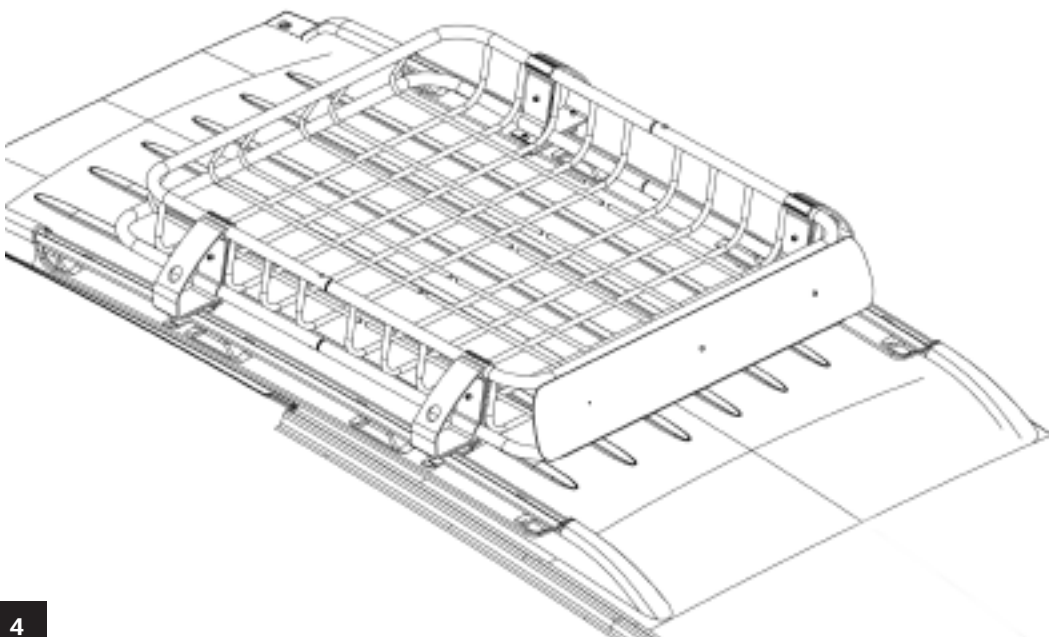
45mm



=



Grand Cherokee

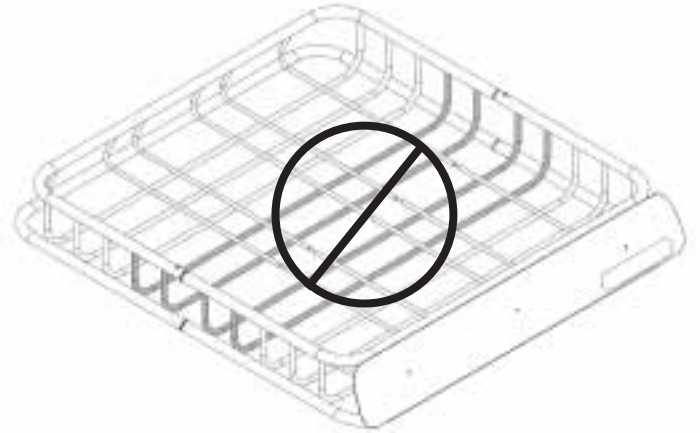
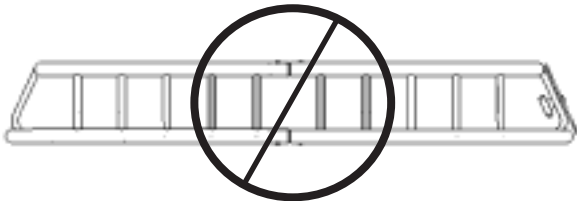




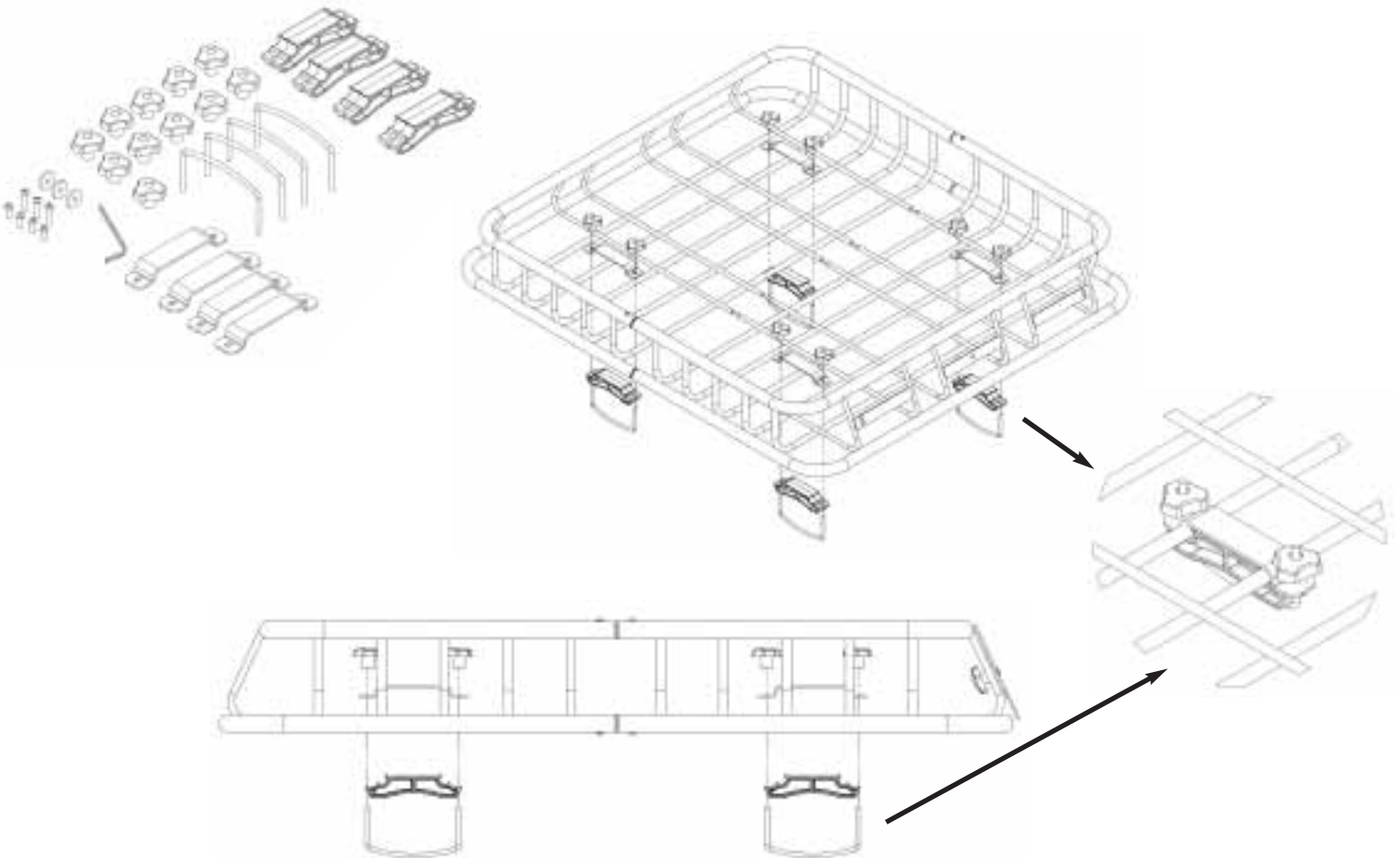
BASKET, Siderail Mounting Kit BASKET, Crossbar Mounting Kit



DO NOT ATTACH BRACKETS TO UNSTABLE POINTS.



5



6



APPLICATION INSTRUCTIONS FOR SMALL DECALS UNDER 18"

QUESTIONS?

Tel: 1-800-930-9508

Fax: 1-888-565-7771

email: moparhq@mgrp.com

If you require additional assistance, please contact us at the number above.

Note:

- Wash hands prior to installation or use alcohol wipe.
- Leave vehicle in warm facility for 5 hours after application.
- DO NOT wash car for 5 days after installation.
- DO NOT apply in direct sunlight.
- Apply in a dust-free environment.
- Use a generous amount of soap/water solution.
- Bubbles must be pricked with a pin and smoothed out
 - use finger pressure to smooth.

Soap/Water Solution:

In a spray atomizer, mix the following:

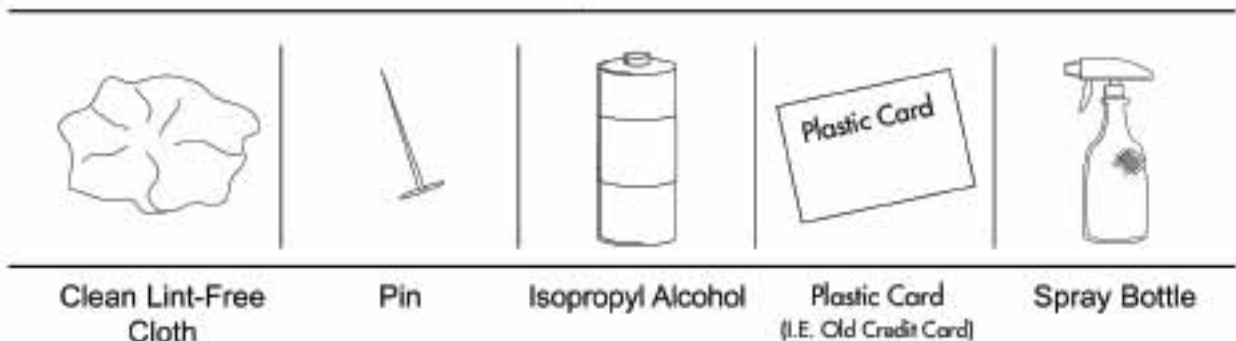
- 2 drops liquid soap*
- 1 litre (1 qt) of water

**Use "lanolin-free" soap.*

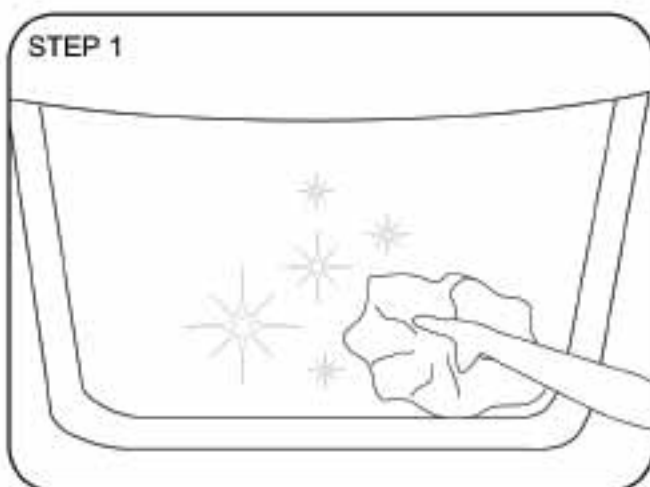
Too much soap will result in a difficult installation.



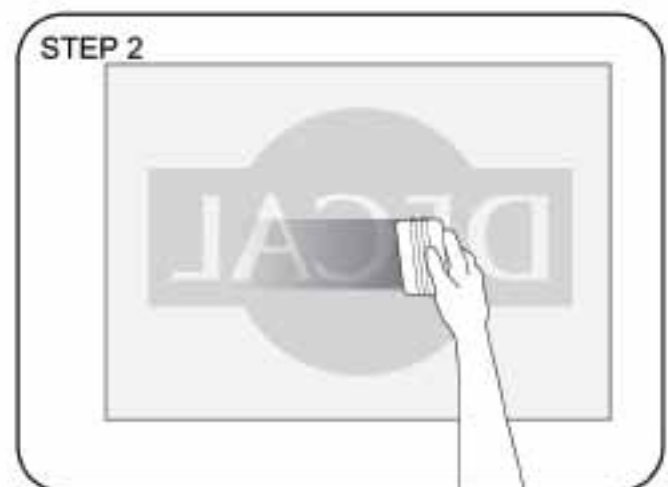
TOOLS REQUIRED



APPLICATION

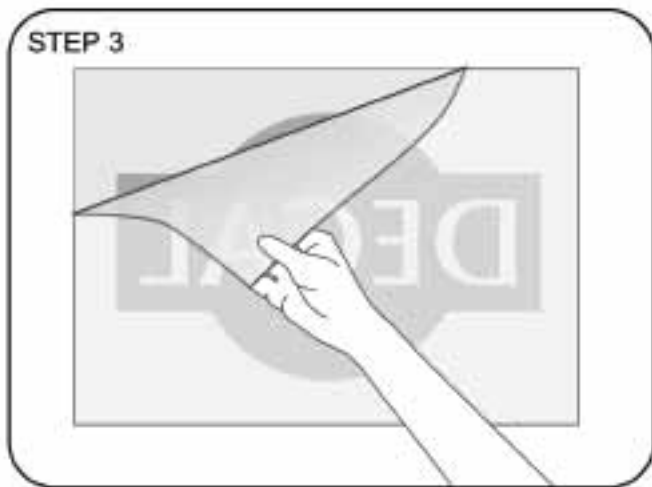


Using Isopropyl Alcohol, prep the vehicle surface. Make sure to buff off any residue or cloudy areas.

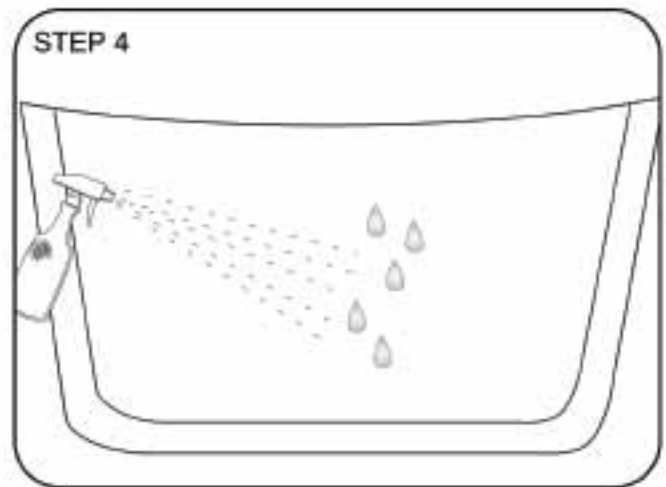


IMPORTANT

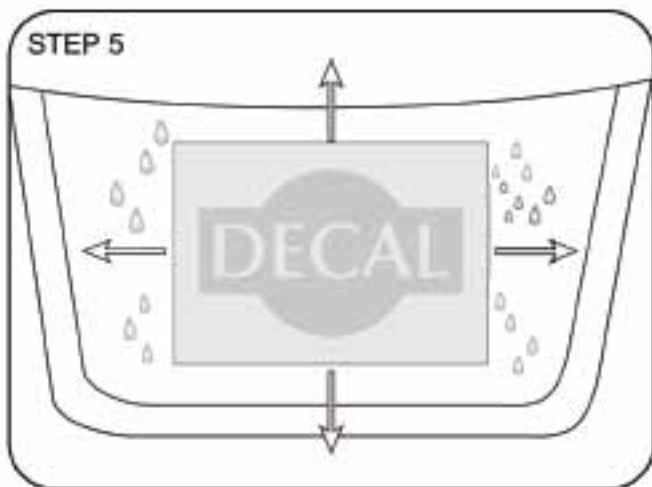
Before beginning installation place decal face down, and on the **reverse** side, burnish the decal firmly onto the pre-mask material.



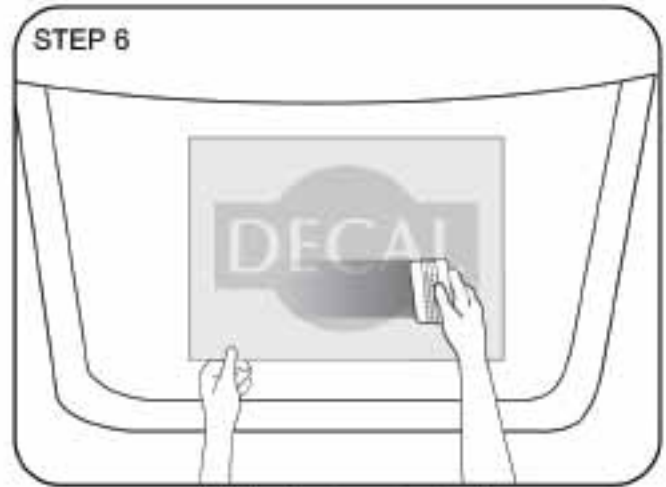
With decal face down on a hard surface, **slowly** peel backing film away from the decal.



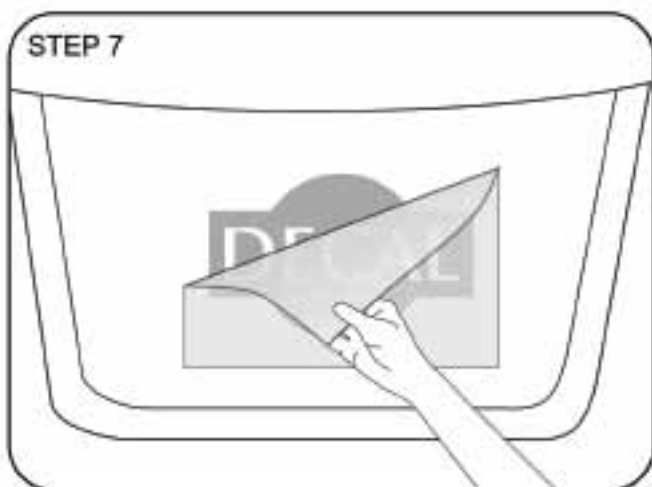
Using a atomizer, filled with the soap/water solution, mist entire area where decal is to be applied.



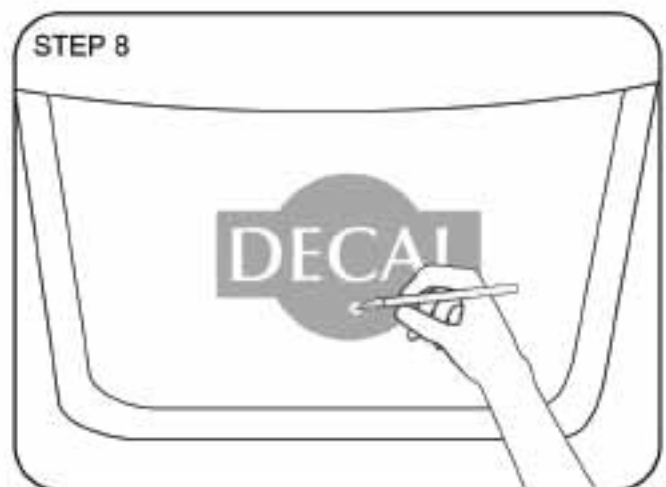
Place the decal on soapy application area and align as required. Decal should slide easily on surface.



Hold the decal on the vehicle, and starting from the center, using a plastic card squeegee out the soap/water solution using overlapping strokes.



Slowly remove pre-mask by peeling it back, flat against the surface. Dry the area and check for 100% contact with surface.



Locate any small air pockets and prick using a pin or sharp x-acto knife near the bottom of the air pocket. Using medium pressure, squeeze out any air.