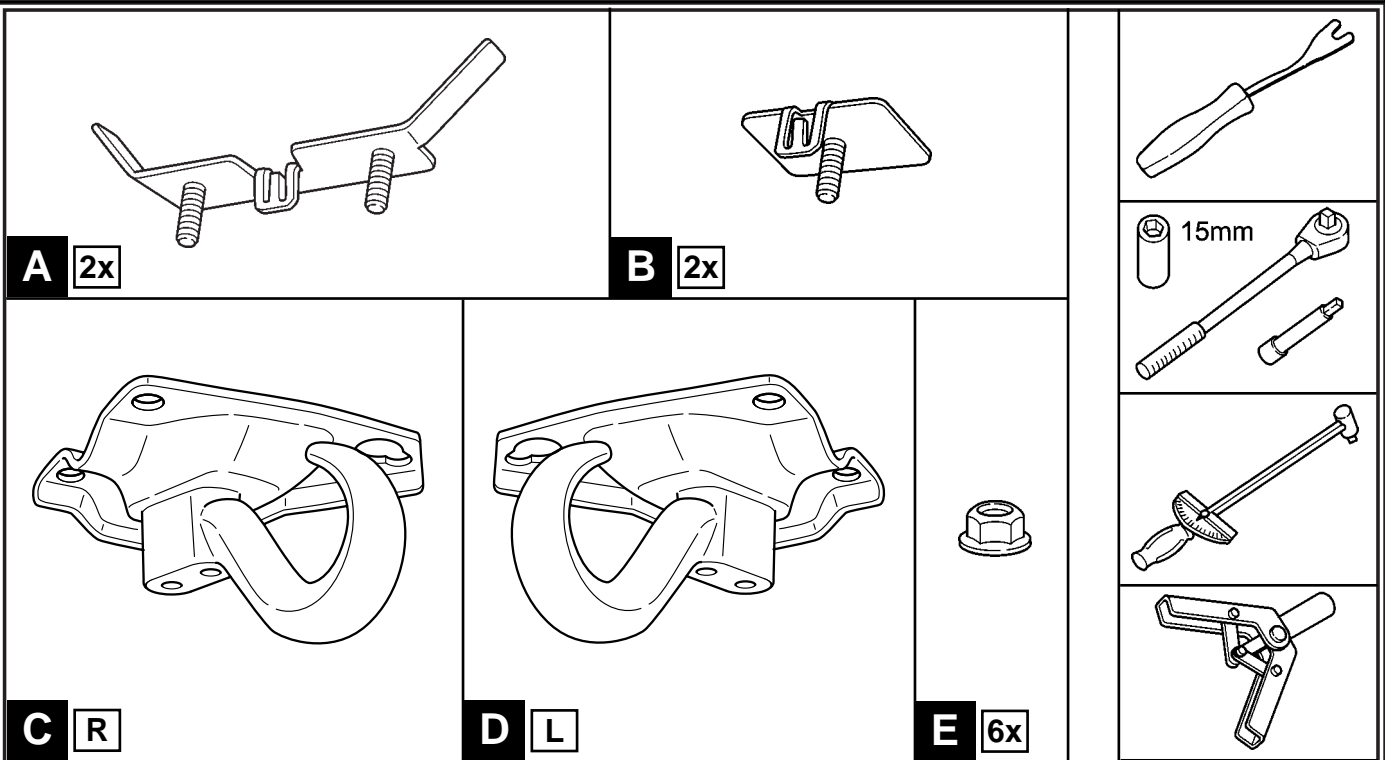




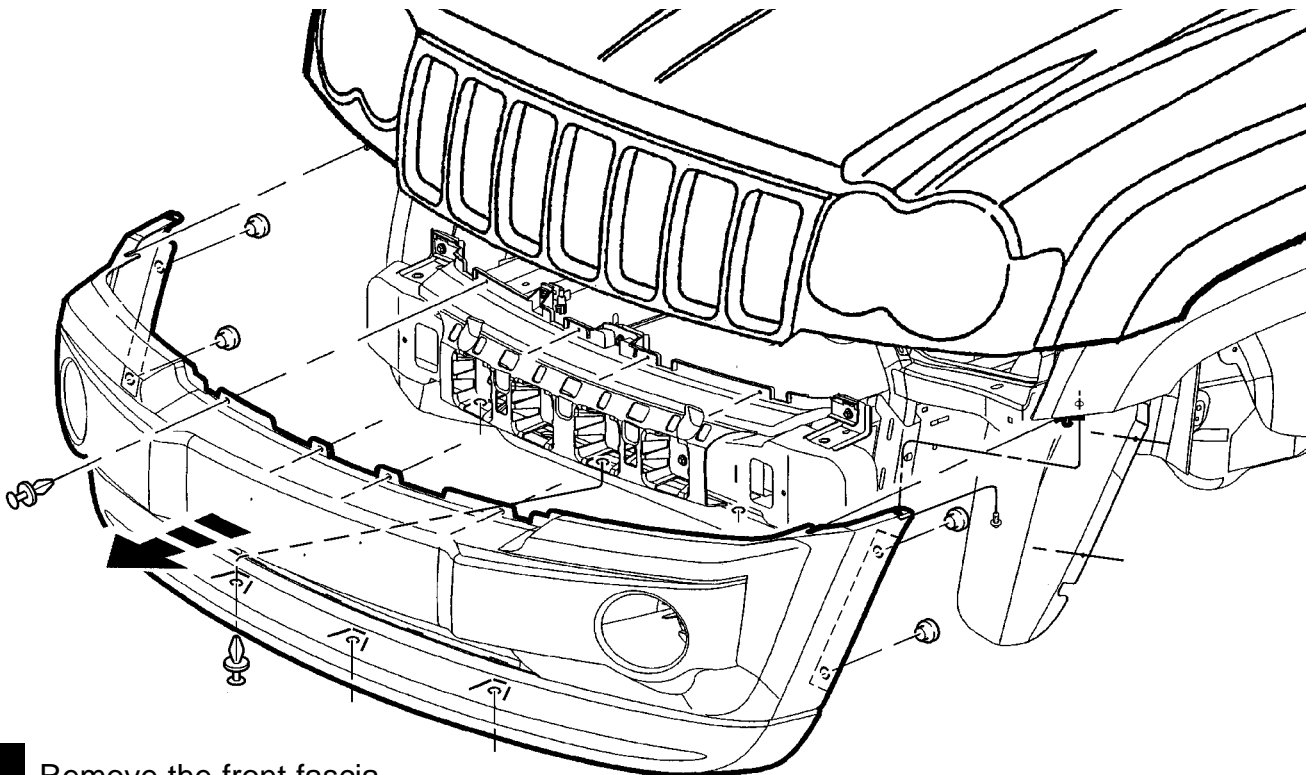
# JEEP GRAND CHEROKEE / JEEP COMMANDER

## Front Tow Hooks

MOPAR®

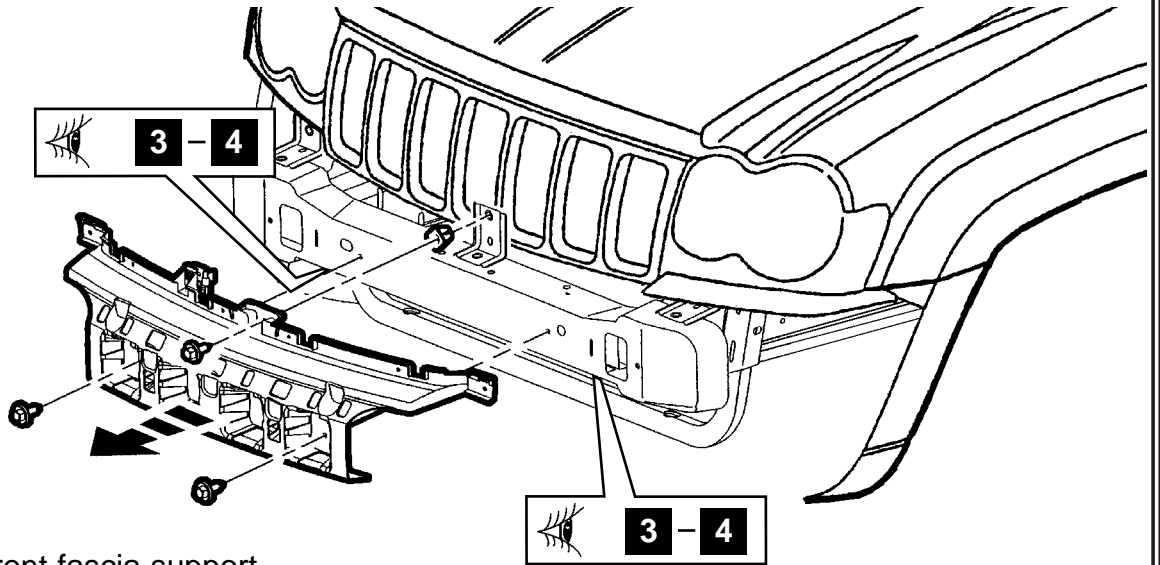


### JEEP GRAND CHEROKEE

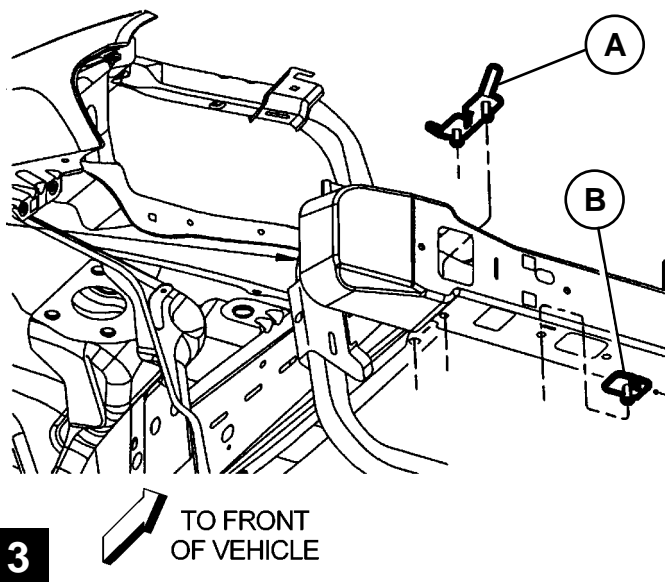


**1** Remove the front fascia.

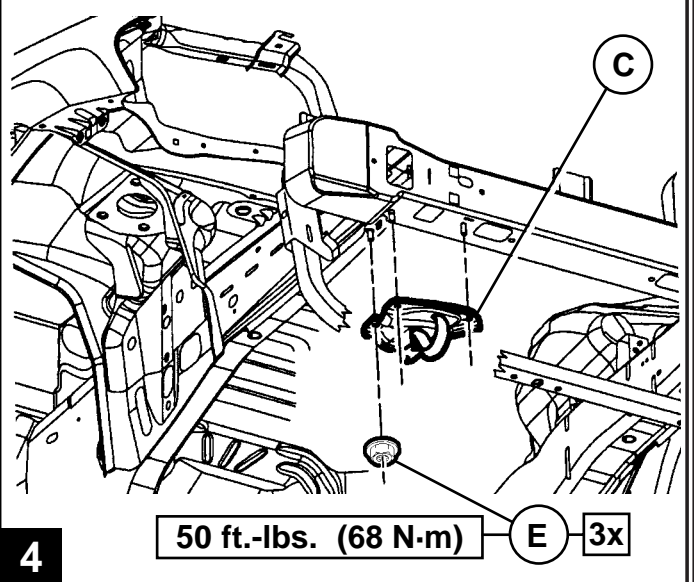
# JEEP GRAND CHEROKEE



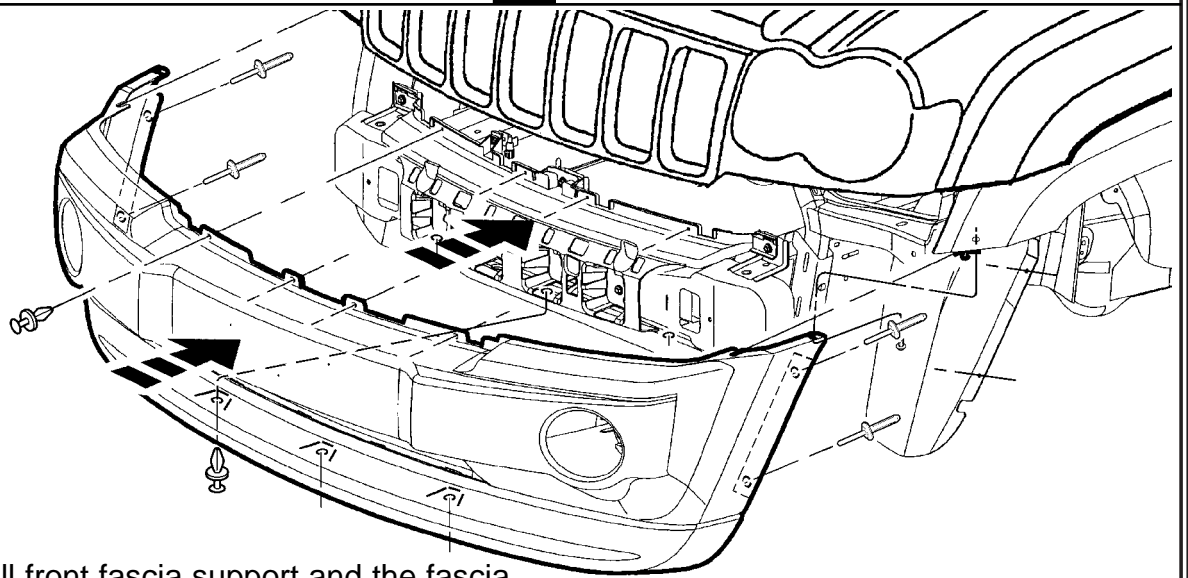
**2** Remove front fascia support.



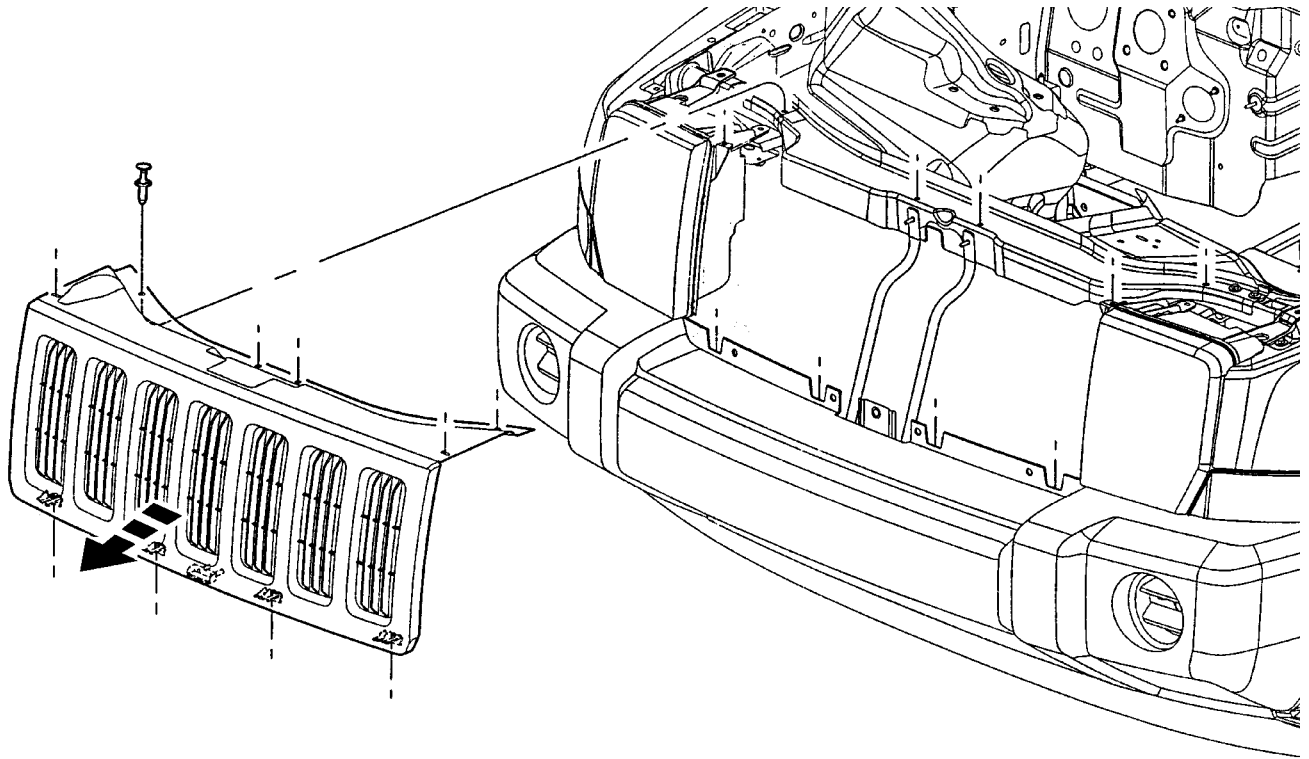
**3**



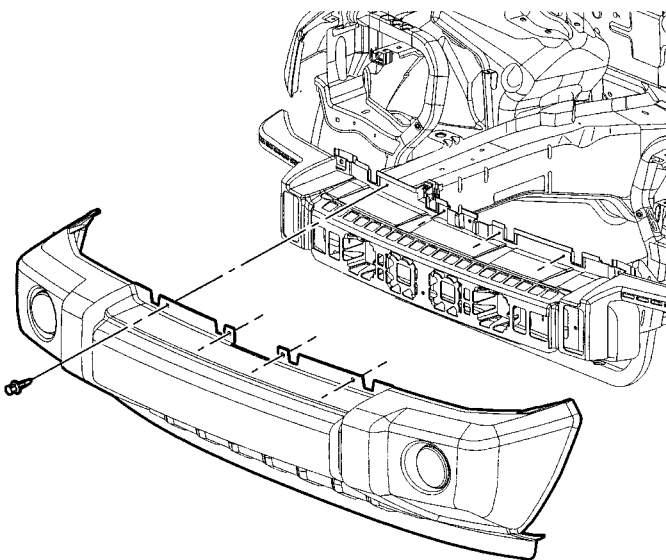
**4**




**5** Re-install front fascia support and the fascia.

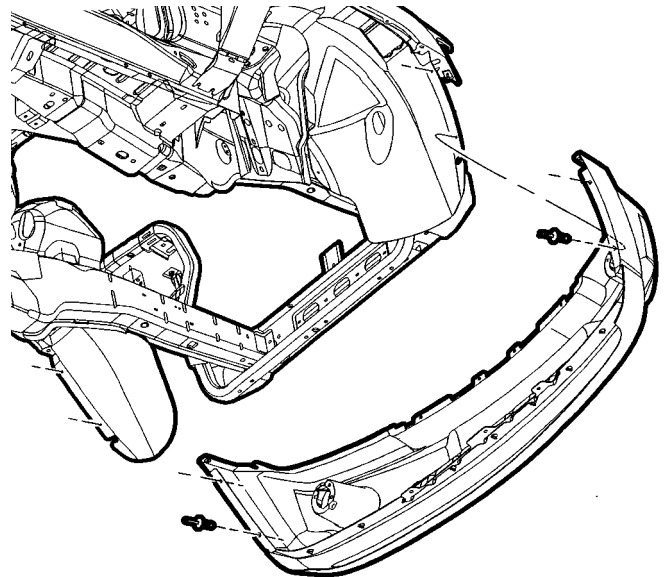


**1** Remove the front grille.

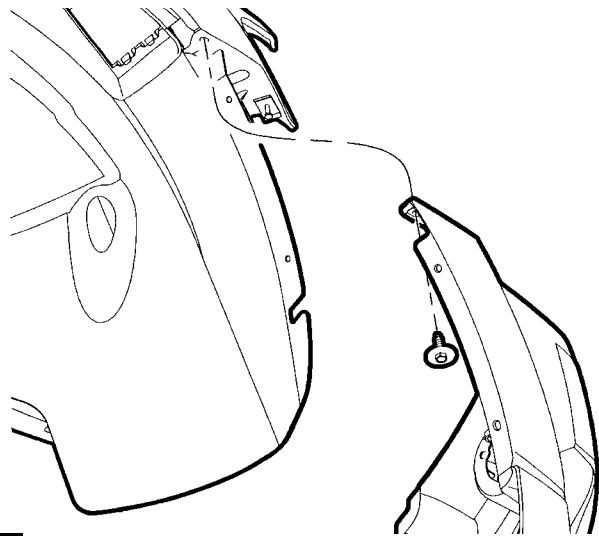


 **2 - 5** For front fascia removal.

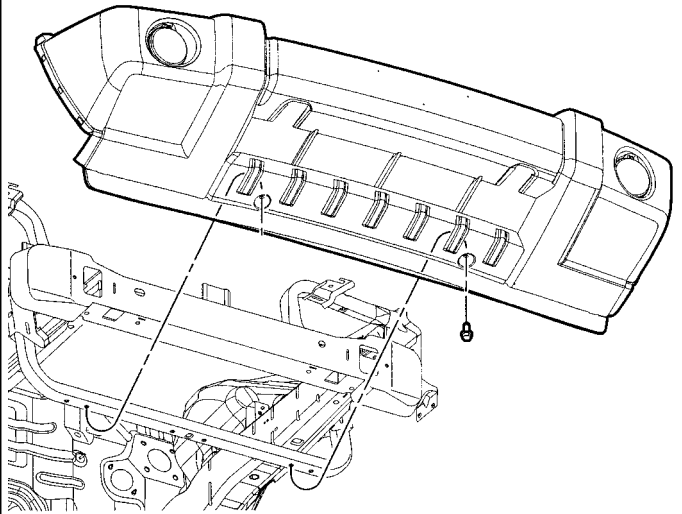
**2** Remove (4) push pin fasteners.



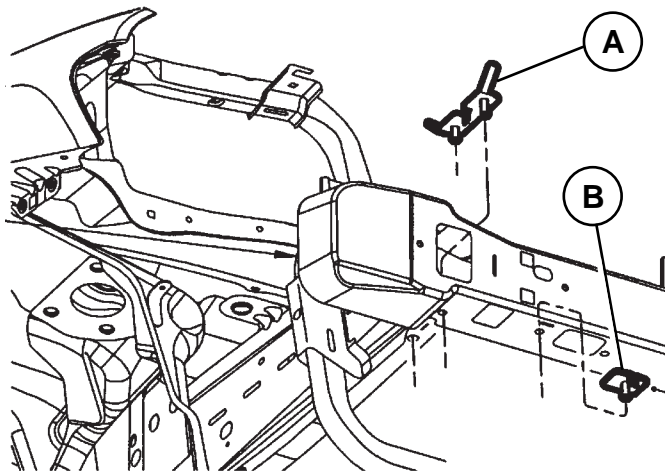
**3** Remove (3) plastic rivets each side.



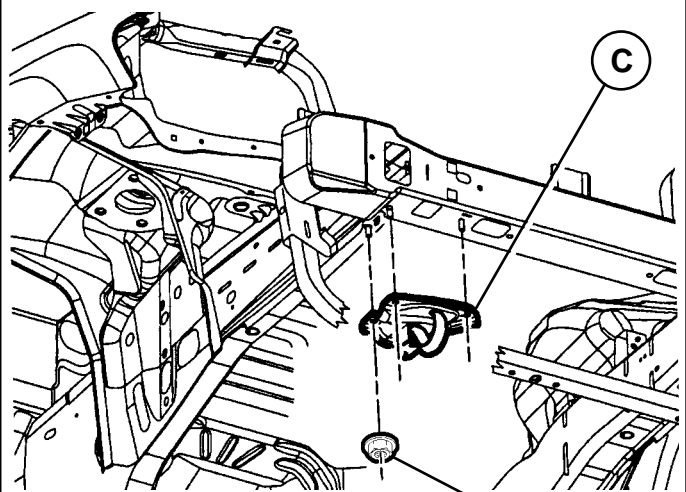
**4** Remove (1) screw each side.



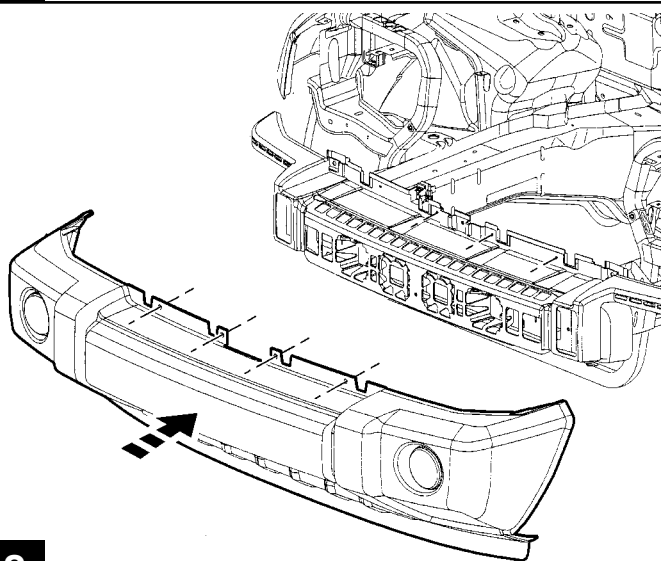
**5** Remove (2) lower screws.



**6** TO FRONT OF VEHICLE



**7** 50 ft.-lbs. (68 N-m) **E** 3x



**8** Re-install front fascia.