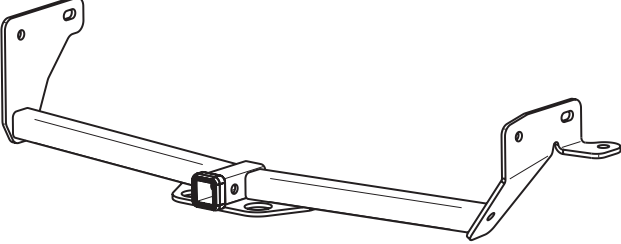
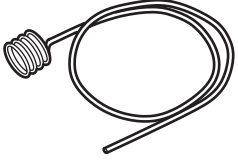
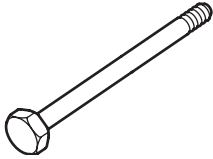

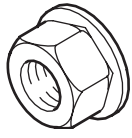
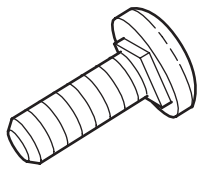
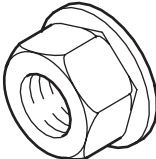
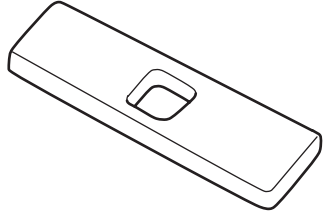
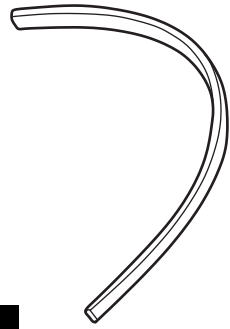
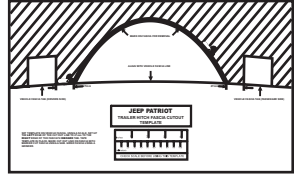
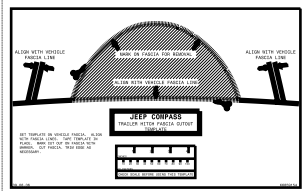
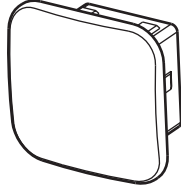


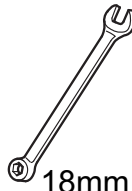
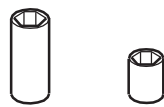
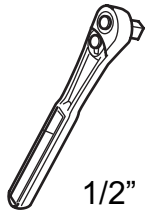
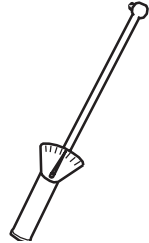
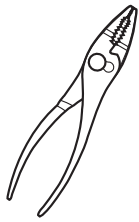

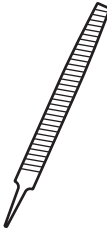
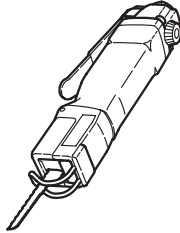


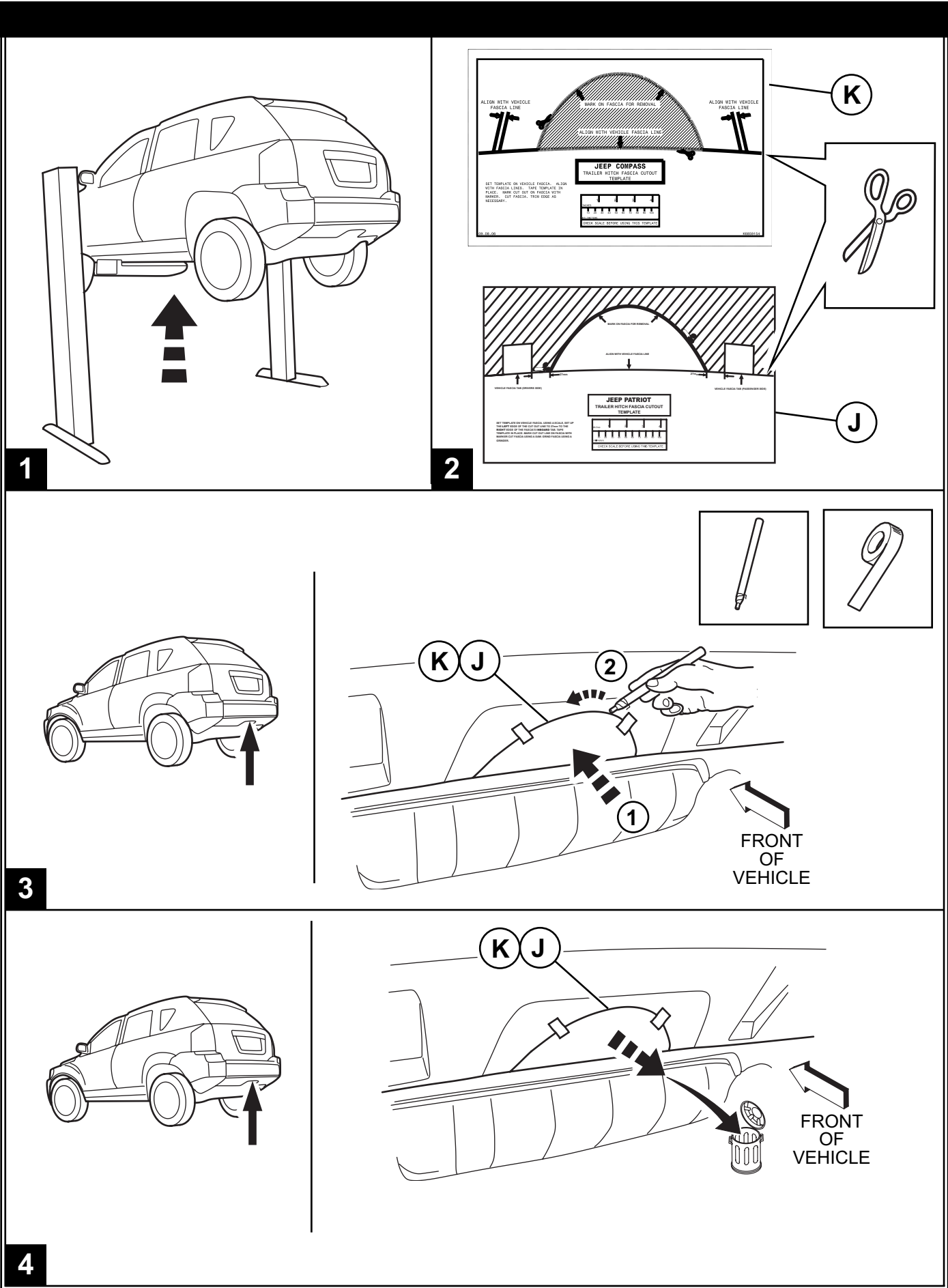


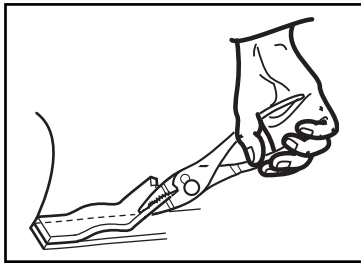
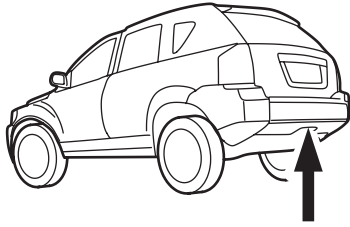
MOPAR®

JEEP COMPASS / JEEP PATRIOT

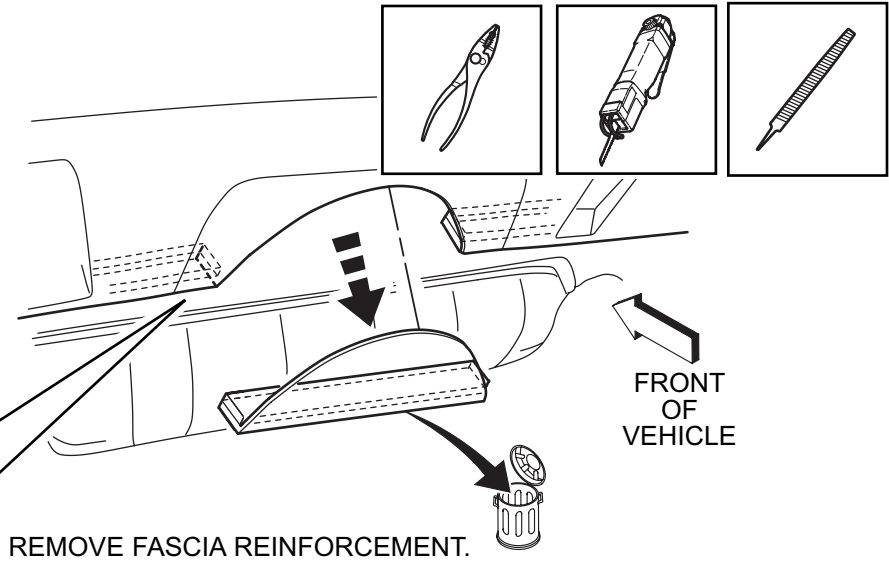
Trailer Hitch

 A	 B	 C 4x		
 D 4x	 E 4x	 F	 G	 H
 I	 J	 K	 L	
		 18mm	 11/16" 18mm	 1/2"
				

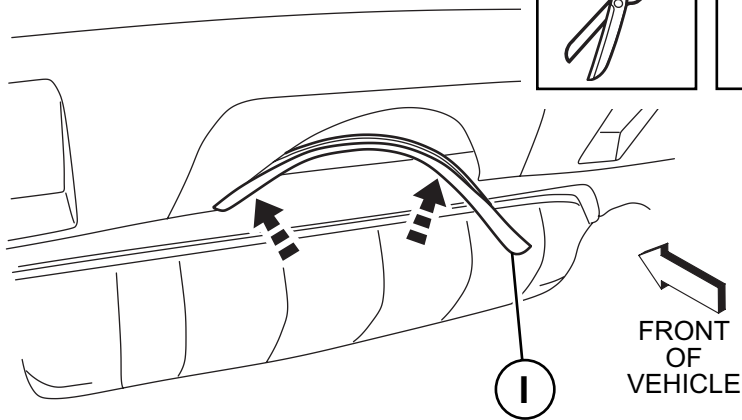
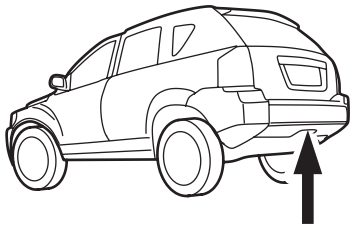




5

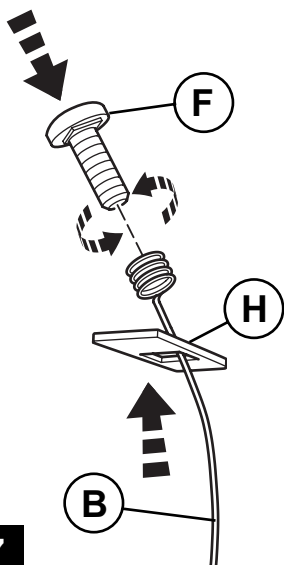


REMOVE FASCIA REINFORCEMENT.

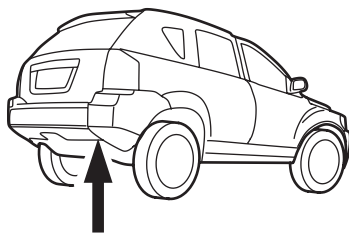


6

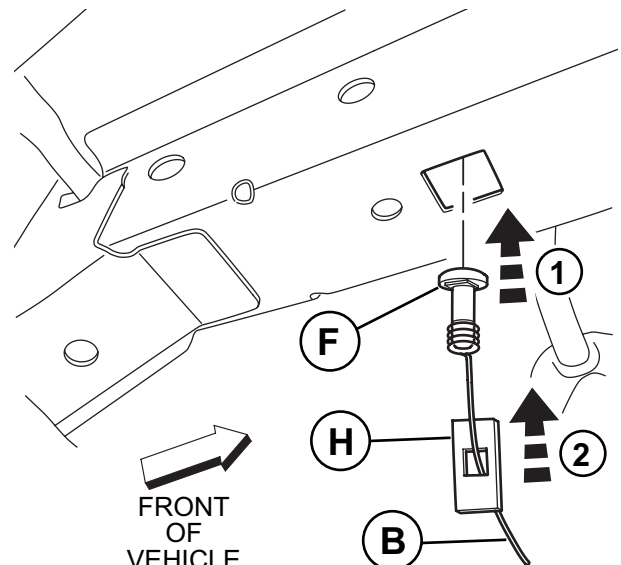
CUT AWAY EXCESS LENGTH.
CRIMP TRIM PIECE WITH PLIERS AFTER INSTALLING.



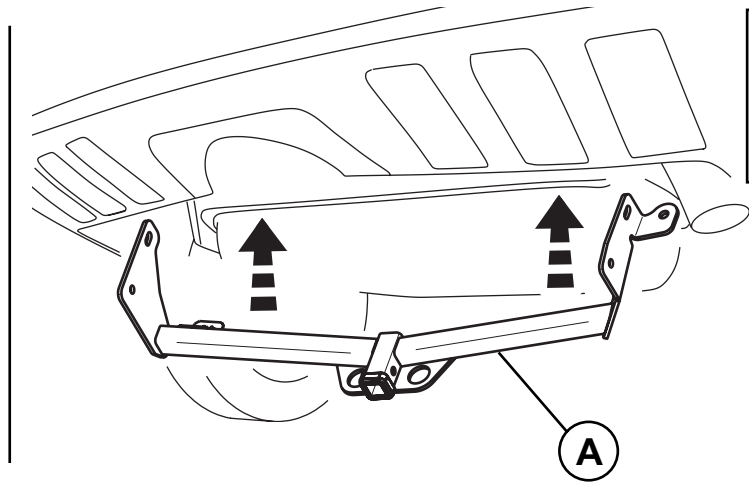
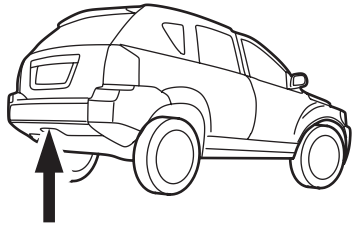
7



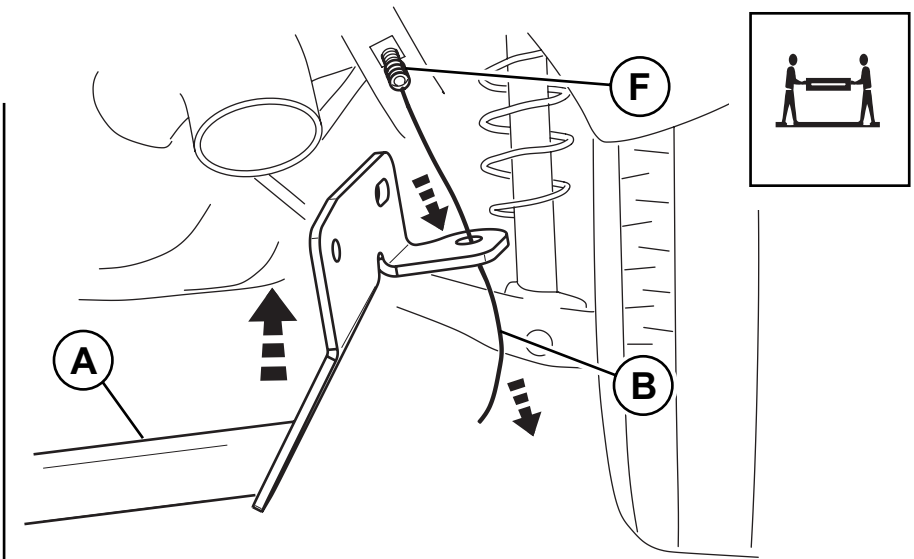
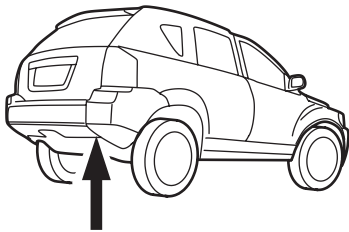
8



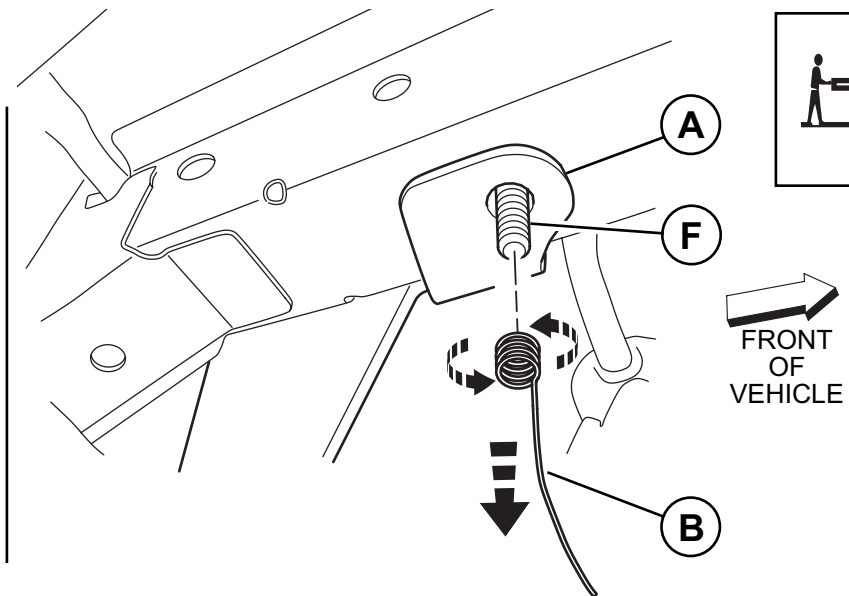
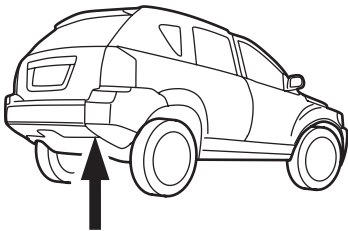
FRONT OF VEHICLE



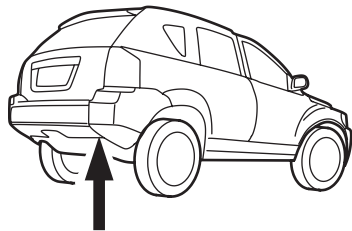
9



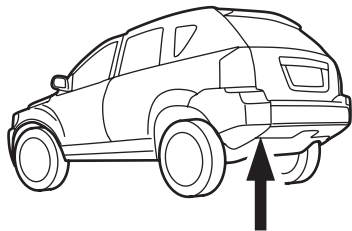
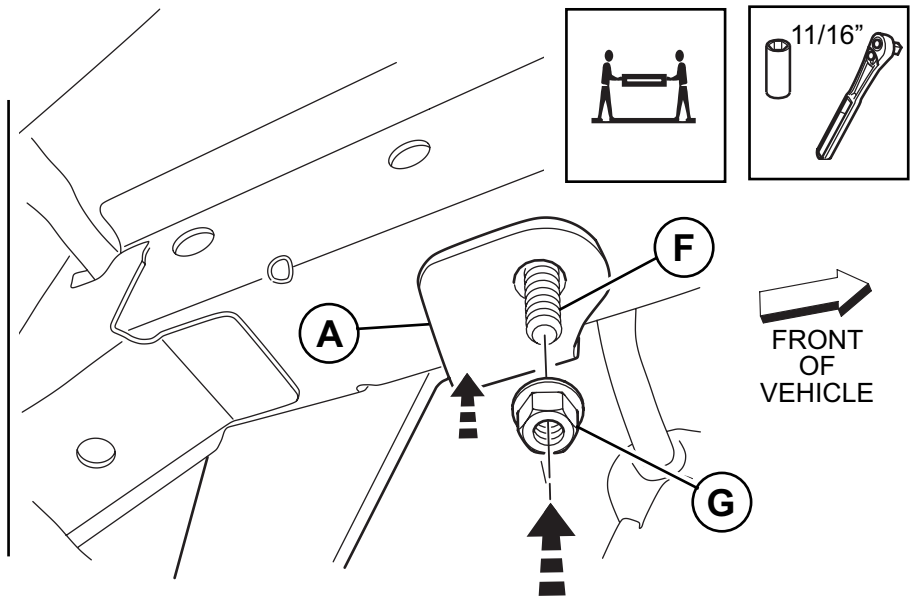
10



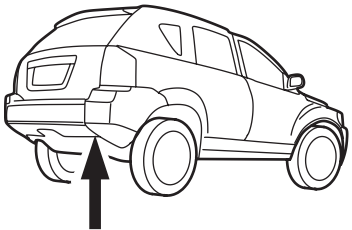
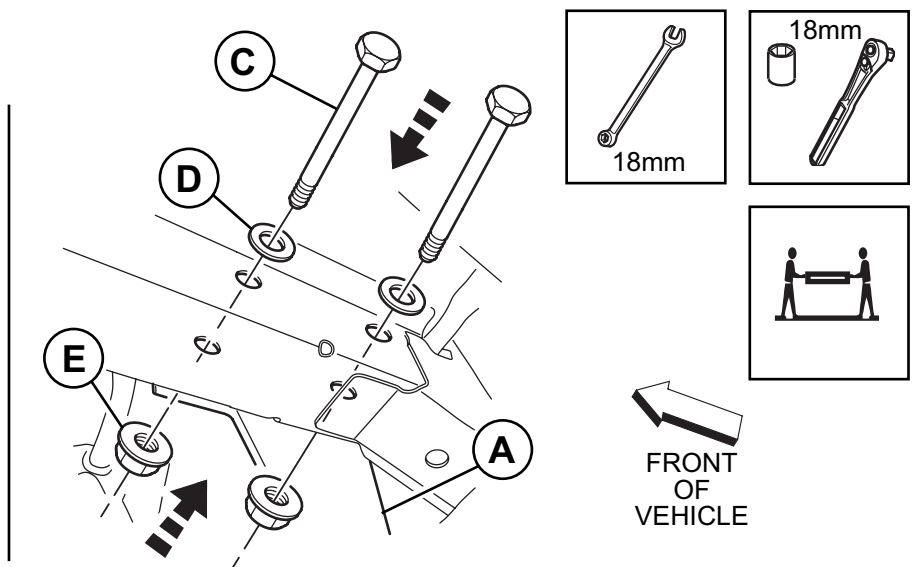
11



12



13



14

