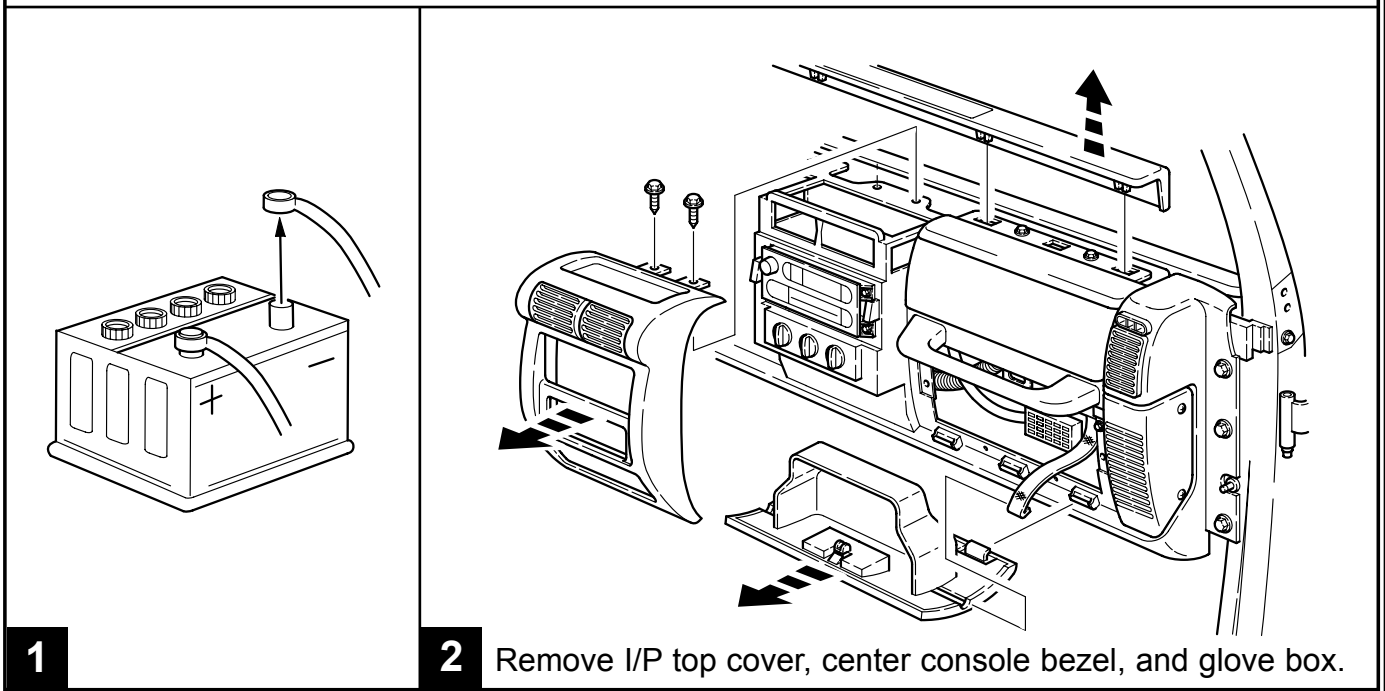
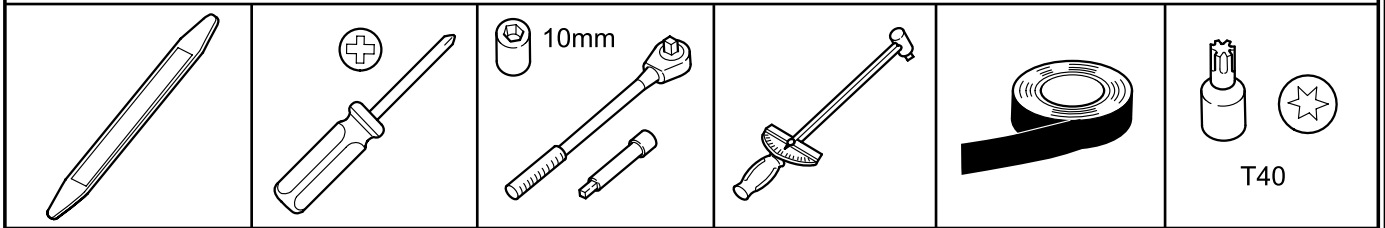
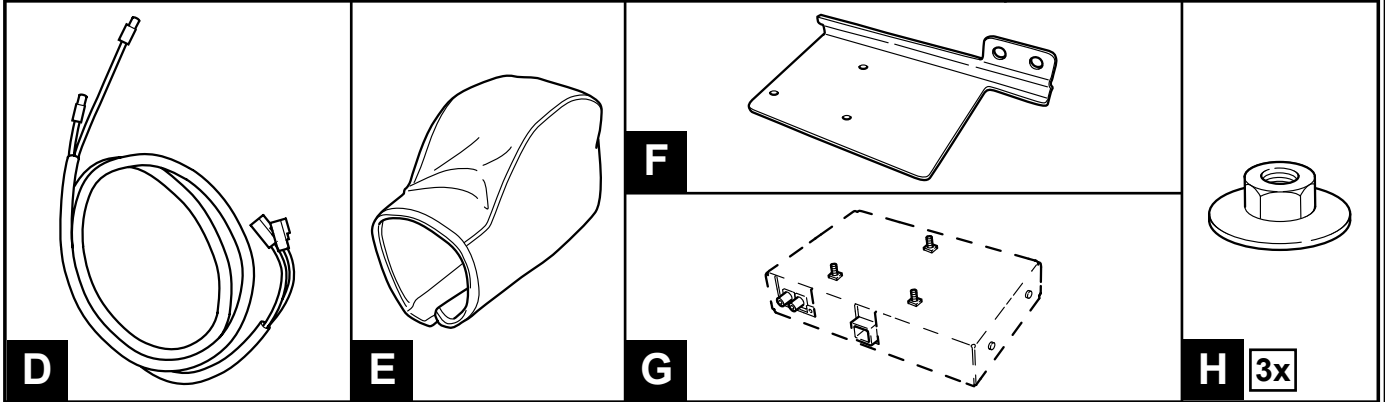
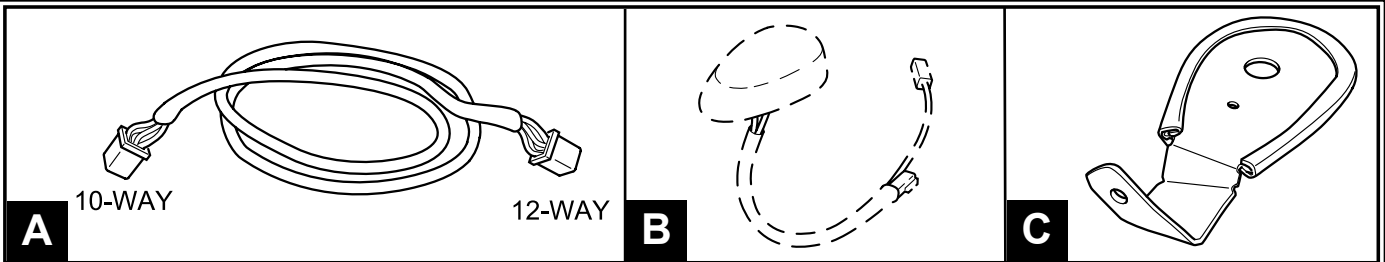


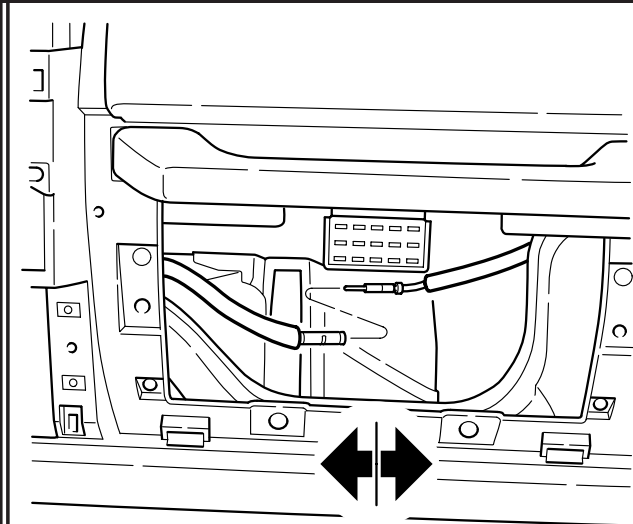


MOPAR®

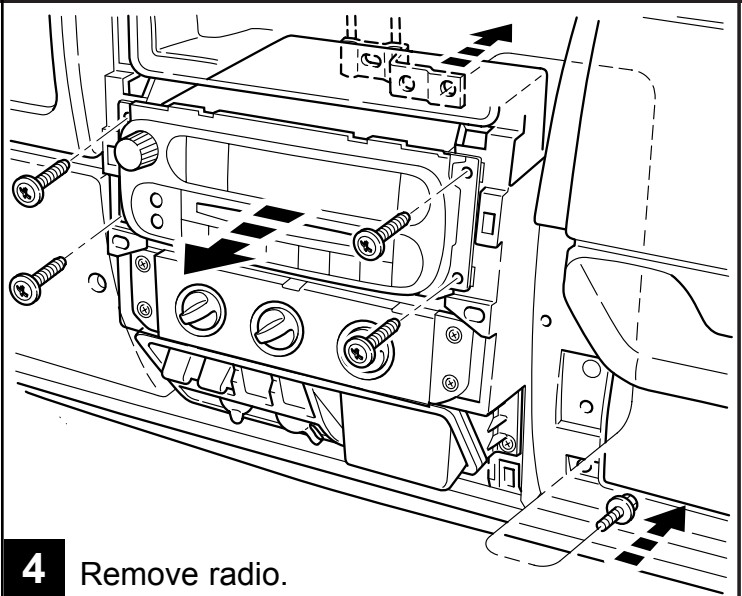
JEEP WRANGLER

Satellite Radio

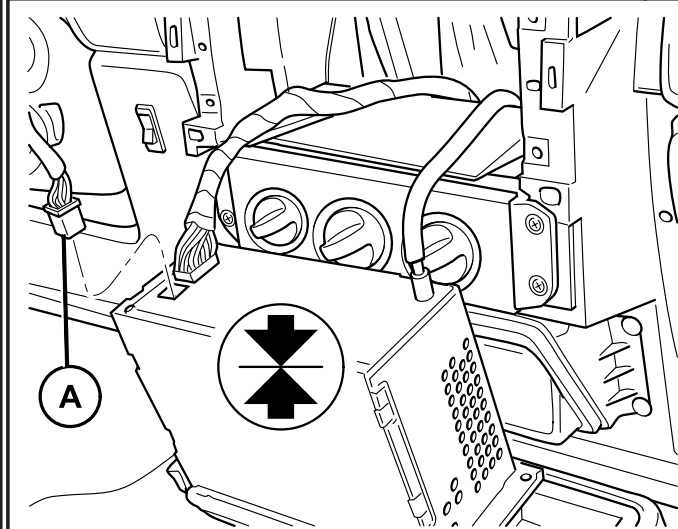




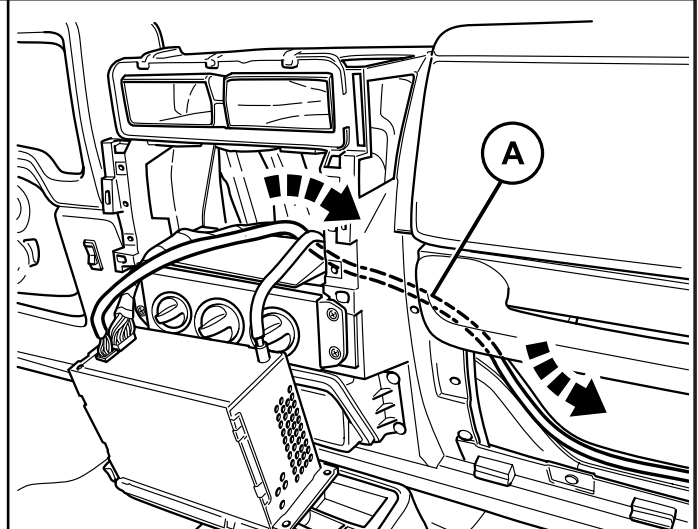
3 Disconnect radio antenna.



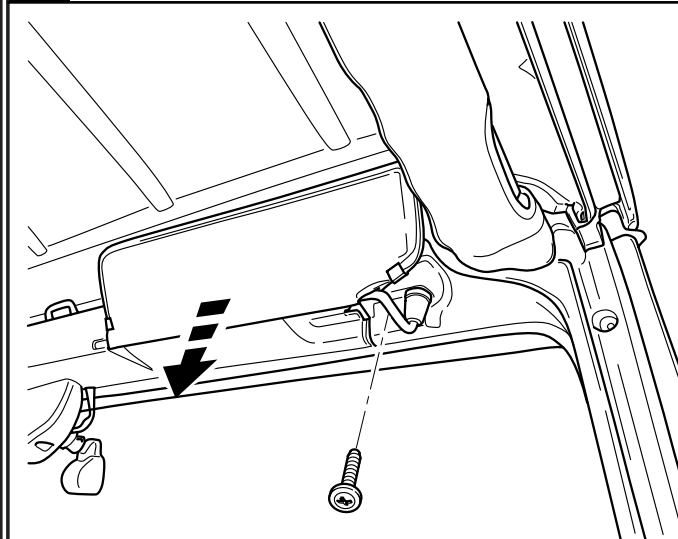
4 Remove radio.



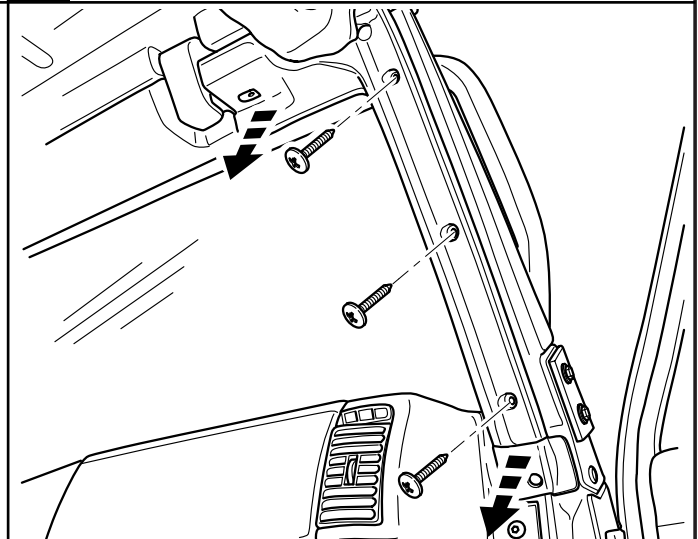
5 Plug 10-way harness connector into radio.



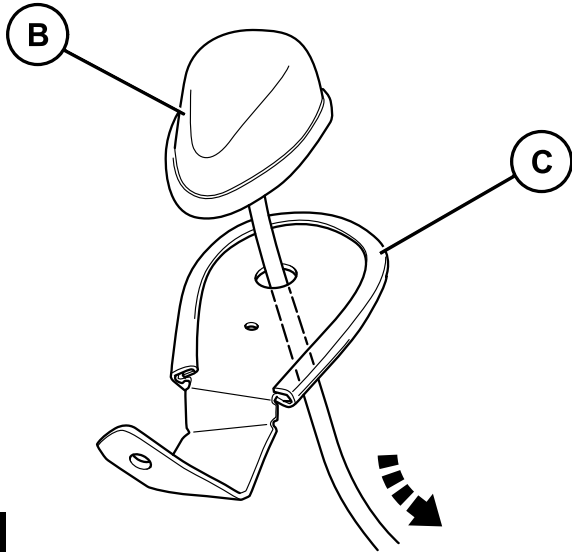
6 Route harness into glove box opening.



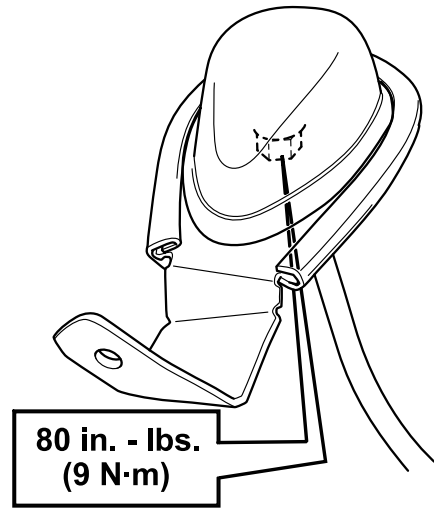
7 Remove right (passenger's side) sun visor.



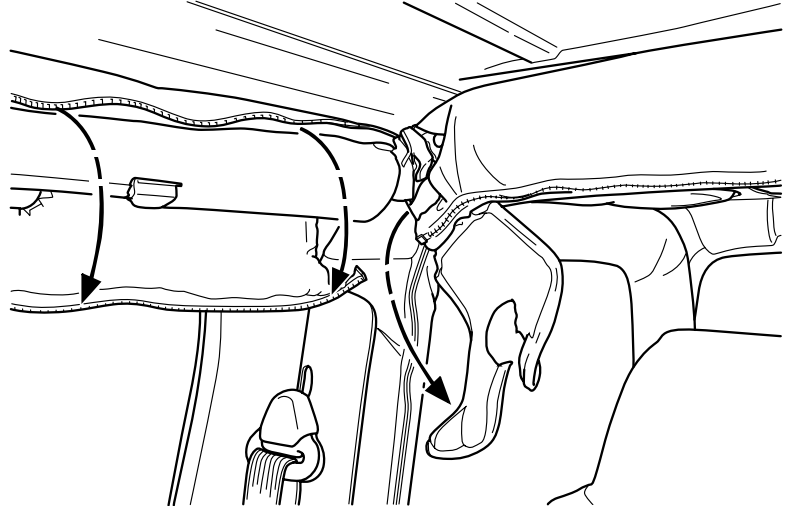
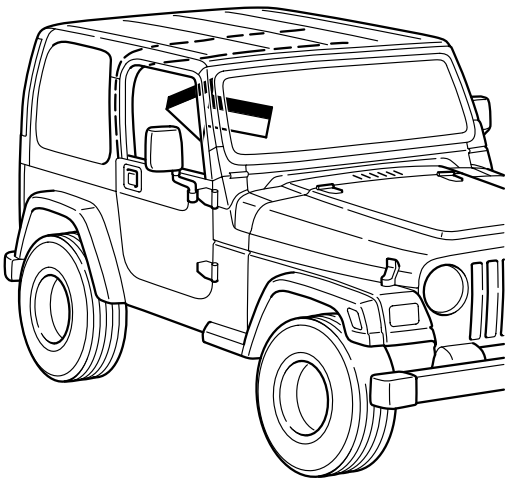
8 Remove right A-pillar trim.



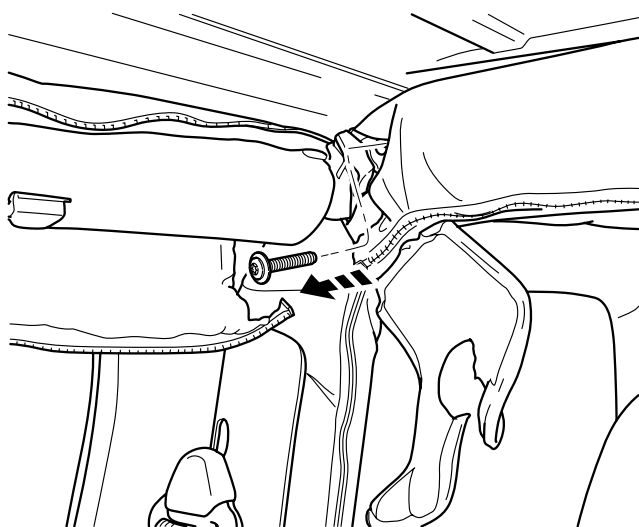
9



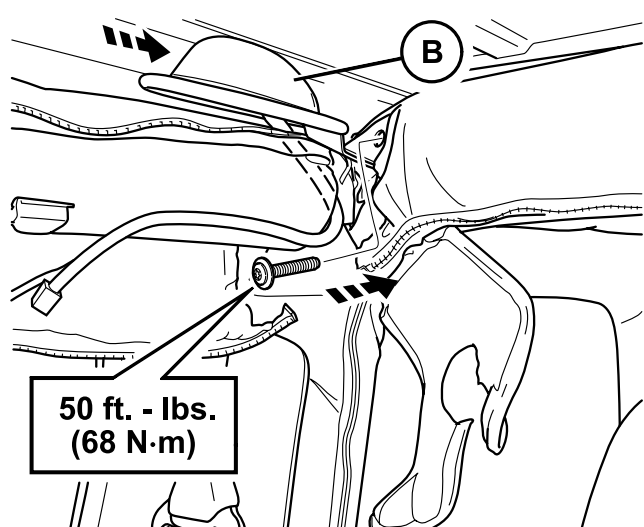
10



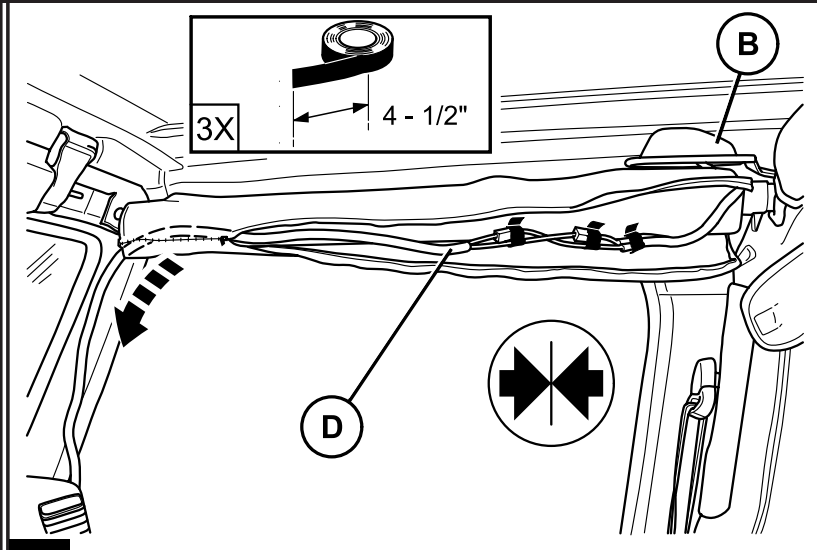
11 Pull flaps away from right corner of sport bar and un-zip upper right bar pillow.



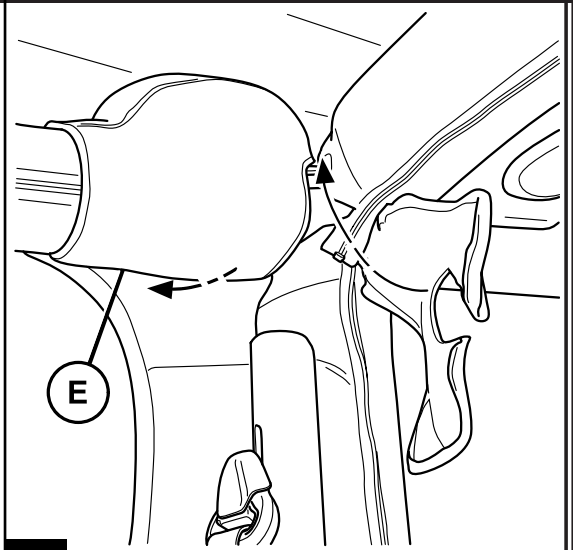
12 Remove (1) T40 screw.



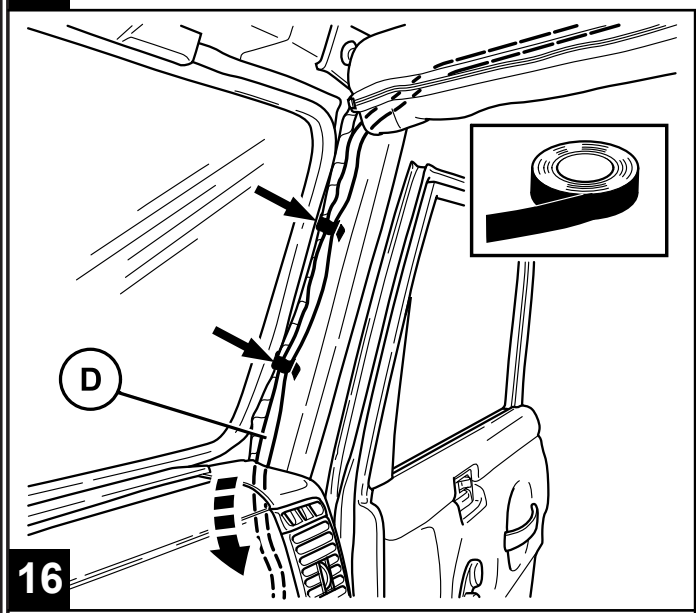
13 Install antenna assembly.



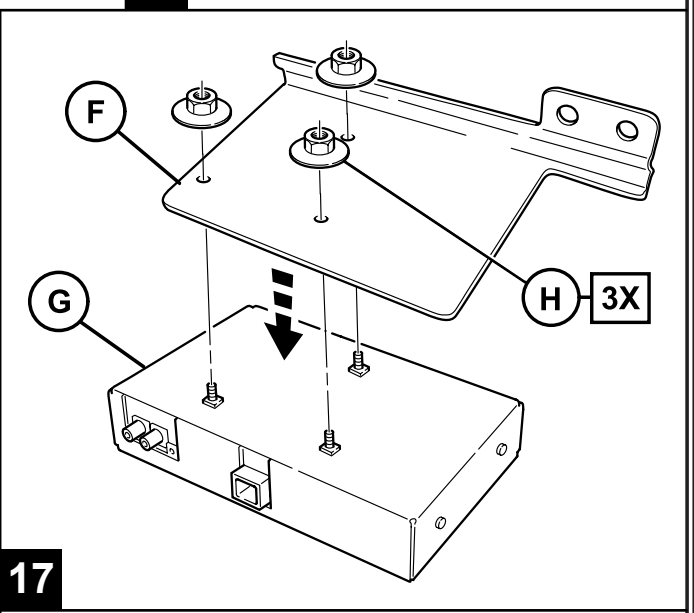
14 Match connector colors and keying.



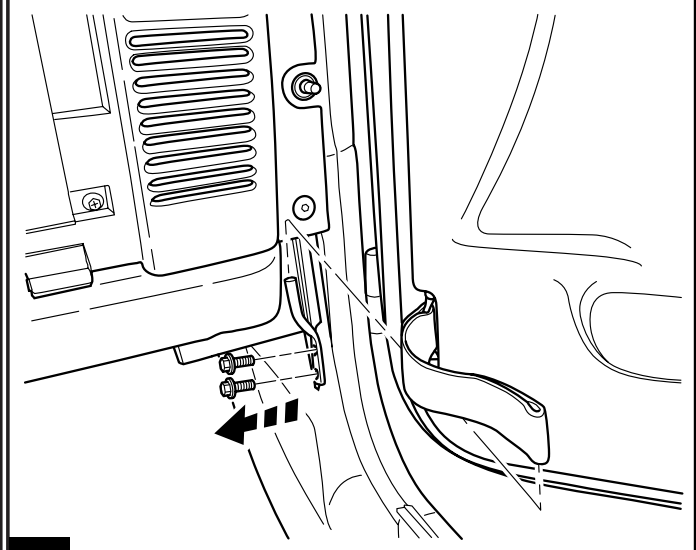
15 Install antenna boot.



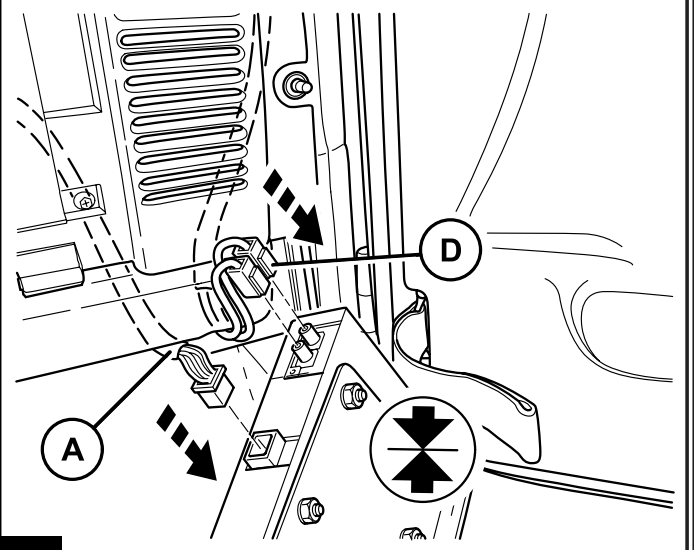
16



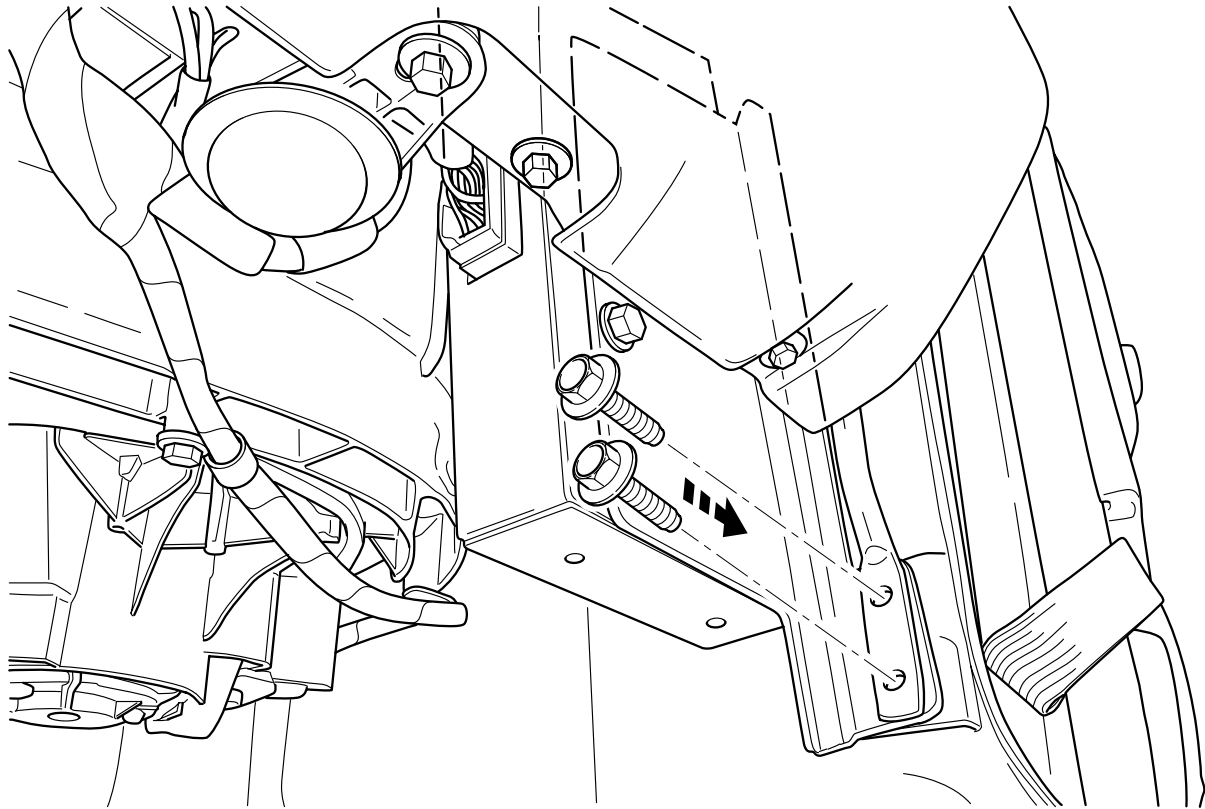
17



18 Remove right door strap and retainer.



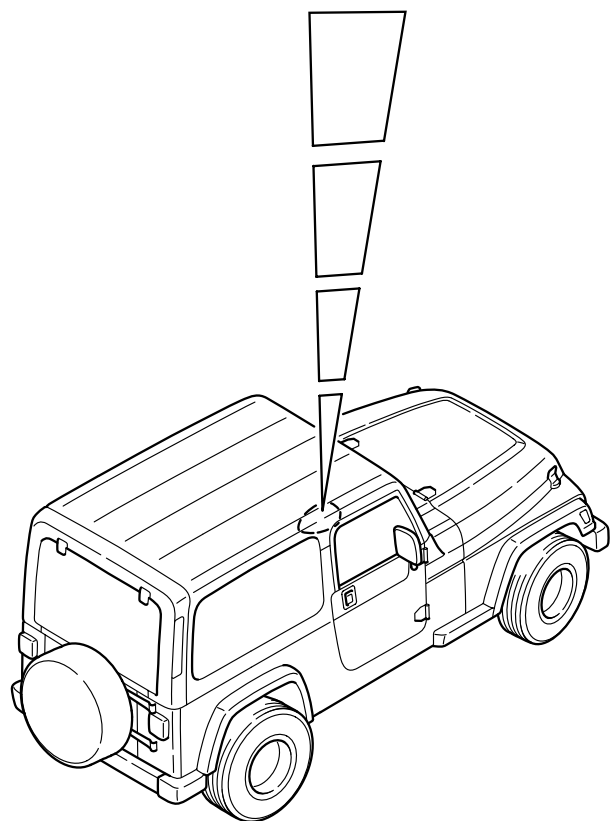
19 Attach antenna cable and harness connector.



20 Install receiver behind door strap retainer. Re-install door strap.

- Re-connect radio antenna located in the glove box opening.
- Re-install the radio and all previously removed panels and fasteners.
- Ensure that harness and cables are not pinched.
- Drive vehicle outside to allow for a clear satellite signal to the antenna.

IMPORTANT: Please affix ES stickers to owner's manual, mirror tag and orange tag. Install mirror tag and attach orange card to invoice. (These items in receiver kit).



21