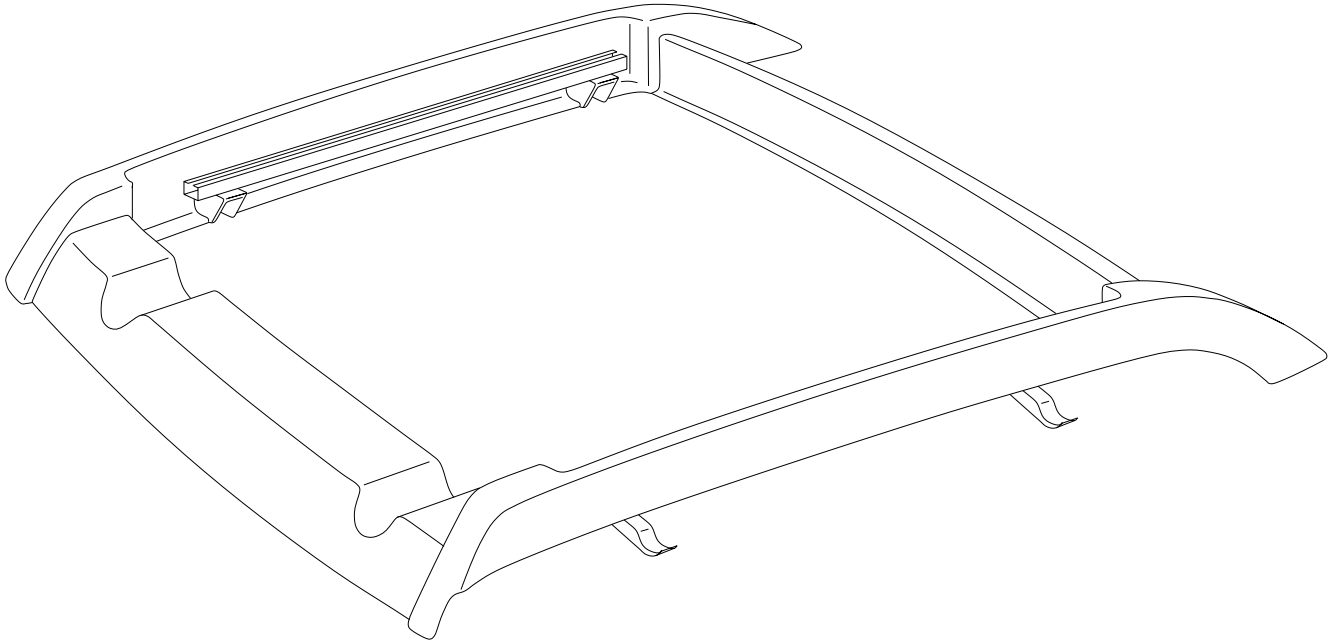




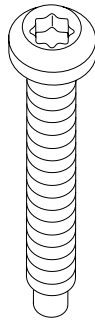
Mopar[®]

PARTS

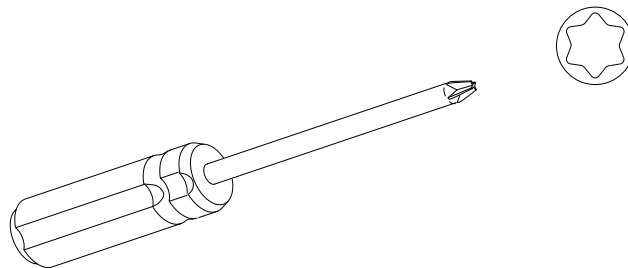
© DAIMLERCHRYSLER

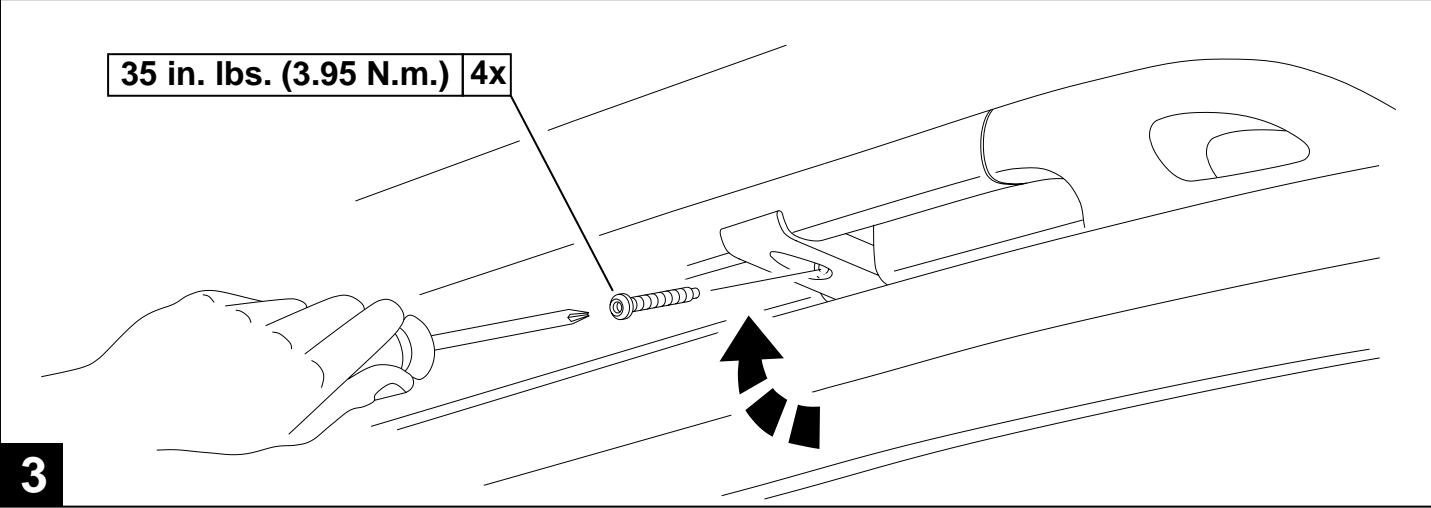
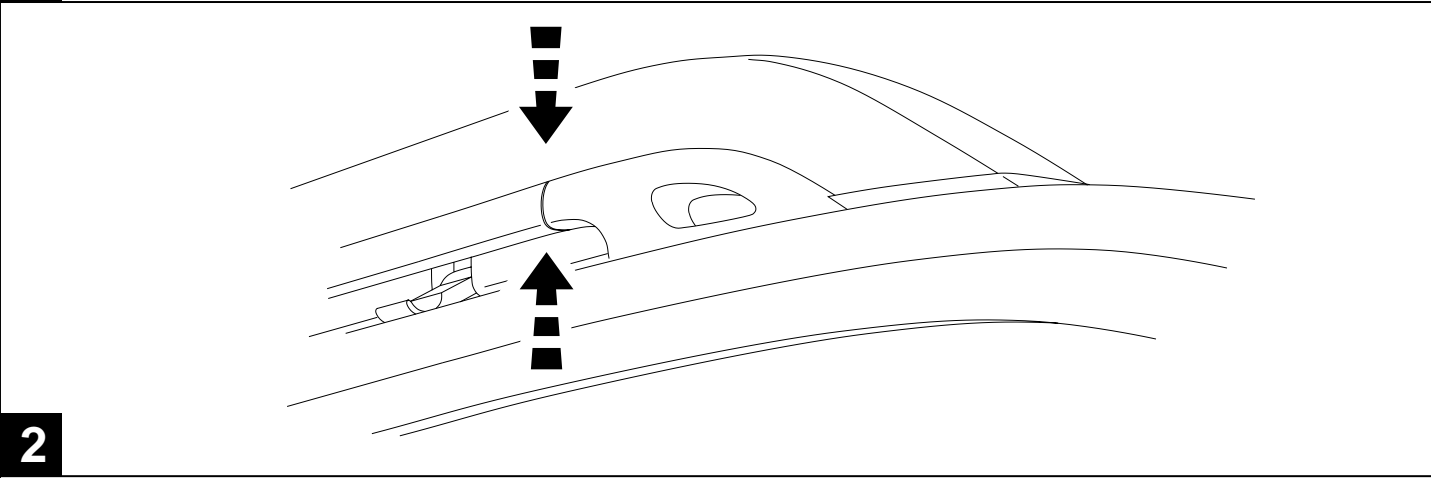
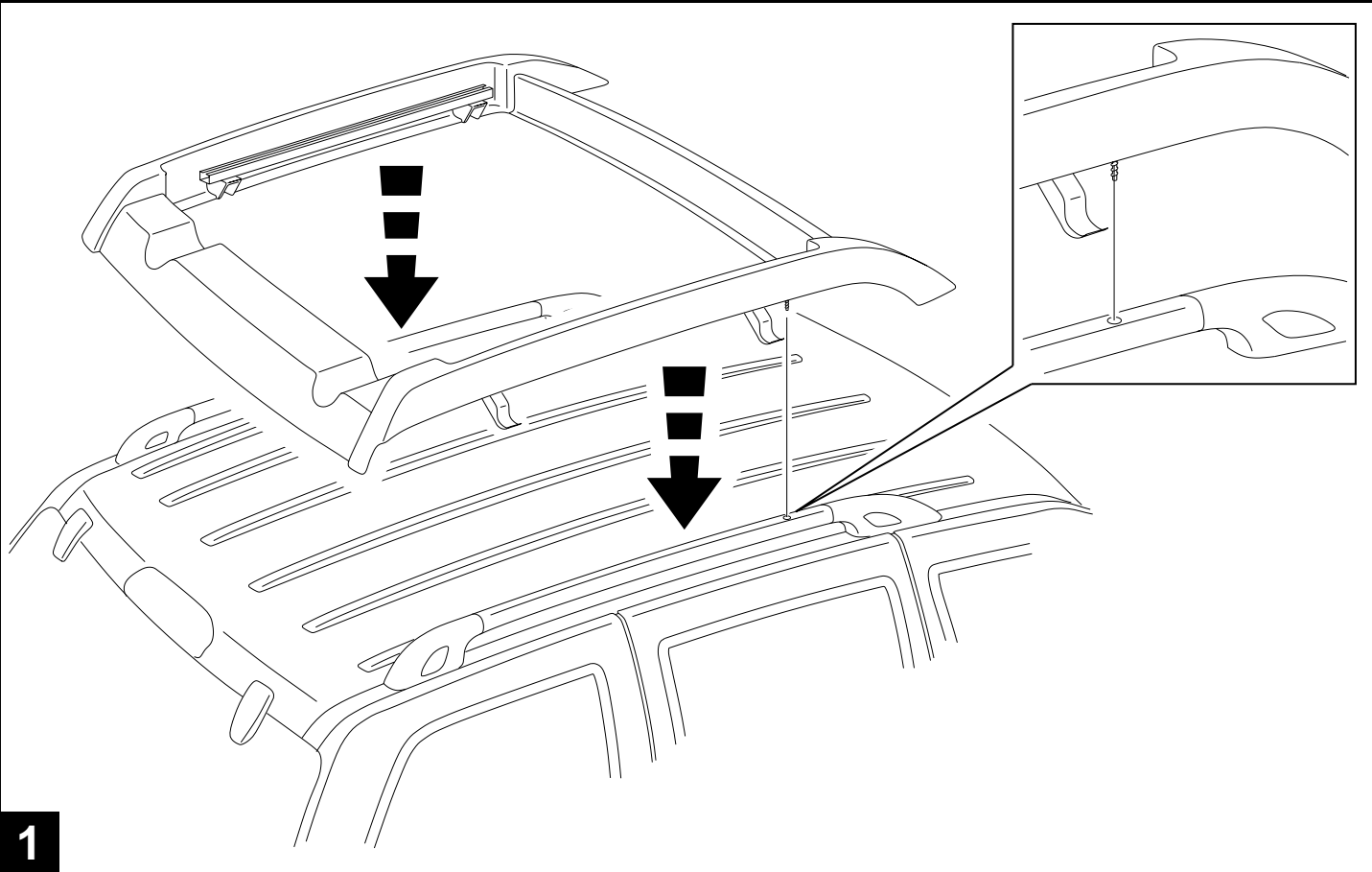


A

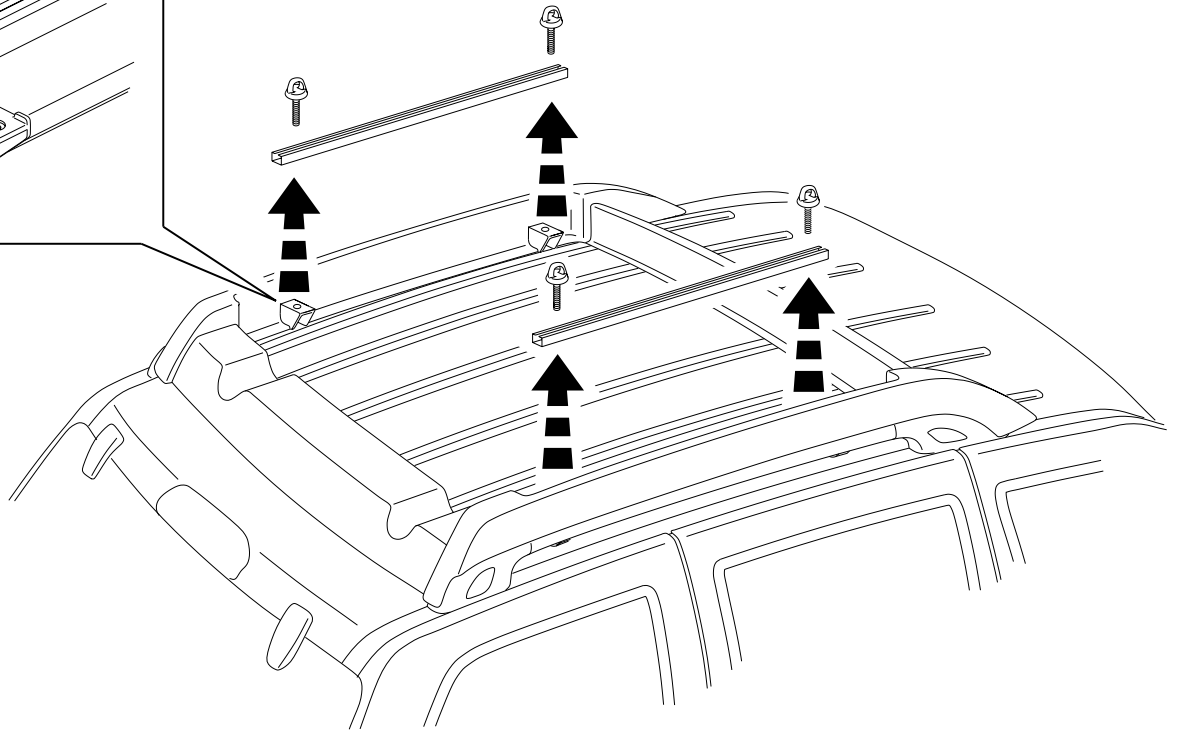
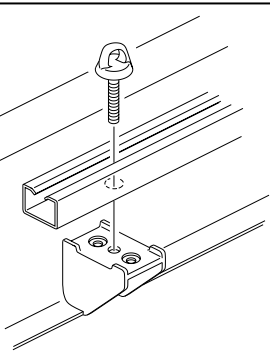


B 4x



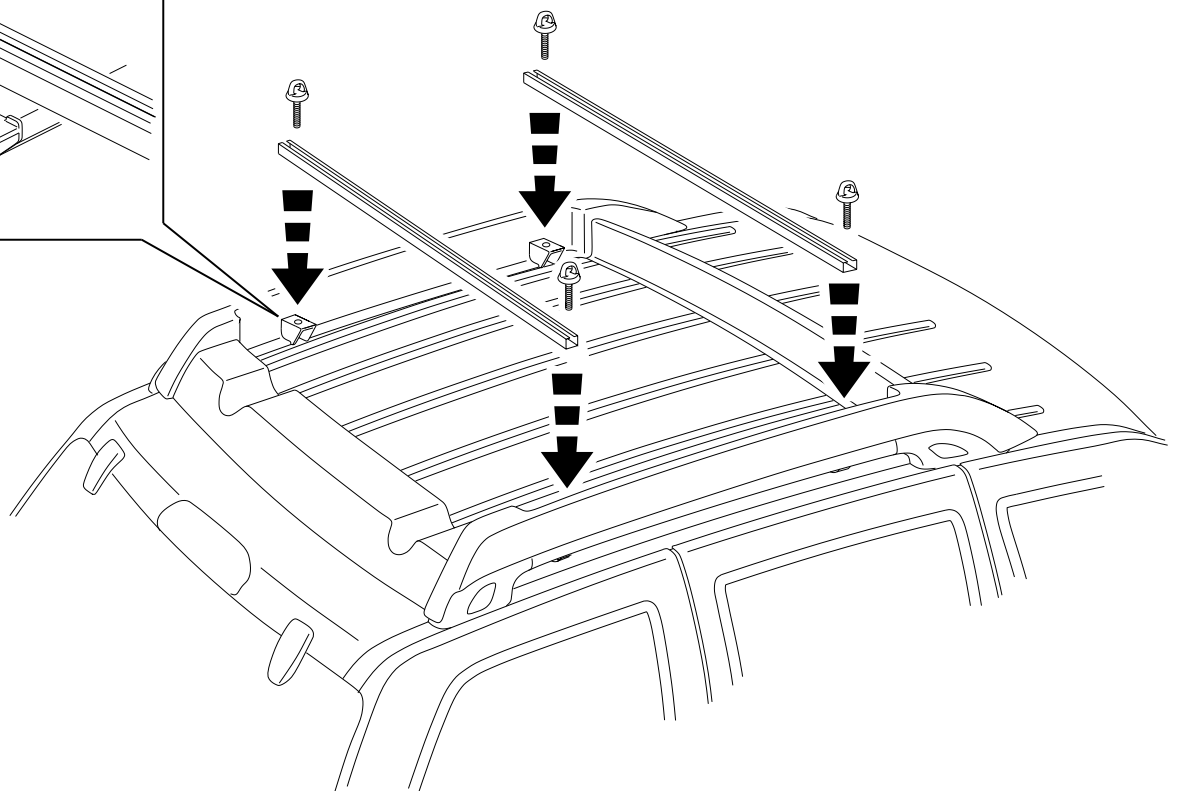
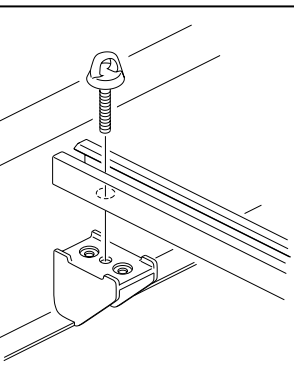


4x



4

4x



5