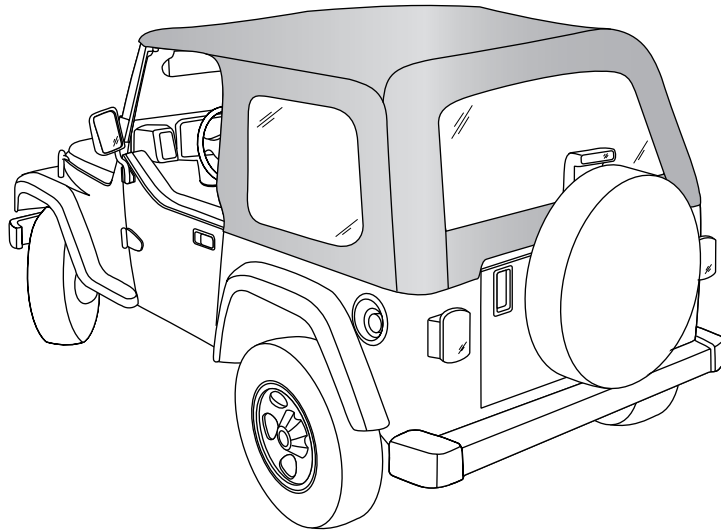




**GENUINE ACCESSORIES**




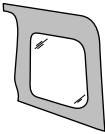
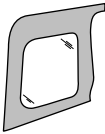
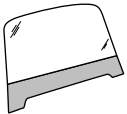
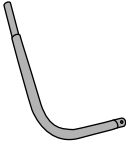
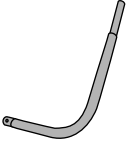
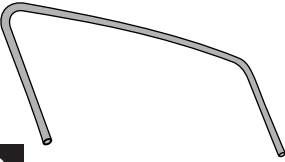
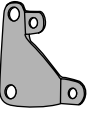
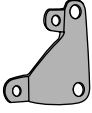
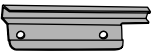
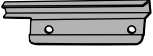
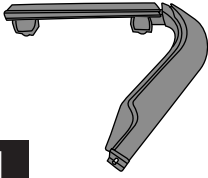
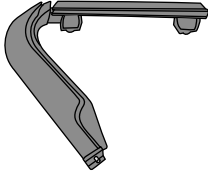
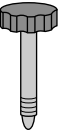
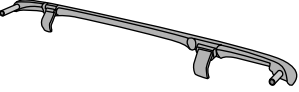
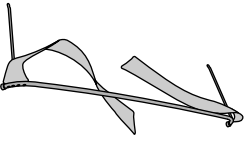
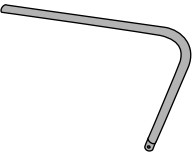
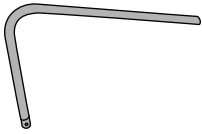
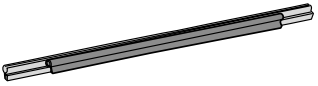


- GB** **INSTALLATION INSTRUCTION** *Top Kit*  
Parts must not be fitted until registration of the vehicle has been obtained.
- E** **INSTRUCCIONES DE MONTAJE**  
No se permite montar las piezas antes de registrar el vehículo.
- F** **NOTICE DE MONTAGE**  
Ne pas monter les pièces avant l'enregistrement du véhicule.
- JP**

Subject to alteration without notice  
Reservadas modificaciones técnicas  
Sous réserve de modifications techniques

1997	82202125	59545
1997	82202126	59545
1997	82202127	59545
1997	82204553	59545
2001	82206623	59645
2001	82206624	59645
2003	82207728	59655
2003	82207729	59655

© DAIMLERCHRYSLER

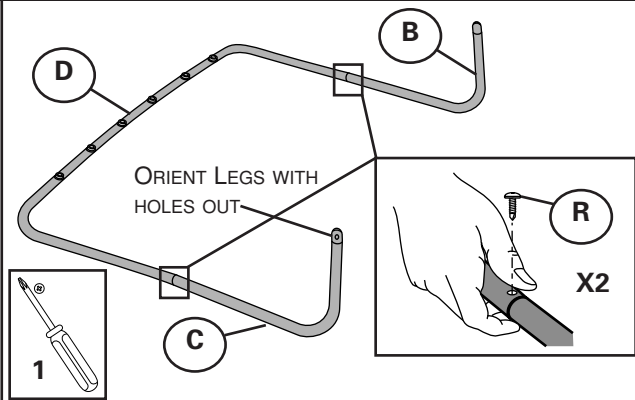


<b>GENUINE ACCESSORIES</b>			
<p>Fabric Top</p>  <p><b>A</b></p>	<p>Quarter Window - Driver's</p>  <p><b>AA</b></p>	<p>Quarter Window - Passenger's</p>  <p><b>BB</b></p>	<p>Rear Window</p>  <p><b>CC</b></p>
<p>Rear Bow Assy. - Driver's Side Section</p>  <p><b>B</b></p>	<p>Rear Bow Assy. - Passenger's Side Section</p>  <p><b>C</b></p>	<p>Rear Bow Assy.</p>  <p><b>D</b></p>	<p>Pivot Bracket - Driver's</p>  <p><b>E</b></p>
<p>Pivot Bracket - Passenger's</p>  <p><b>F</b></p>	<p>Tailgate Mount - Driver's</p>  <p><b>G</b></p>	<p>Tailgate Mount - Passenger's</p>  <p><b>H</b></p>	<p>Door Surround - Driver's</p>  <p><b>I</b></p>
<p>Door Surround - Passenger's</p>  <p><b>J</b></p>	<p>Door Surround Knob</p>  <p><b>K</b></p>	<p>Header Assembly</p>  <p><b>L</b></p>	<p>Center Bow</p>  <p><b>M</b></p>
<p>Side Bow - Driver's</p>  <p><b>N</b></p>	<p>Side Bow - Passenger's</p>  <p><b>O</b></p>	<p>Tailgate Bar</p>  <p><b>P</b></p>	<p>#8 x 1/2" Pan Head Washer Screw</p>  <p><b>Q</b></p> <p>X12</p> 

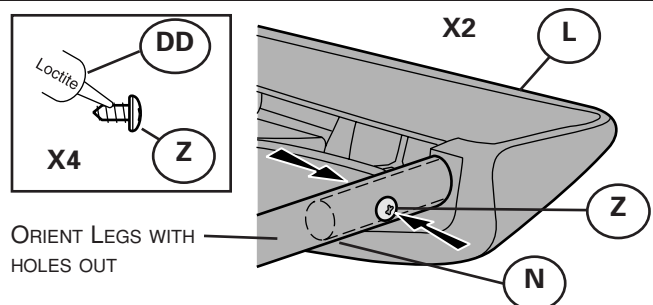


GENUINE ACCESSORIES			
<p>#8 x 1/2" Self Drilling Screw X2</p> <p><b>R</b></p>	<p>Pan Head Screw X14</p> <p><b>S</b></p>	<p>Oval Screw X2</p> <p><b>T</b></p>	<p>Pivot Bracket Bolt X4</p> <p><b>U</b></p>
<p>Pivot Knuckle Bolt X4</p> <p><b>V</b></p>	<p>M5 x 30 Machine Screw X2</p> <p><b>W</b></p>	<p>Bushing X4</p> <p><b>X</b></p>	<p>M5 Hex Nut X2</p> <p><b>Y</b></p>
<p>#12 x 3/8" Tapping Screw X4</p> <p><b>Z</b></p>	<p>.5ml Tube Red Loctite</p> <p><b>DD</b></p>	<p>Rear Window Roll-Up Straps (2 per package)</p> <p><b>EE</b></p>	
<p>Phillips Screwdriver</p> <p><b>1</b> Sizes 1, 2 and 3</p>	<p>Adjustable Wrench</p> <p><b>2</b></p>	<p>T-30 Torx</p> <p><b>3</b></p>	
<p>Drill 1/8"</p> <p><b>4</b></p>	<p>Silicone Sealant</p> <p><b>5</b></p>		

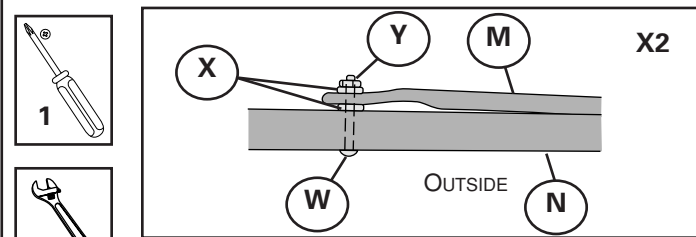
**GENUINE ACCESSORIES**



**1** Orient the legs with the holes in the pivot knuckles toward the outside. Slide the pieces together, aligning the pre-drilled screw holes. Install a #8 x 1/2 Self Drilling Screw, from the parts kit, in each leg.

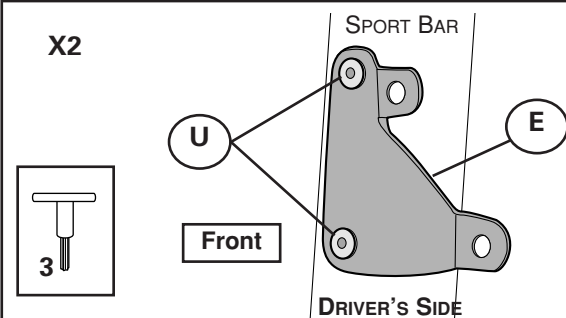


**2** Orient the Side Bows with the holes in the pivot knuckles toward the outside. Slide the other end over the section of tube and into the header. Install the #12 x 3/8" Tapping Screws, one on each side of the bow, on each side of the header (4 screws). Place a drop of Loctite on the threads of each screw before installing.

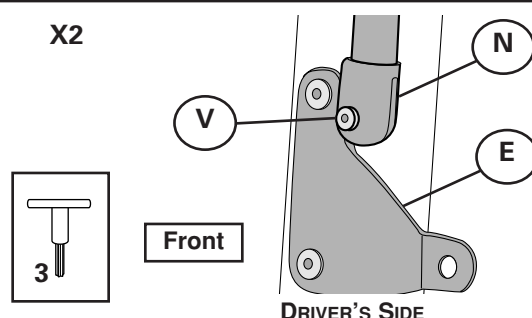


**DRIVER'S SIDE**

**3** Locate the Center Bow Assembly with the fabric Stay Pads attached. Lay the bumpers of the Center Bow on top of the Side Bows and align the holes in the Center Bow with the holes in the Side Bows. Push an M5 x 30 Pan Head Screw through the Side Bow from the outside, install a bushing with the shoulder facing away from the Side Bow, slide the rod of the Center Bow over the screw, install a second bushing with the shoulder facing into the hole in the Center Bow. Install the nut. Tighten the assembly so that the Center Bow is allowed to rotate freely.



**4** Unzip the vertical padded cover over the sport bar and pull the pad away from the bar to expose the bracket location holes. Orient the Pivot Brackets over the existing holes in the sport bar and install them with the Pivot Bracket Bolts (two bolts per bracket).



**5** Install the Side Bow Pivot Knuckles onto the upper flange of the Pivot Bracket. Align the knuckle with the bracket and snap it into place. Install a Pivot Knuckle Bolt.

**GENUINE ACCESSORIES**

**6**

X2

Install the Rear Bow Pivot Knuckle Assemblies onto the lower flange of the Pivot Bracket with the holes in the Pivot Knuckles facing the outside of the vehicle. Align the knuckle with the bracket and snap it into place. Install a Pivot Knuckle Bolt.

**7**

X2

Rotate the front bow assembly forward, laying the header on top of the windshield. Raise the Rear Bow and pull the fabric Stay Pad attached to the Center Bow straight back to the Rear Bow, without twisting. Align the holes in the Stay Pad with the holes in the corner of the Rear Bow. Install #8 x 1/2" Pan Head Washer Screws in the holes on each side.

**8**

X2

Locate the left and right Door Surrounds. Insert the pin in the bottom of the Door Surround into the hole in the belt rail behind the door.

**9**

X2

Press the channels along the top of the Door Surround around the horizontal sport bar, above the door opening. Insert two knobs into the Door Surround and tighten them down.

**10**

X2

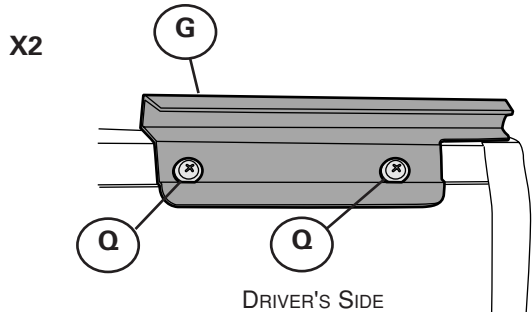
Locate the left and right Tailgate Retainer Mounts. Place the holes in the mounts over the dimples in the vehicle body.

**11**

X4

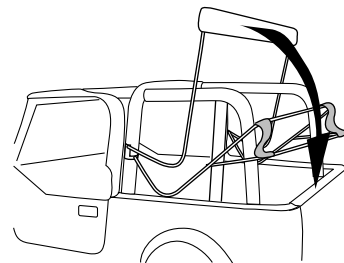
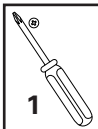
Drill a 1/8" hole at the marked locations. Deburr the holes and seal the edges of the holes with Silicone Sealant.

**GENUINE ACCESSORIES**



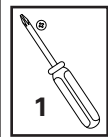
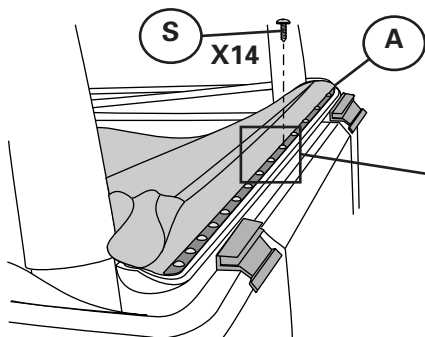
**12**

Install the Tailgate Retainer Mounts with two #8 x 1/2" Pan Head Washer Screws for each mount.



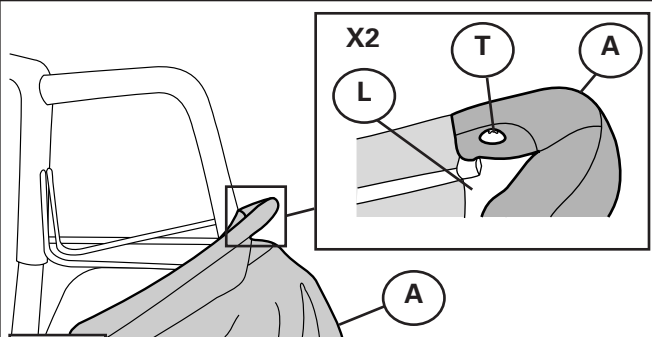
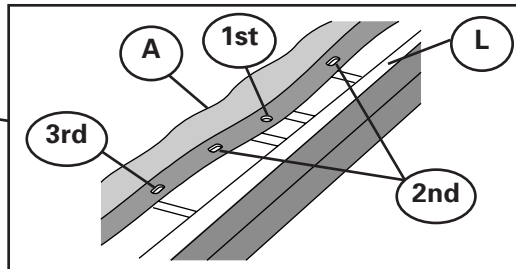
**13**

Fold the bows and the header down on the rear of the vehicle.



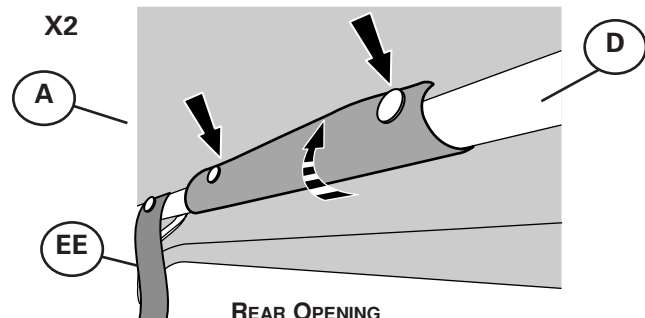
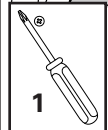
**14**

Lay the Top, backing side up in the rear of the vehicle with the plastic strip facing up and aligned with the front edge of the header. Locate the round hole that marks the center of the plastic strip (all other holes are slotted). Install a Pan Head Screw in the round hole to secure the fabric to the header as well as to center the top. Then proceed to install screws in the rest of the fourteen holes along the front of the header.



**15**

Flip the fabric over so that it wraps around the header and drape the top fabric over the tailgate. Raise the header slightly and work the pockets in the fabric over the corners of the header. Install an Oval Head Screw in each corner to secure the fabric to the header.



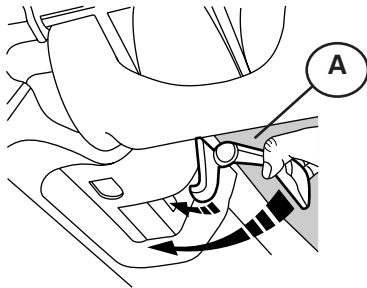
**16**

Raise the header and bow assembly toward the windshield and into position.

Inside the top, snap the fabric to the Rear Bow (four snaps). Snap the Rear Window Roll-Up Straps to the outer snap on the bow on each side.

**GENUINE ACCESSORIES**

X2

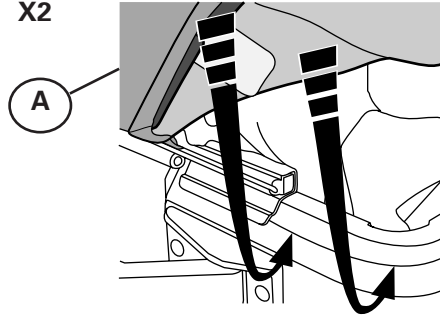


VIEW FROM INSIDE VEHICLE

Close the header latches to secure the front of the top to the windshield. Catch the hook in the slot in the windshield frame and then close the lever over it so that it lays flat against the windshield frame.

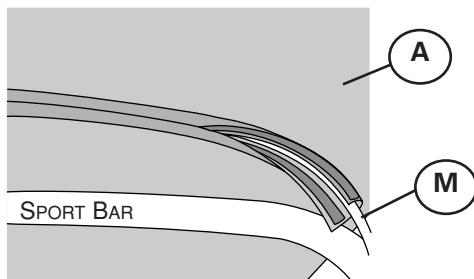
**17**

X2



Make sure that the Center Bow is centered in the hook and loop flap inside the top. Do not fasten the flap at this time. Pull down on the Rear Bow and work the plastic sewn to the rear corners of the top into the retainer on the vehicle.

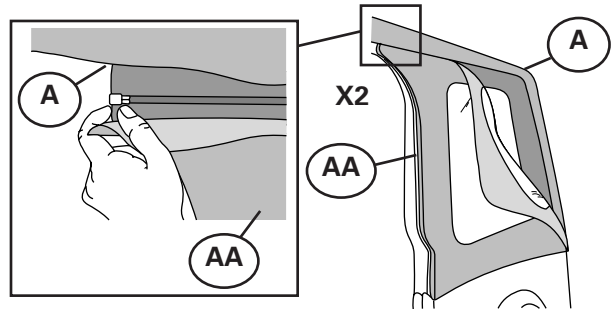
**18**



VIEW FROM INSIDE VEHICLE

Wrap the hook and loop flap inside the top around the Center Bow and fasten it to itself.

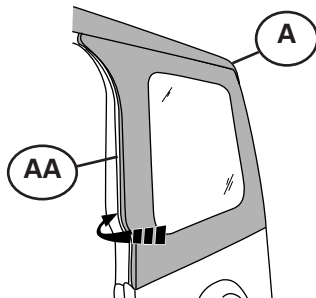
**19**



Locate the left and right Quarter Panels and orient them with the zipper along the top and rear of the panel. Start the zipper at the front top corner of the Quarter Panel, next to the door. Hold the end of the zipper and close the zipper slider 10" - 12" along the top of the panel.

**20**

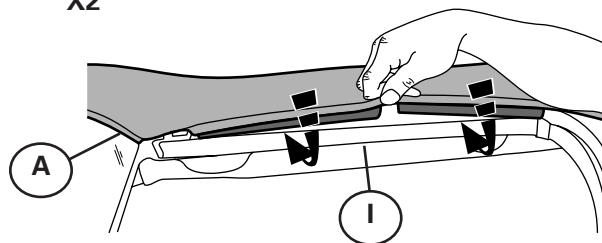
X2



Roll the plastic along the front of the Quarter Panel into the channel of the Door Surround on the vehicle.

**21**

X2

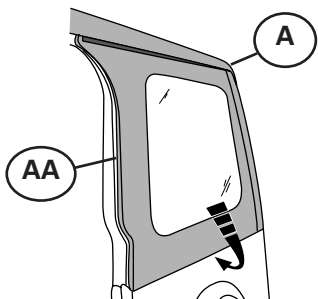


Roll the two plastic strips above each door opening into the channel in the Door Surround on each side of the vehicle.

**22**

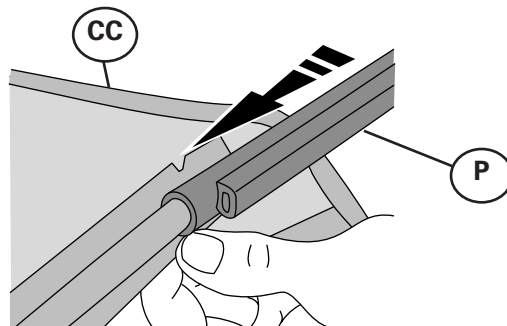
**GENUINE ACCESSORIES**

X2



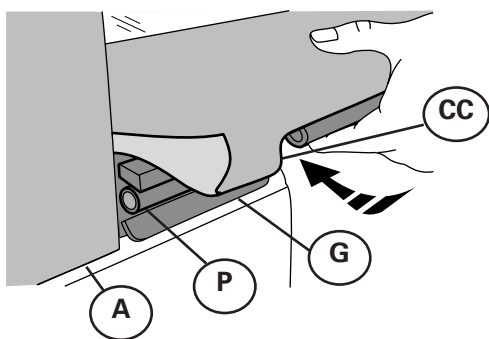
Close the zippers on the Quarter Panels the rest of the way. Start at the rear and roll the plastic on the bottom of the panel into the retainer on the vehicle. Fasten the hook and loop strips along the top and rear of the panel to the Top.

**23**



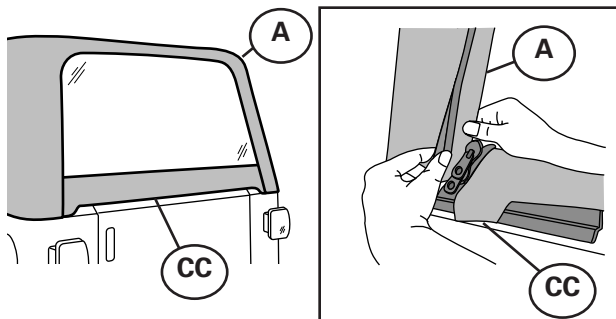
Slide the "C" channel on the Tailgate Retainer onto the tubed strip sewn to the Rear Window.

**24**



Insert the Tailgate Bar into the Tailgate Mounts on each side of the tailgate opening.

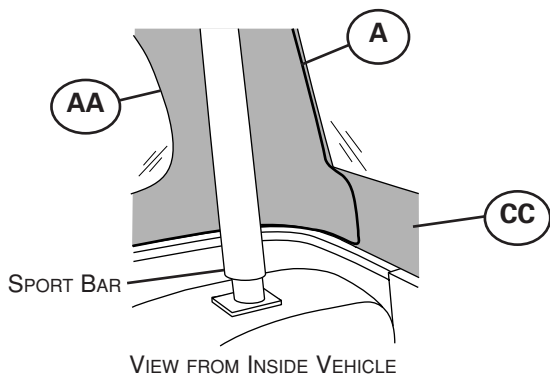
**25**



To start the zipper, pull the two sliders as far down as possible on the driver's side of the window in order to catch the sliders to the pin. Once the zipper is caught, start the top slider 1/2". Then hold up the top of the window with one hand and close the zipper with the other. The zipper is sandwiched between layers of fabric in the corners so be careful not to catch extra fabric in the zipper. Close the zipper.

Make sure that the Tailgate Bar is centered and is securely in the mounts. Then tuck the flaps on the Rear Window under the top fabric.

**26**



Inside the top locate the flaps sewn to the top on each side of the rear window opening. Pull the flaps over to cover the zipper and tuck them in.

**27**