



# Mopar

PARTS

© DAIMLERCHRYSLER

## ACCESSORIES • CARRIER PKG, SKI-SPARE TIRE MOUNT • MOPAR PN: 82207643

### SKI RACK, SPARE TIRE MOUNT

Fits: Jeep Wrangler, Jeep Wagoneer and Jeep Cherokee vehicles with factory installed rear mounted spare tires.

Your new Rear Mounted Spare Tire Ski Rack is specially designed to be easily installed to your spare tire mount, and is built with the quality materials and workmanship you expect. The rack comes completely assembled, you only need to position the mounting plate behind the spare tire assembly and secure the rack to the mounting plate with a single bolt. Two special security features allow you to lock (padlocks not included) your equipment to the rack, and your rack to your vehicle. This rack is designed to securely transport up to pairs of skis or three pairs of skis plus poles. Follow instructions for proper installation and safe operation.

**Important:** Read ALL instructions thoroughly before proceeding with installation or use.

## INSTRUCTIONS FOR INSTALLATION AND USE

### INSTALLATION TOOLS REQUIRED:

- Your tire lug wrench
- 15/16 wrench or socket wrench

### BILL OF MATERIAL

ITEM #	QTY	PART #	DESCRIPTION
1	1	02.5009.000.11	FRAME ASSBLY, CARRIER, SKI
2	1	02.5010.000.11	MOUNTING PLATE ASSEMBLY
3	1	02.5011.000.11	LOCKING BOLT
4	1	53.0050.000.02	WASHER, NYLON, THRUST
5	1	11.0266.000.11	ARM SWING LATCHING
6	1	18.0067.000.51	HANGER, VINYL COATED
7	1	52.0082.000.00	NUT, NYLOCK, 15-16 X 18
8	1	33.0277.000.01	STRAP, RETAINER
9	1	55.0029.000.20	PIN, HINGE
10	1	53.0051.000.00	RETAINER CLIP, HINGE PIN

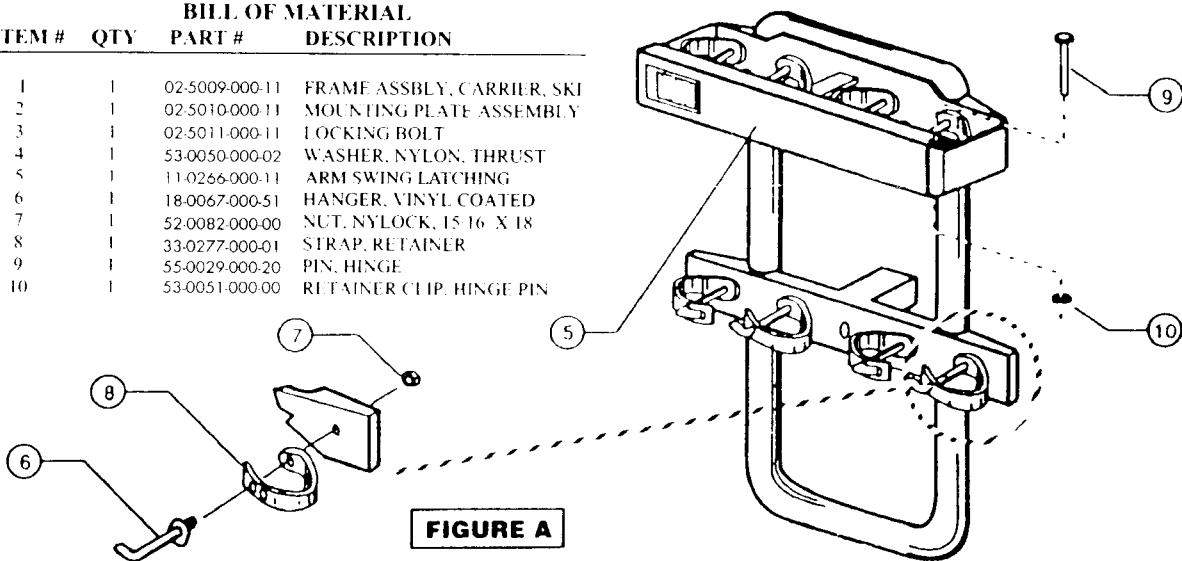


FIGURE A

### BEFORE INSTALLING YOUR REAR MOUNT SKI RACK

**CAUTION:** Be sure to follow your vehicle owner's manual for proper detachment and re-attachment of your rear mounted spare tire before proceeding with the SKI RACK installation.

## Installing the Spare Tire Mounted Ski Rack

**NOTE:** See FIGURE B exploded view drawing for reference.

1. Remove your spare tire from the tire mounting bracket according to your vehicle owner's manual. This will involve the removal of three (3) lug nuts; set these aside for re-mounting your tire.
2. Mount the Rack Mounting Plate (Item 2, Figure B) onto the three lug bolts which hold your tire onto the tire box. Make sure the mounting plate sits flat against the tire mounting box on your vehicle.
3. Replace spare tire being sure the center tube of the mounting plate (Item 2) fits through the center of the spare tire wheel. **Note:** Some spare tires require the removal of the center plastic decorative hub.

## Instructions for Use

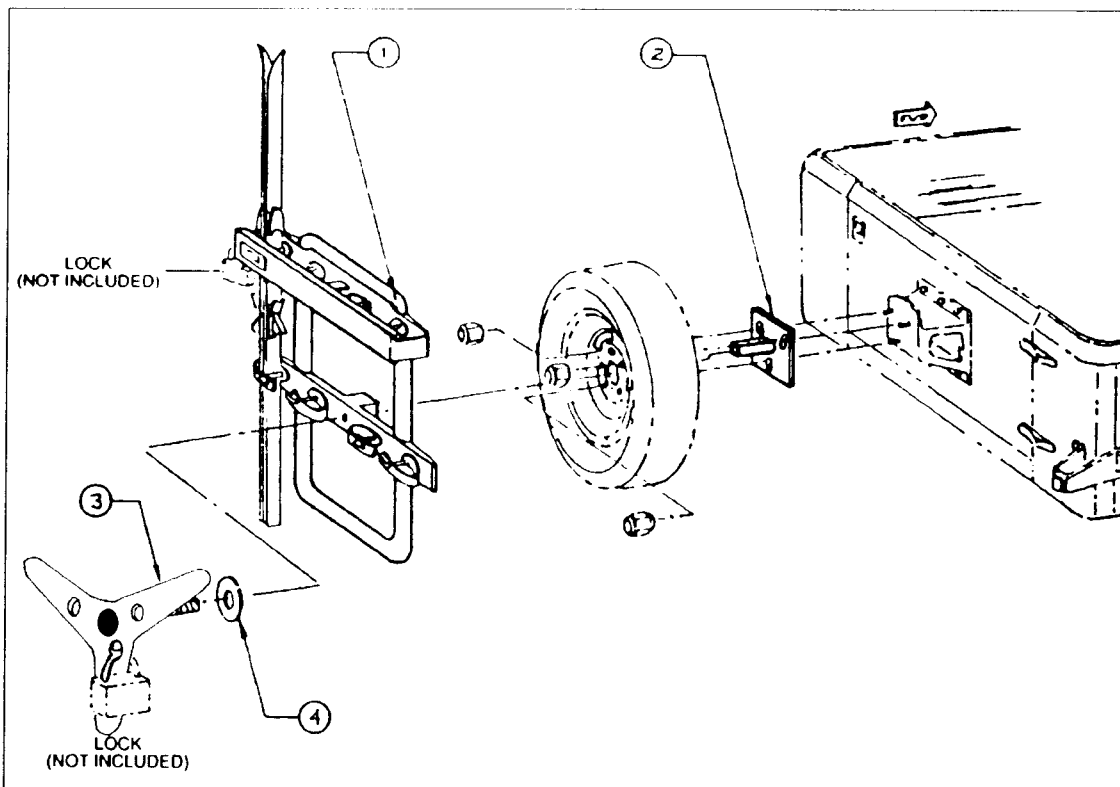
STORE THESE INSTRUCTIONS IN YOUR GLOVE BOX FOR FUTURE REFERENCE.

**CAUTION:**

Periodically check all rack and spare tire mounting bolts. If loose, retighten per #6 above before driving vehicle or using rack.

**NOTE:** See FIGURE B below (exploded view drawing) for reference.

- A. Load Skis with toe bindings resting on **TOP** of the **UPPER HANGERS**. The latching bar will secure your skis only if the toe binding is above, and the heel binding is below the closed latch bar.
- B. Secure the retainer straps by stretching around the skis and latching one of the two holes on the strap over the hook end of the hangers (Items 8 and 9, Figure A) being sure skis are securely held by the straps.
- C. Although the slam bar will retain your skis, it is recommended that you use a padlock for added security against accidental opening or loss of your skis. A locking hole has been provided near the thumb latch.
- D. Happy Skiing!



**FIGURE B**