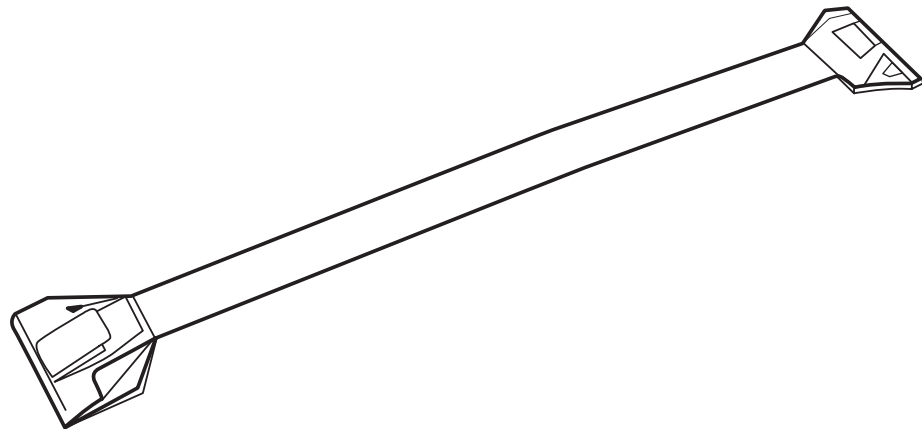
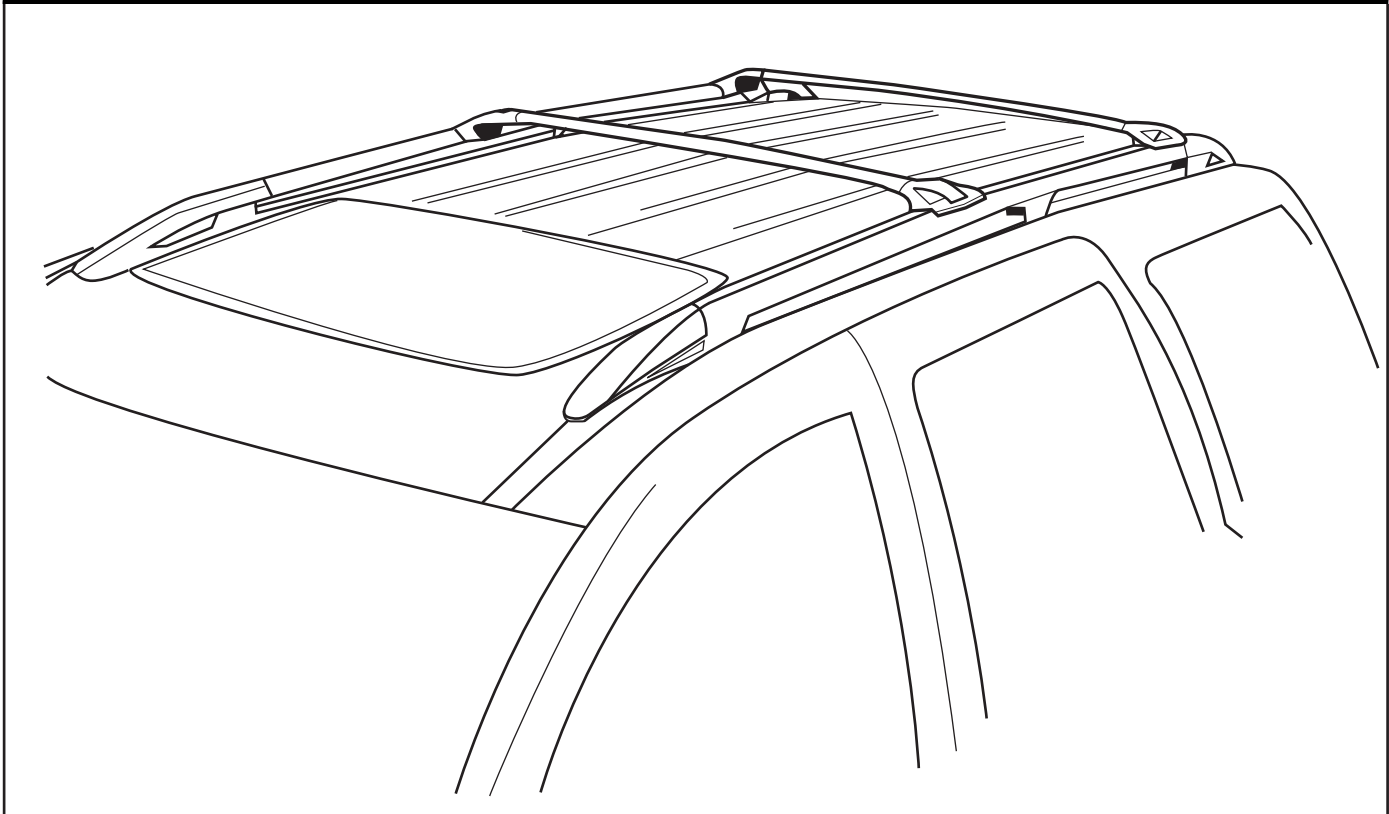




Mopar[®]

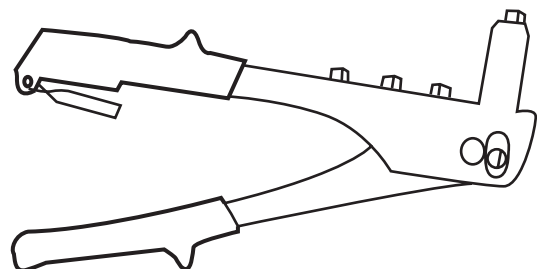
PARTS

© DAIMLERCHRYSLER

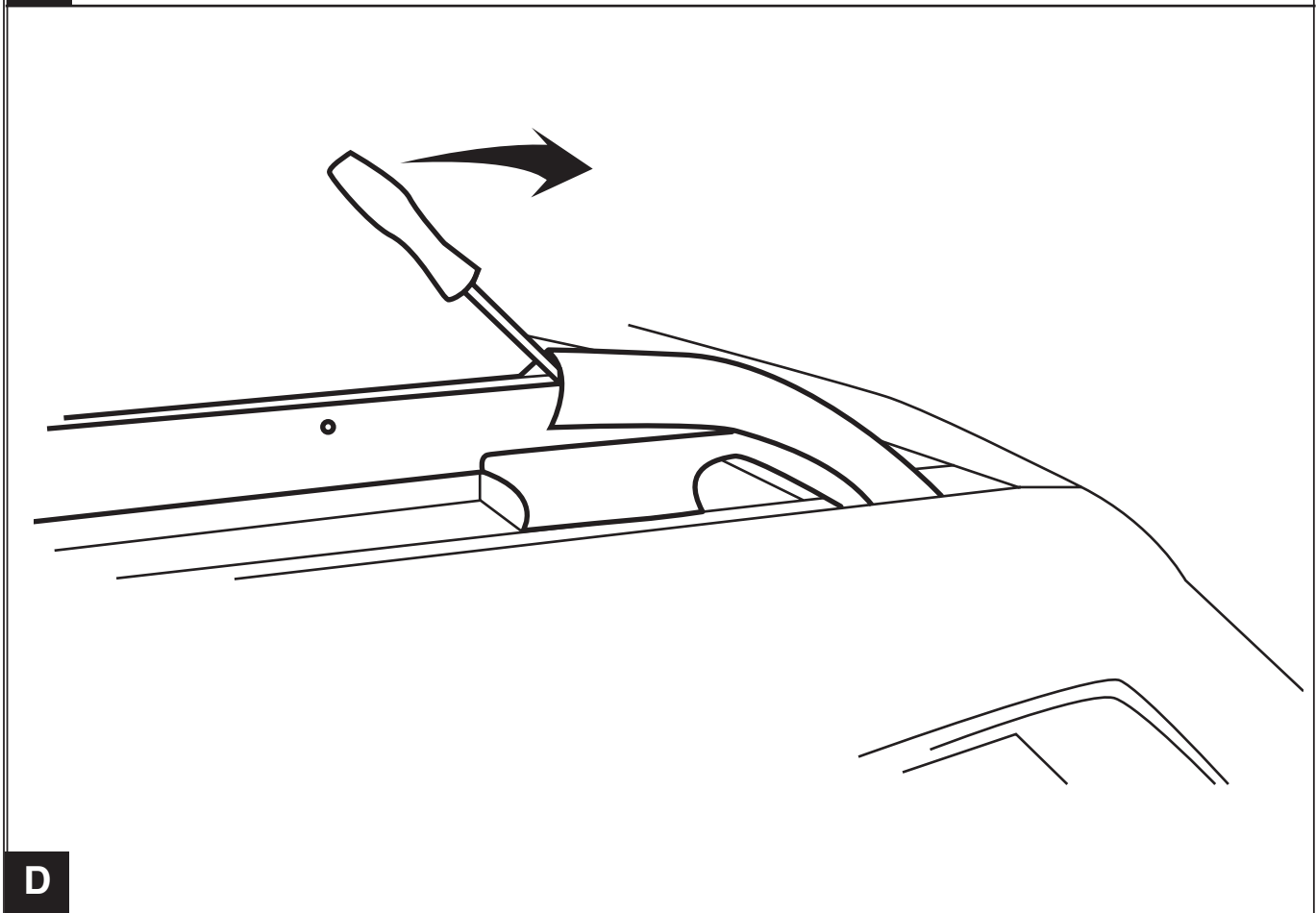
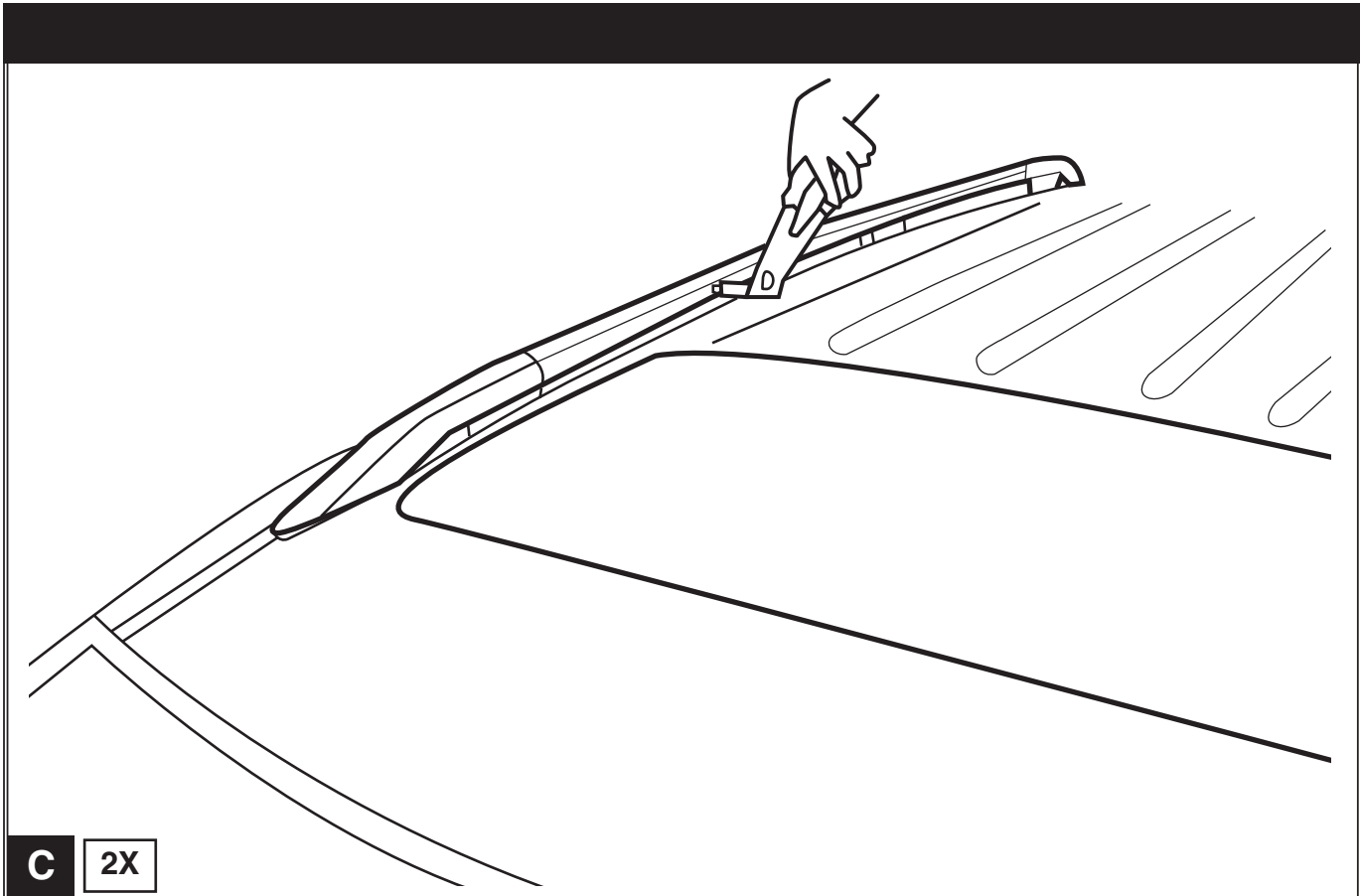


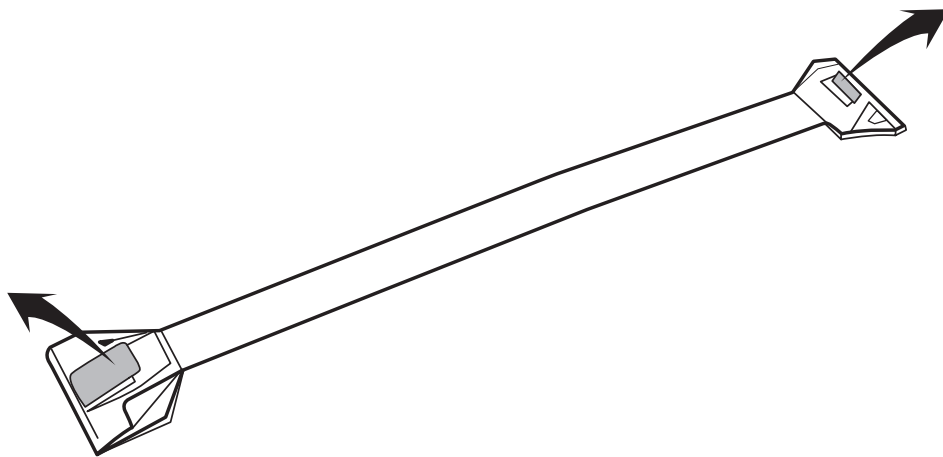
A

2X

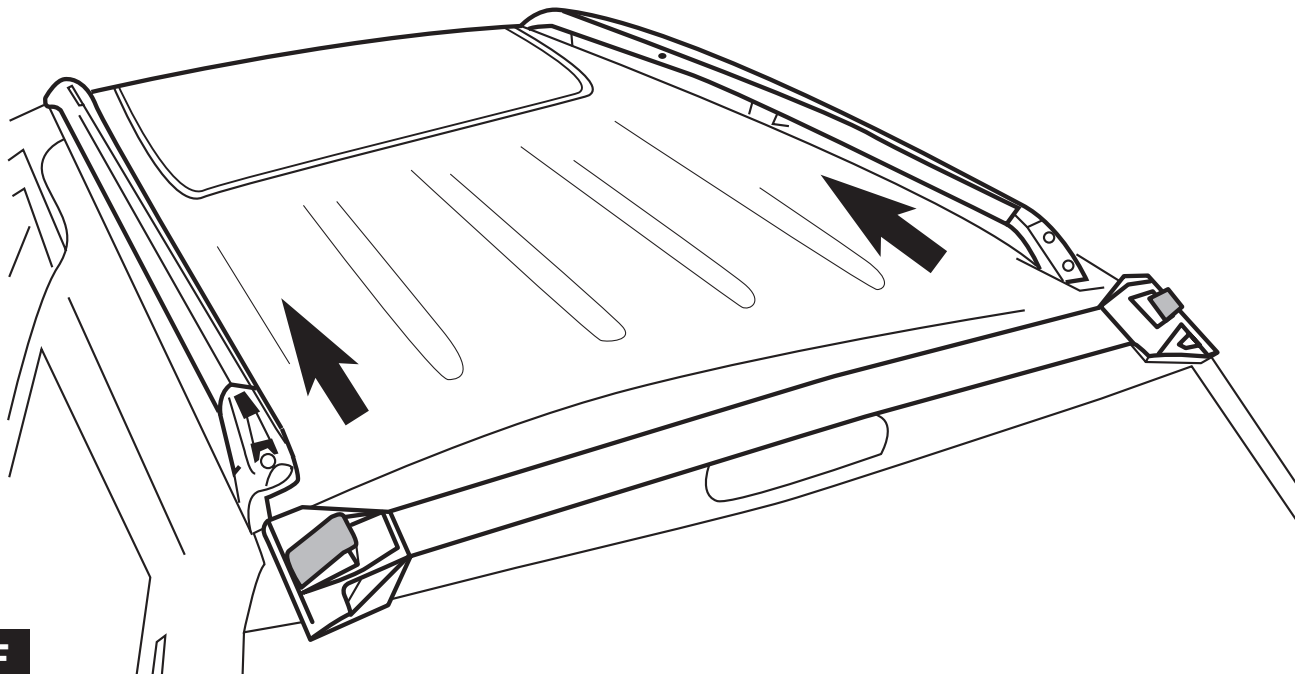


B

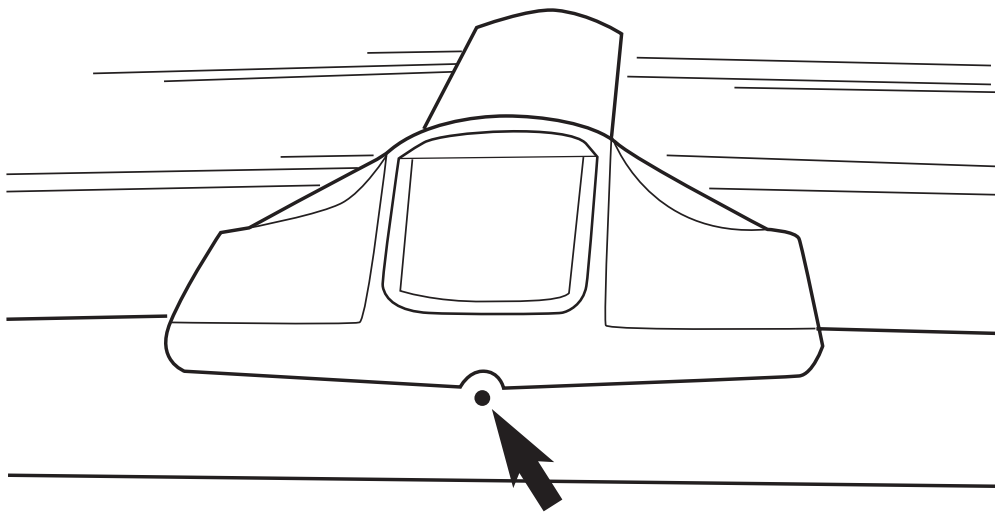




E



F



G

