



Molded Fender Gaurd

JEEP / Wrangler, Part # 82202161

Package Contains:

2 Fender Gaurds and hardware pack.
(4 screws, 4 nylon spacers, 10 bumpers, alcohol pad)

Tools Needed:

#15 Torx Driver, Phillips Screwdriver

Installation Instructions

Please read carefully and completely before starting.

1. Clean fenders of vehicle with hot soapy water, rinse and dry thoroughly.
2. Locate where the bumpers need to be installed per **figure 1**. Clean these locations with alcohol pad provided. Adhere a bumper in each location and press bumper firmly in place.

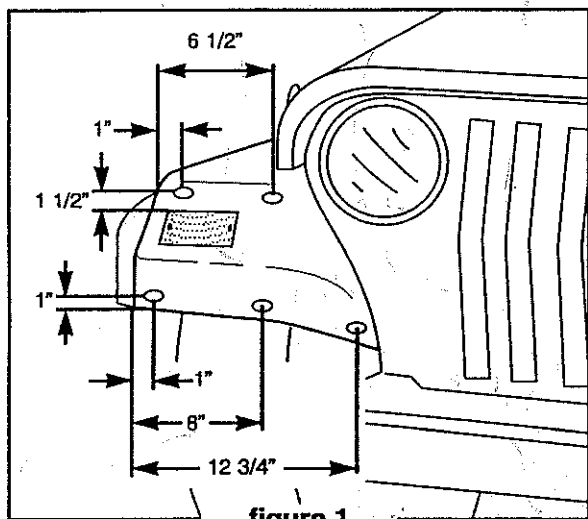


figure 1

3. Remove the Torx screws holding the turn signal light on.

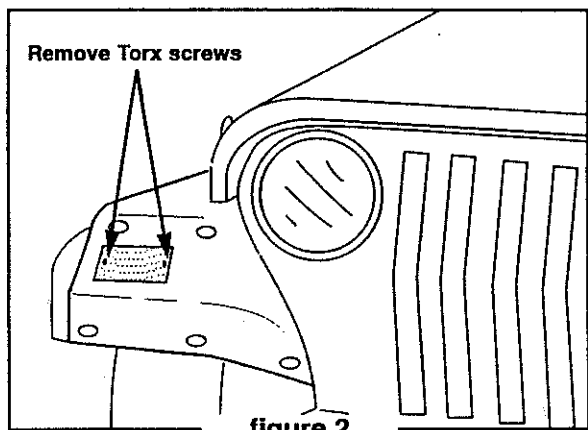


figure 2

4. Hook bottom edge of the fender gaurd around the bottom edge of the fender.
5. Attach fender gaurd in place using the provided screws and spacers. Put the screw through the hole in the fender gaurd, through the spacer and into the mounting hole of the turn signal light. As shown in **figure 3**.

Note: Turn signal is behind the fender gaurd and nylon spacer.

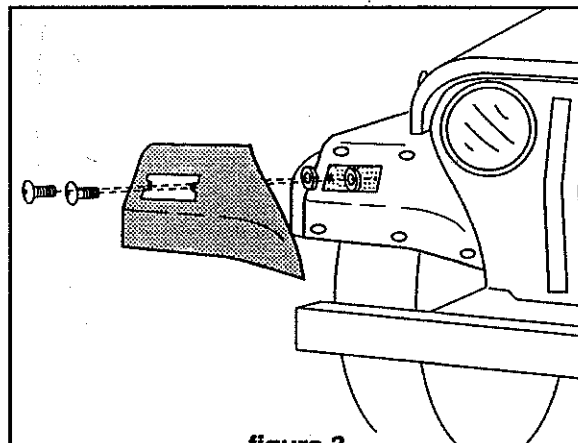


figure 3

Care & Cleaning

1. Avoid the use of automatic "brush-style" car washes.
2. Do not use cleaning solvents of any kind.
3. To wash, use only a mild soap and dry with a cleancloth or sponge.