



Molded Bug Deflector
JEEP / Wrangler, Part # 82202160

Package Contains:

Shield, bumper location template, and hardware pack.
(4 screws, 4 rubber washers, 4 bumpers, alcohol pad)

Tools Needed:

Drill, 1/8" drill bit, phillips screwdriver, tape measure,
felt tip pen or marker, and masking tape.

Do not use a power screwdriver.

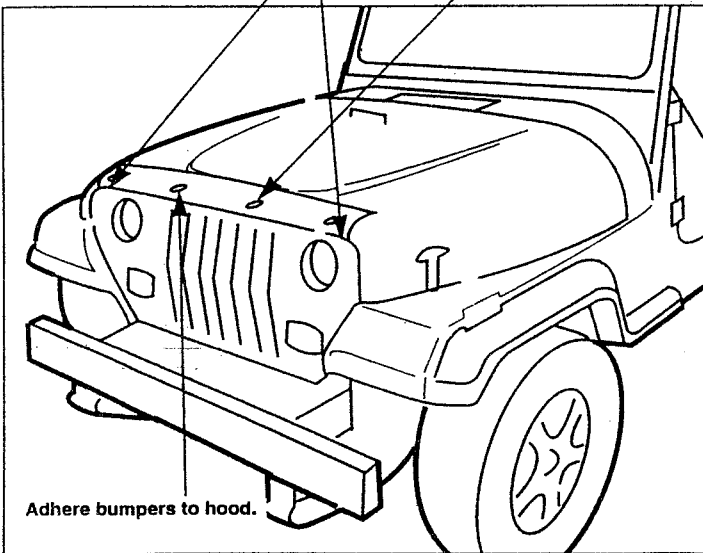
Installation Instructions

Please read carefully and completely before starting.

1. Clean hood of vehicle with hot soapy water, rinse and dry thoroughly.
2. Align the bottom of the bumper location template with the bottom edge of the hood, center the template from side to side, then tape to hood with masking tape. The template may wrinkle along the top edge. Using the alcohol pad provided clean each cut-out location on the template. Adhere bumpers to hood at each cut-out location and press firmly in place.

Align template at bottom edge of hood and center from side to side.

Clean cut-out locations with alcohol pad.



Adhere bumpers to hood.

Note: For best results, mount bumpers when outdoor or garage temperature is above 50 degrees.

Caution: Failure to properly locate and install bumpers could result in hood damage.

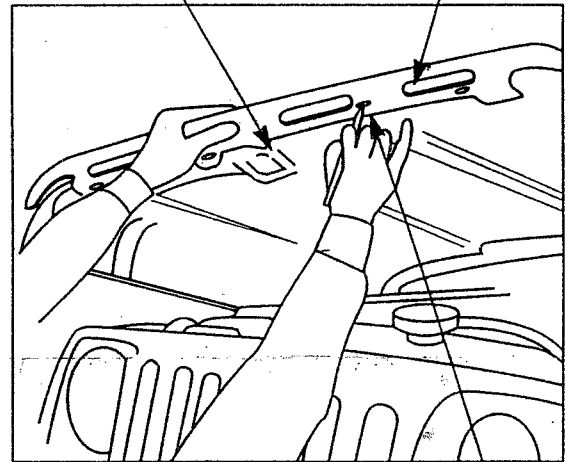
3. Raise hood of vehicle. Use the tape measure to locate the center of your hood and mark on the underside of the front edge of hood.

Note: To assure proper alignment, you may find it helpful to have assistance with step 4.

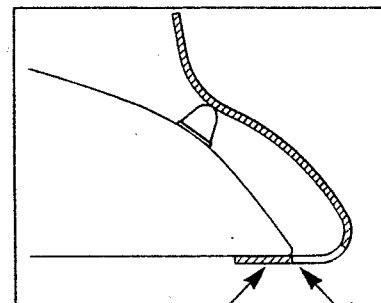
4. Place shield on hood, lining the center tab of shield with the center mark location on under side of hood. Holding the shield in the centered position, align the back edge of the air vents with the front edge of the hood. The tab area of shield should be flush with the underside of hood. Outline all the slotted mount holes.

Align center tab on shield with mark on hood.

Align back edge of air vent with the front edge of hood.



Outline the slotted mount holes.

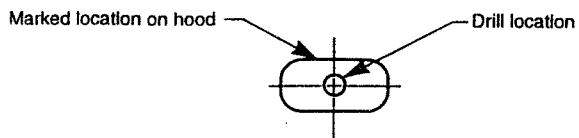


Tab area of shield flush with underside of hood.

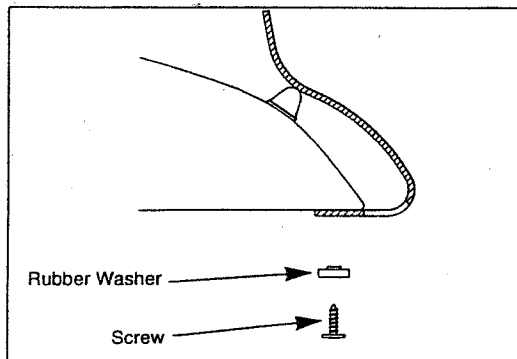
Align back edge of air vent with the front edge of hood.

5. Remove shield and drill the center of the marked mount locations. Use a 1/8" drill bit.

Caution: Drill through the stiffener panel only.



6. Position the shield on the hood and fasten (snug but not tight at this time) with the rubber washer and screw provided.



Note: The slotted mount holes allow for lateral adjustment and equal clearance.

7. Lower hood to the latched position. Perform a clearance check by measuring the distance between the shield and the hood on each side. Adjust the shield so the clearance is equal on both sides. Release hood and tighten the mounting screws firmly.

Do not overtighten.

Caution: Carefully close hood after the shield has been installed. If the clearance is too tight between the shield and grill, hood and/or grill adjustment may be required. Consult your owners manual or your dealer concerning hood and grill adjustment.

Care & Cleaning

1. Avoid the use of automatic "brush-style" car washes.
2. Do not use cleaning solvents of any kind.
3. To wash, use only a mild soap and dry with a clean cloth or sponge.
4. Do not pull on shield to close hood.