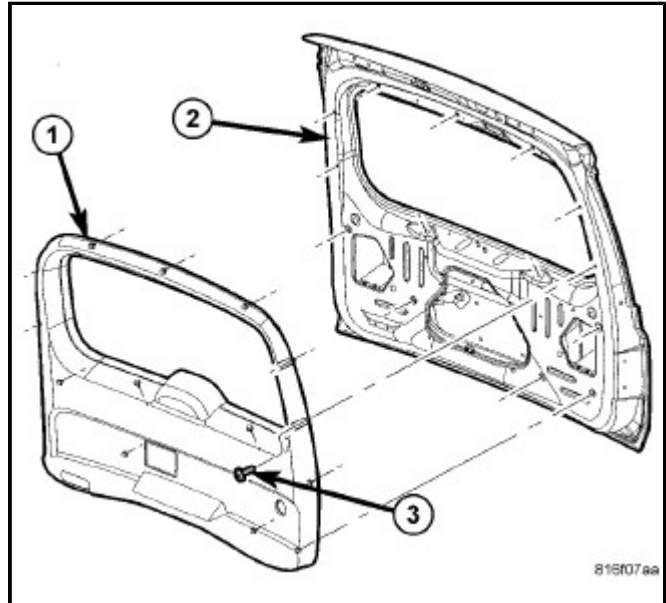
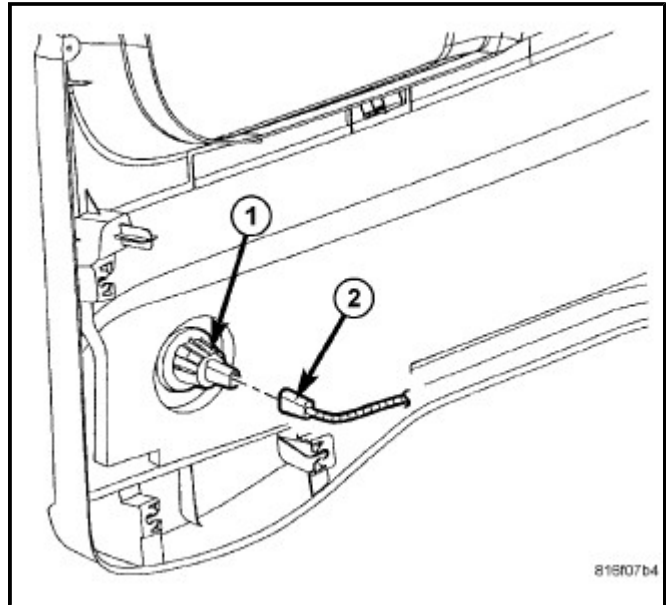


Removal - Commander liftgate trim

1. Disconnect and isolate the battery negative cable.
2. Remove the five screws (3).
3. Using a trim stick or another suitable wide flat-bladed tool, carefully pry the trim panel away from the inside of the liftgate to release the push-pin plastic fasteners that secure the panel (1) to the liftgate (2).

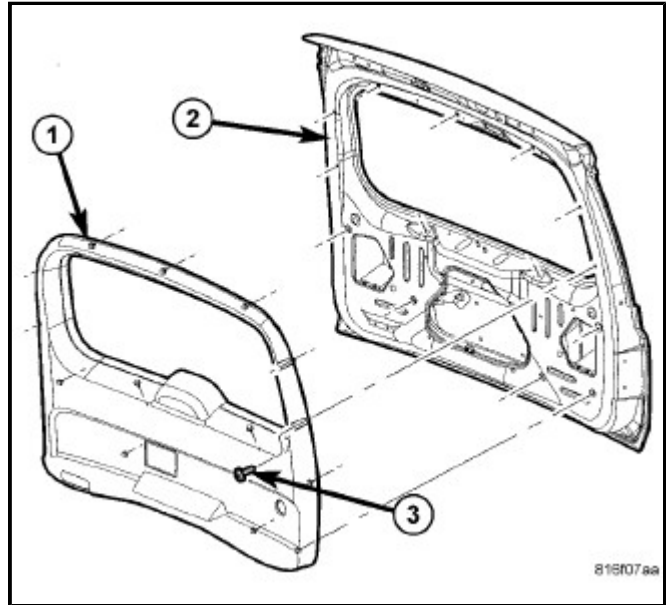


4. Disconnect the lamp from the lower liftgate trim panel.
5. Remove the liftgate lower trim panel from the vehicle.

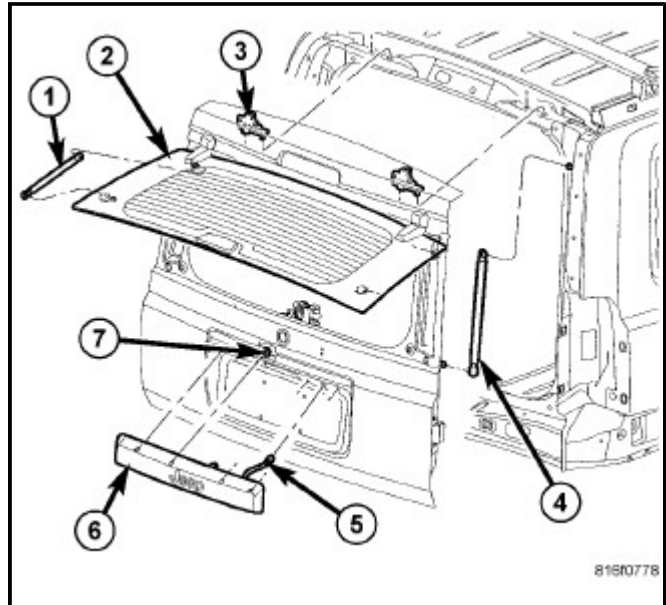


RYa cj U'!7 ca a UbXYf ~]Z[UhY\ UbX'Y

1. Disconnect and isolate the battery negative cable.
2. Remove the trim panel from the inside of the liftgate.
3. Remove the liftgate watershield.

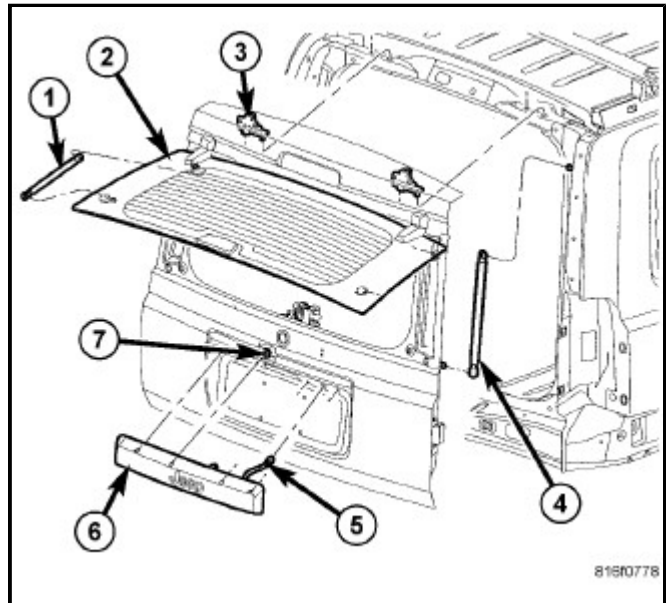


4. Disconnect the electrical connector of the latch handle (5) on the inside of the liftgate.
5. Disconnect actuator cable from latch handle.
6. Reach through the clearance hole in the inside of the liftgate panel on each side of the latch to access and remove the two nuts (7) that secure the handle to the liftgate.
7. Reach through the clearance hole on the inside of the liftgate, squeeze clips and remove the latch handle (6).

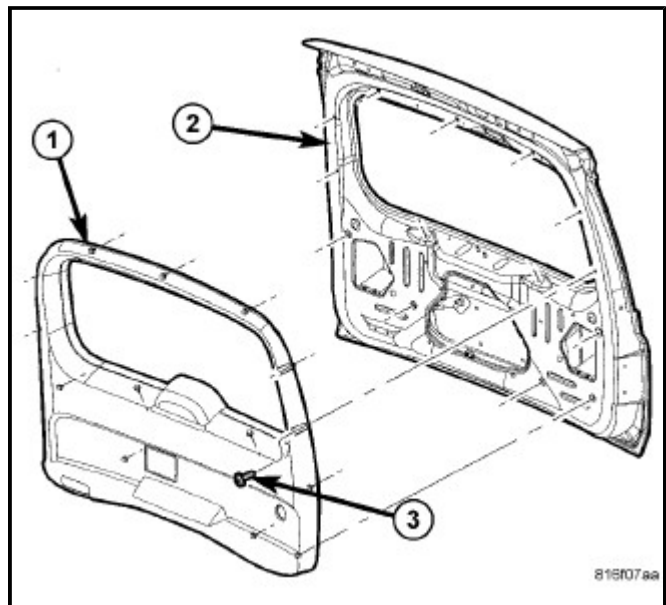


Installation - Commander liftgate handle

1. Position the latch handle (6) onto the outside of the liftgate and seat the wiring grommet.
2. Seat the latch cable clips.
3. Working through the clearance hole in the inside of the liftgate panel, install the liftgate release cable bracket and install the nuts (7).
4. Tighten the nuts to 6 N·m (55 in. lbs.).
5. Connect the latch cable to the handle.
6. Connect the electrical connector of the latch handle on the inside of the liftgate.

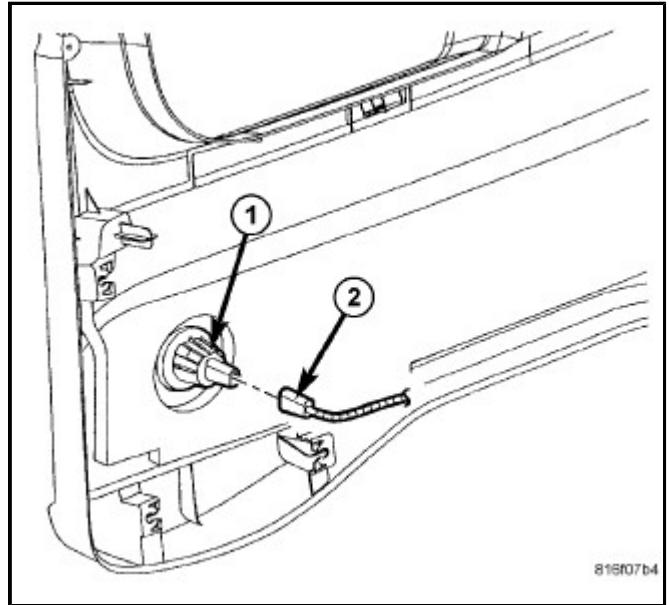


7. Install the watershield.
8. Install the lower trim panel onto the inside of the liftgate.
9. Connect the battery negative cable.



Installation of the liftgate trim panel

1. Check to be certain that the push-in plastic fasteners are properly installed and in good condition on the inside of the trim panel.
2. Connect the courtesy lamp (1) electrical connector (2)



3. Using hand pressure, press firmly and evenly on the trim panel (1) over each of the push-in plastic fastener locations until the fasteners are fully engaged in the holes on the inside of the liftgate.
4. Install and tighten the five screws (3) that secure the trim panel to the inside of the liftgate.
5. Connect the battery negative cable.

