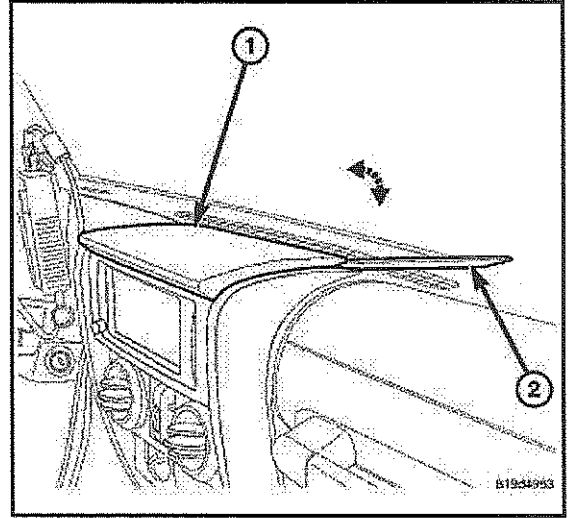


## REMOVAL

Using a trim stick C-4755 or equivalent (2), release the clips in the rear of the upper trim (1).



Rotate the upper trim (2) back and release the front (1).

